

DH-PFB201C

In-ceiling Mount Bracket



Features

- Aesthetic design
- In-ceiling Mount Bracket
- Material: SECC & PC

Camera Mount Series | DH-PFB201C

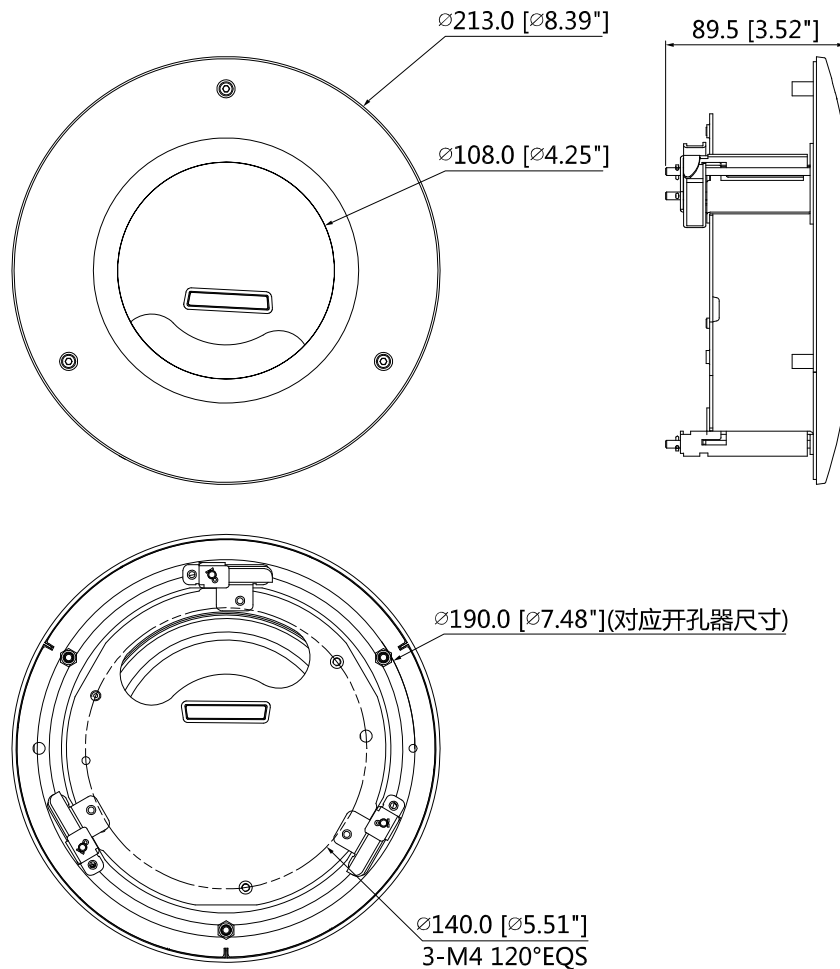
Technical Specifications

Model	DH-PFB201C
General	
Material	SECC & PC
Dimension	Φ213mmx89.5mm (Φ8.39"x3.52")
Inch Thread	G3/4"
Operating Temperature	-40°C~+60°C (-40°F ~+140°F)
Humidity	0~90% RH
Load Bearing	1.5kg (3.31lb)
Weight	0.61kg (1.34lb)
Color	White
Applicable Model	Please see "Accessory Selection"

Order Information

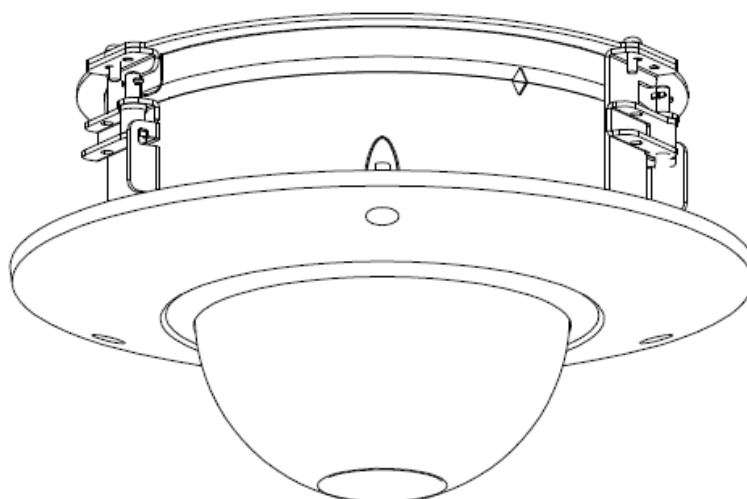
Type	Part Number	Description
Camera Mount	DH-PFB201C	In-ceiling mount bracket
	PFB201C	In-ceiling mount bracket

Dimensions (mm/inch)



Camera Mount Series | DH-PFB201C

Application



Package Information

- In-ceiling mount bracket *1
- M4 screw *3
- Wrench *1