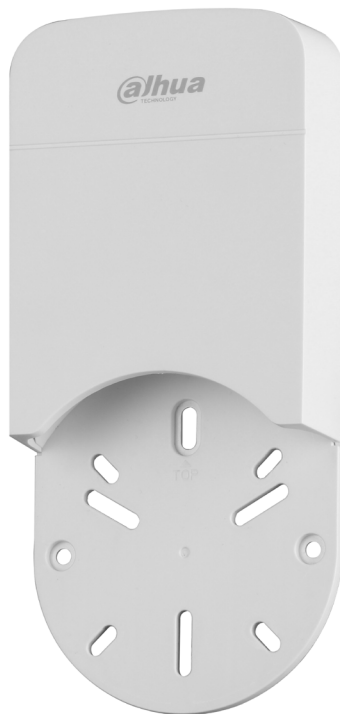


DH-PFA12A

Plastic Junction Box



Features

- Material: weatherability and nondiscolouring PP
- Structural water-proof design
- Hidden line design, can place video balun with HDCVI/AHD/TVI/CVBS cameras
- Aesthetic design

Camera Mount Series | DH-PFA12A

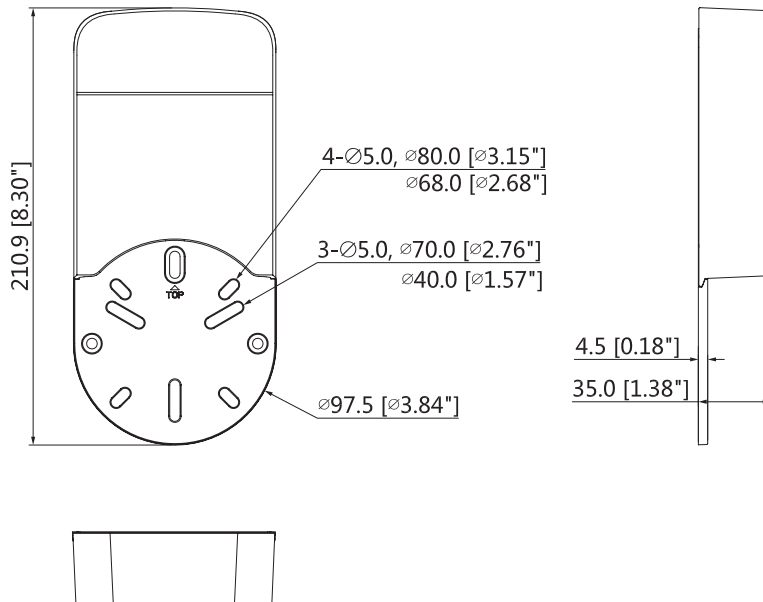
Technical Specification

| | |
|-----------------------|---|
| Model | DH-PFA12A |
| General | |
| Material | PP |
| Dimension (WxHxD) | 210.9mmx97.5mmx35mm (8.3"x3.84"x1.38") |
| Weight | 0.1kg (0.22lb) |
| Color | White |
| Operating Temperature | -40 °C ~+60 °C (-40 °F ~+140 °F) |
| Humidity | 0~90% RH |
| Installation | Wall mount |
| Applicable Model | Please see "Accessory Selector" on www.dahuasecurity.com |

Ordering Information

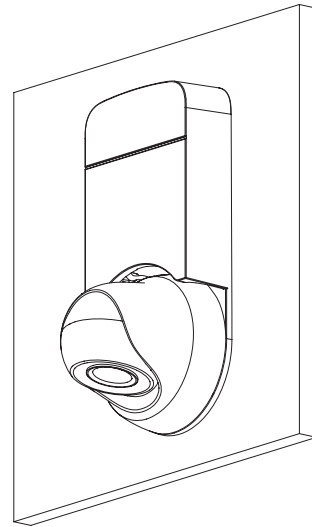
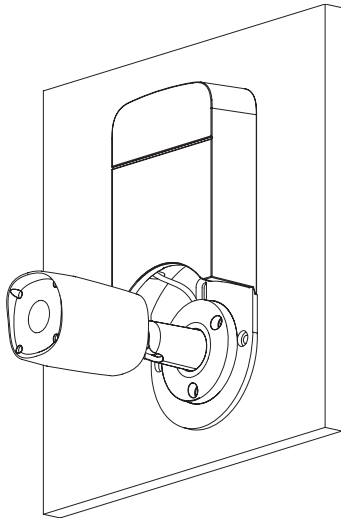
| Type | Part Number | Description |
|---------------------|-------------|----------------------|
| Camera Mount Series | DH-PFA12A | Plastic junction box |
| | PFA12A | Plastic junction box |

Dimension(mm/inch)



Camera Mount Series | DH-PFA12A

Application



DH-PFA12A+box camera



DH-PFA12A+eyeball camera

Package Information

- Plastic junction box DH-PFA12A *1
- M4 screw *1
- ST4 screw *1
- Plastic anchor *1
- Mounting sticker *1
- Nylon cable ties with self-locking *3