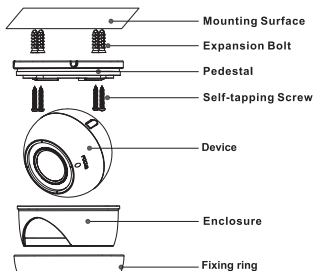
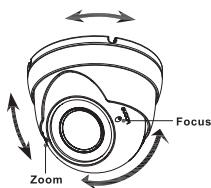


# Quick Installation Guide V1.0.0

 NOTE

- Please make sure the mounting surface is strong enough to hold at least three times of the camera weight.
- For wooden mounting surface, expansion bolts are optional.

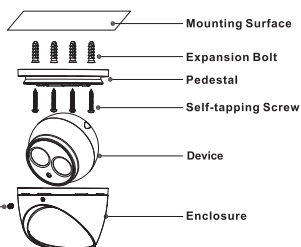
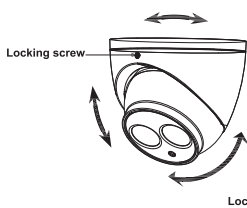
## Model A



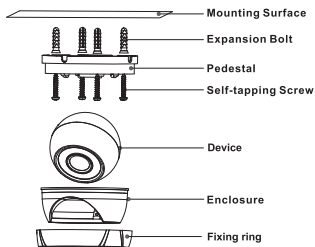
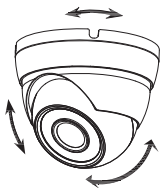
 NOTE

You can adjust zoom and focus with a screwdriver.

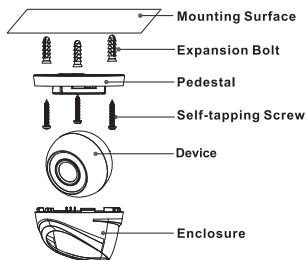
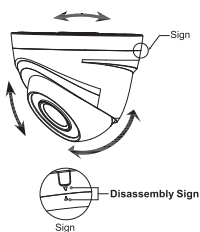
## Model B

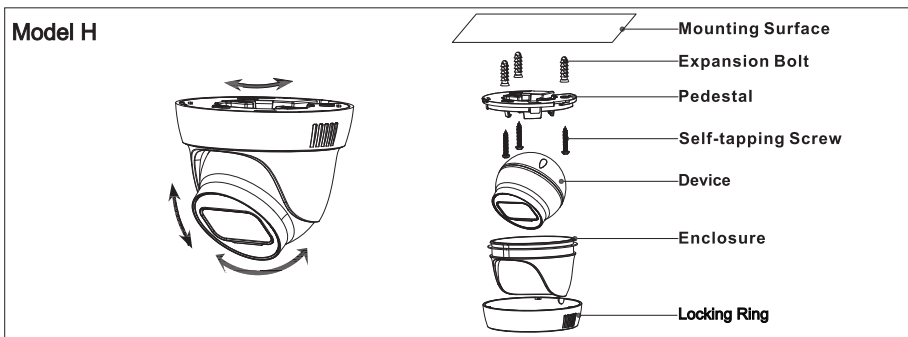
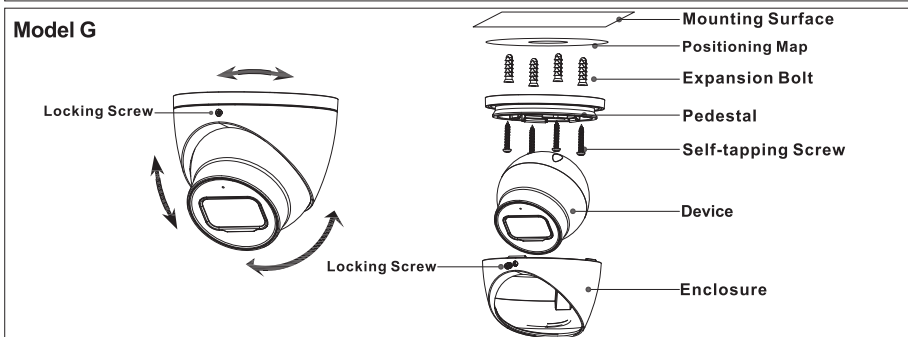
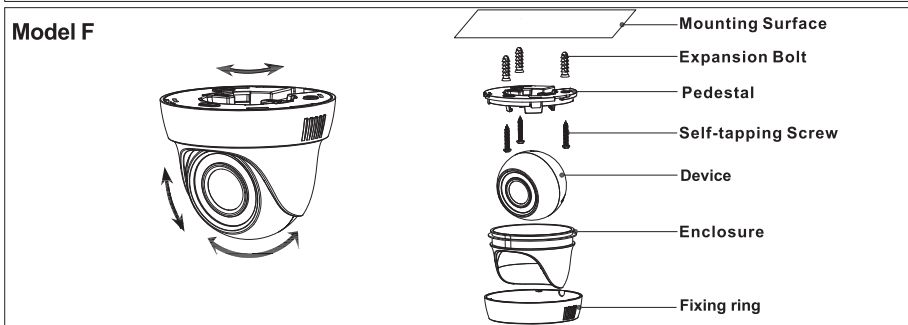
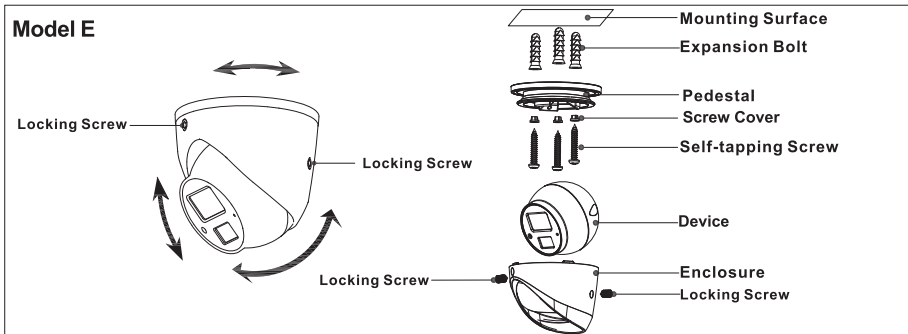


## Model C



## Model D





**NOTE**

This manual is for reference only. Please visit our website or contact your local service engineer for more information.