



YLI ELECTRONIC



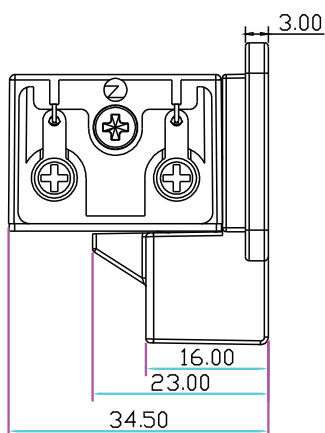
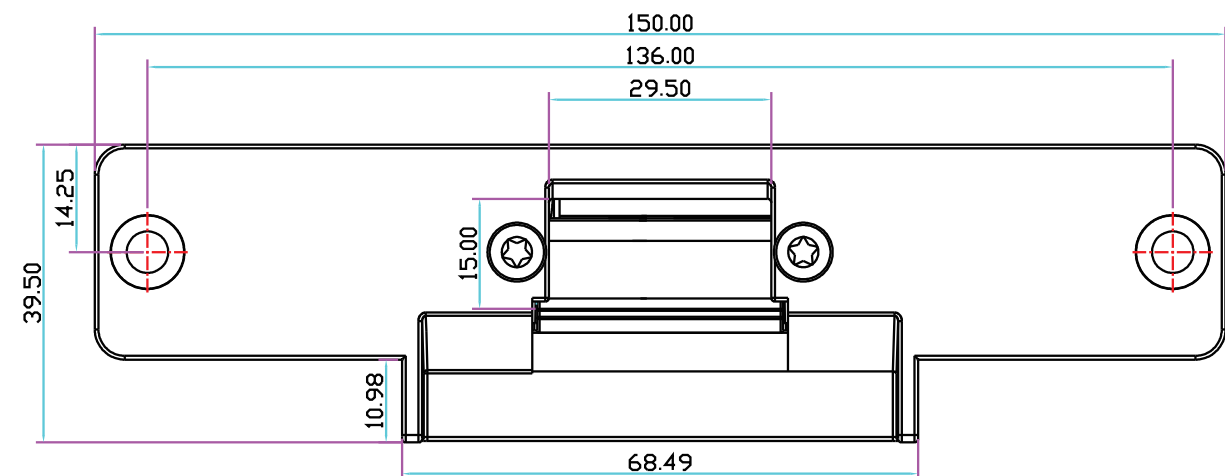
Standard-type Electric Strike

Model: YS-130NO/NC

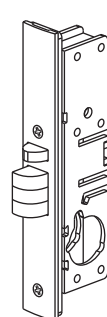
Specification

Size	150Lx39.5Wx34.5H(mm)
Voltage	12VDC
Current	200mA
Feature	FailSecure(YS-130NO) FailSafe(YS-130NC)
Suitable For	Wooden Door, Metal Door
Finishing	Electroplating
Weight	0.4kg

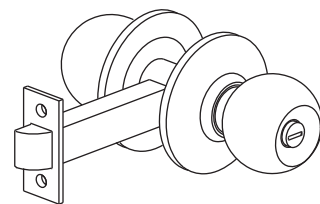
Diagram(unit:mm)



Options of Mechanical Lock

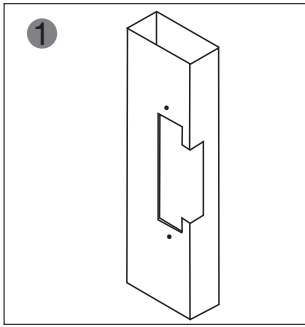


Mechanical Lock

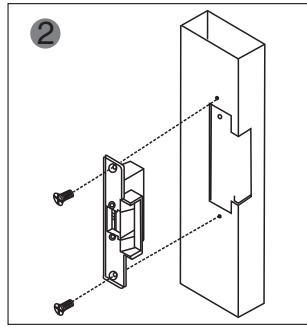


Knob lock

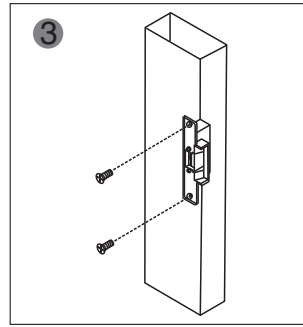
Installation



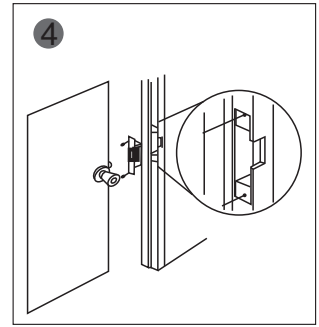
1 Cut hole according to the dimension of strike.



2 Assemble the lock and connect it to the power to test

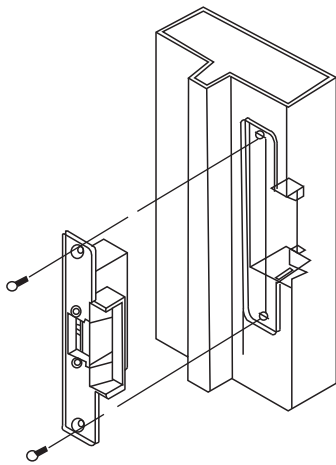


3 Fix the electric strike

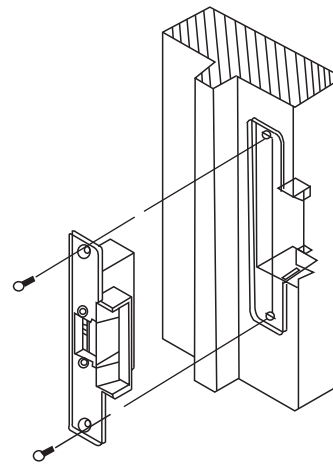


4 Finished

Suitable for



Metal Door Frame



Wooden Door Frame

Wire connection

