

QNO-8010R/8020R/8030R

5MP Network IR Bullet Camera

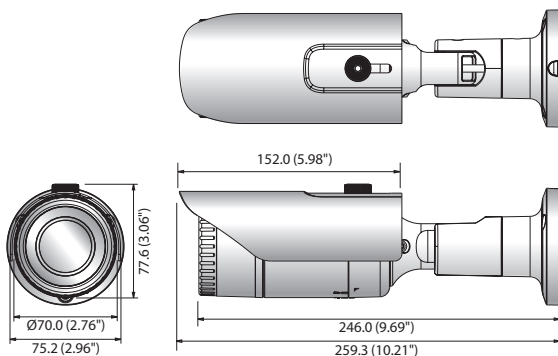


Key Features

- Max. 5Megapixel (2592 x 1944) resolution
- 2.8mm/4mm/6mm fixed lens
- 0.15Lux (Color), 0Lux (B/W, IR LED on)
- Max. 30fps@5MP (H.265 / H.264)
- H.265, H.264, MJPEG codec support, Multiple streaming
- Day & Night, WDR (120dB)
- Tampering, Motion detection, Defocus detection
- Micro SD / SDHC / SDXC memory slot (Max. 128GB)
- Hallway view, WiseStream II support
- IR Viewable length 20m/25m/30m
- IP66, IK10, PoE

Dimensions

Unit : mm (inch)



Accessories (Optional)



SBO-100B1



SBP-302PM

	QNO-8010R	QNO-8020R	QNO-8030R
VIDEO			
Imaging Device	1/2.8" 5MP CMOS		
Effective Pixels	2592(H) x 1944(V)		
Min. Illumination	Color : 0.15Lux (F2.0, 1/30sec) BW : 0Lux (IR LED on)	Color : 0.15Lux (F1.6, 1/30sec) BW : 0Lux (IR LED on)	Color : 0.15Lux (F2.0, 1/30sec) BW : 0Lux (IR LED on)
Video Out	CVBS : 1.0 Vp-p / 75Ω composite, 720 x 480(N), 720 x 576(P) for installation		
LENS			
Focal Length (Zoom Ratio)	2.8mm fixed focal	4.0mm fixed focal	6.0mm fixed focal
Max. Aperture Ratio	F2.0	F1.6	F2.0
Angular Field of View	H : 104.7°/V : 76.5°/D : 136.0°	H : 79.8°/V : 58.1°/D : 105.9°	H : 49.4°/V : 37.4°/D : 61.0°
Focus Control	Fixed		
PAN / TILT / ROTATE			
Pan / Tilt / Rotate Range	0°~350° / 0°~67° / 0°~355°		
OPERATIONAL			
IR Viewable Length	20m(65.62ft)	25m(82.02ft)	30m(98.42ft)
Camera Title	Displayed up to 85 characters		
Day & Night	Auto (ICR)		
Backlight Compensation	BLC, WDR, SDR		
Wide Dynamic Range	120dB		
Digital Noise Reduction	SSNR		
Motion Detection	4ea, polygonal zones		
Privacy Masking	6ea, rectangular zones		
Gain Control	Low / Middle / High		
White Balance	ATW / AWC / Manual / Indoor / Outdoor		
LDC	Support		
Electronic Shutter Speed	Minimum / Maximum / Anti flicker (1/5~1/12,000sec)		
Video Rotation	Flip, Mirror, Hallway view(90°/270°)		
Analytics	Defocus detection, Directional detection, Motion detection, Enter/Exit, Tampering, Virtual line		
Alarm I/O	Input 1ea / Output 1ea		
Alarm Triggers	Analytics, Network disconnect, Alarm input		
Alarm events	File upload via FTP and e-mail, Notification via e-mail, SD/SDHC/SDXC or NAS recording at event triggers, Alarm output		
NETWORK			
Ethernet	RJ-45(10/100BASE-T)		
Video Compression	H.265/H.264 : Main/High, MJPEG		
Resolution	2592 x 1944, 1920 x 1080, 1280 x 960, 1280 x 720, 800 x 600, 800 x 448, 720 x 576, 720 x 480, 640 x 480, 640 x 360		
Max. Framerate	H.265/H.264 : Max. 30fps/25fps (60Hz/50Hz) / MJPEG : Max. 15fps/12fps (60Hz/50Hz)		
Smart Codec	WiseStream II		
Video Quality Adjustment	H.264/H.265 : Target bitrate level control / MJPEG : Quality level control		
Bitrate Control	H.264/H.265 : CBR or VBR / MJPEG : VBR		
Streaming	Unicast (6 users) / Multicast / Multiple streaming (Up to 3 profiles)		
Protocol	IPv4, IPv6, TCP/IP, UDP/IP, RTP(UDP), RTP(TCP), RTCP, RTSP, NTP, HTTP, HTTPS, SSL/TLS, DHCP, FTP, SMTP, ICMP, IGMP, SNMPv1/v2c/v3(MIB-2), ARP, DNS, DDNS, QoS, PIM-SM, UPnP, Bonjour, LLDP		
Security	HTTPS (SSL) login authentication, Digest login authentication, IP address filtering, User access log, 802.1X authentication (EAP-TLS, EAP-LEAP)		
Edge Storage	Micro SD/SDHC/SDXC 1slot 128GB		
Application Programming Interface	ONVIF Profile S/G/T SUNAPI (HTTP API) Wisenet open platform		
Webpage Language	English, Korean, Chinese, French, Italian, Spanish, German, Japanese, Russian, Swedish,, Portuguese, Czech, Polish, Turkish, Dutch, Hungarian, Greek		

	QNO-8010R	QNO-8020R	QNO-8030R
Web Viewer	Supported OS : Windows 7, 8.1, 10, Mac OS X 10.10, 10.11, 10.12, 10.13, 10.14 Recommended Browser : Google Chrome Supported Browser : MS Explorer11, MS Edge, Mozilla Firefox (Windows 64bit only), Apple Safari (Mac OS X only)		
Memory	512MB RAM, 256MB Flash		
ENVIRONMENTAL			
Operating Temperature / Humidity	-30°C ~ +55°C (-22°F ~ +131°F) / Less than 90% RH * Start up should be done at above -20°C		
Storage Temperature / Humidity	-30°C ~ +60°C (-22°F ~ +140°F) / Less than 90% RH		
Certification	IP66, IK10		
ELECTRICAL			
Input Voltage	PoE (IEEE802.3af, Class3)		
Power Consumption	PoE : Max 7.5W, typical 6.1W		
MECHANICAL			
Color / Material	Dark grey / Aluminum		
Product dimensions / weight	Ø70.0 x 246.0mm (Ø2.76 x 9.69"), 680g (1.499 lb)		

* The latest product information / specification can be found at hanwha-security.com

* Design and specifications are subject to change without notice.

* Wisenet is the proprietary brand of Hanwha Techwin.