

DH-PFA107

Adapter Plate of PT Network Camera



Features

- Neat & Integrated design.
- Material: Aluminum.

Camera Mount Series | DH-PFA107

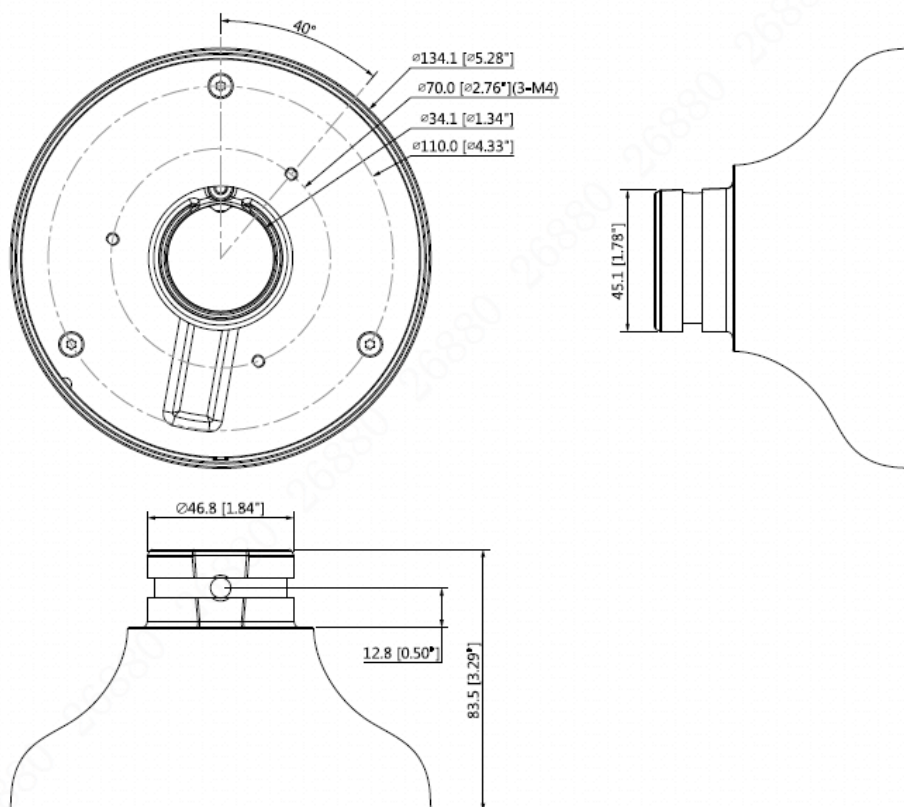
Technical Specifications

Model	DH-PFA107
General	
Material	Aluminum
Dimension (W x H x D)	Φ134.1mmx83.5mm(Φ5.28"x3.29")
Weight	0.29kg(0.64lb)
Load Bearing	1kg(2.2lb)
Color	White
Operating Temperature	-40°C ~60°C(-40°F ~140°F)
Humidity	<90% RH
Applicable Model	DH-PFB305W, DH-PFB220C

Order Information

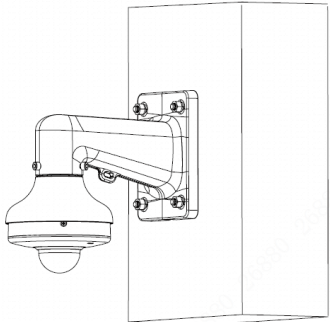
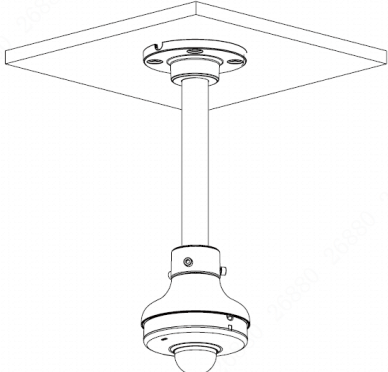
Type	Part Number	Description
Camera Mount Series	DH-PFA107	Adapter plate _ Dahua brand
	PFA107	Adapter plate _Neutral, no brand
	DH-PFB305W	Wall mount bracket _ Dahua brand
	PFB305W	Wall mount bracket _Neutral, no brand
	DH-PFB220C	Ceiling mount bracket _ Dahua brand
	DH-PFB220C	Ceiling mount bracket _Neutral, no brand

Dimensions (mm/inch)



Camera Mount Series | DH-PFA107

Application

Wall Mount	Ceiling Mount
PFB305W+PFA107	PFB220C+PFA107
	

Package Information

- Adapter plate *1
- M4x10 *3