



YLI ELECTRONIC

Door Loop for Mortise Mounting

Model: DLK-402/402L



Basic Instruction

Door loop is made of excellent material, Seiko quality, Special design, Applicable to use for access control, to protect the wire when install the electric lock, magnetic contact, alarm button on the door, convenient and beautiful.

Specification

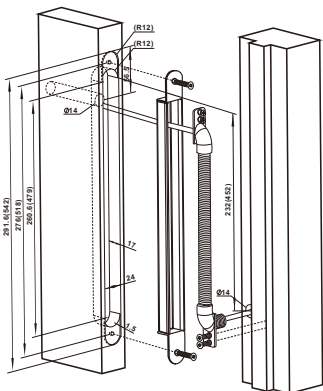
DLK-402

Size: 290Lx25Wx12H(mm)DIA
 Suitable Range: Prevent the wire from malicious damage
 Standard Structure: Alloy Material, Thickened Ripple Tube
 Finished for Shell: Painted by high temperature
 Weight: 0.27kg

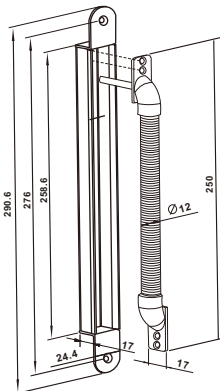
DLK-402L

Size: 542Lx24Wx17H(mm)DIA
 Suitable Range: Prevent the wire from malicious damage
 Standard Structure: Alloy Material, Thickened Ripple Tube
 Finished for Shell: Painted by high temperature
 Weight: 0.4kg

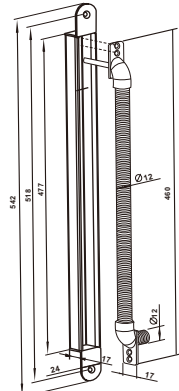
Dimension



DLK-402/(DLK-402L)

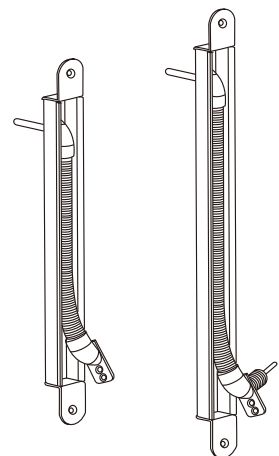
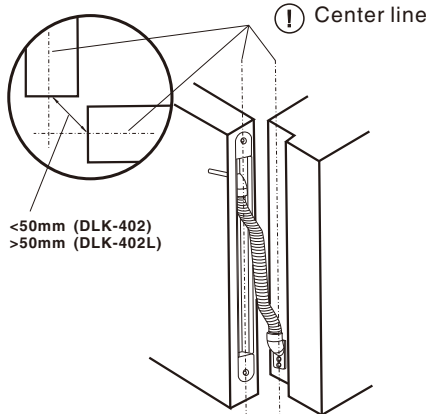
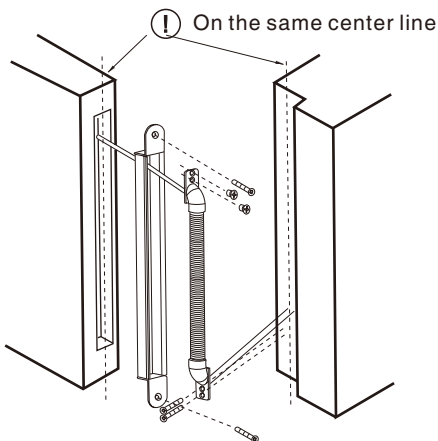


DLK-402



DLK-402L

Installation



DLK-402, DLK-402L