

Wireless Door Detector

V1.0.0

Table of Contents

1 Overview.....	1
2 Device Installation.....	3
3 Usage.....	7
Appendix 1 Technical Specifications.....	8

Important Safeguards and Warnings

Please read the following safeguards and warnings carefully before using the product in order to avoid damages and losses.

Note:

- Do not expose the device to lampblack, steam or dust. Otherwise it may cause fire or electric shock.
- Do not install the device at position exposed to sunlight or in high temperature. Temperature rise in device may cause fire.
- Do not expose the device to humid environment. Otherwise it may cause fire.
- The device must be installed on solid and flat surface in order to guarantee safety under load and earthquake. Otherwise, it may cause device to fall off or turnover.
- Do not place the device on carpet or quilt.
- Do not block air vent of the device or ventilation around the device. Otherwise, temperature in device will rise and may cause fire.
- Do not place any object on the device.
- Do not disassemble the device without professional instruction.

Warning:

- Please use battery properly to avoid fire, explosion and other dangers.
- Please replace used battery with battery of the same type.
- Do not use power line other than the one specified. Please use it properly. Otherwise, it may cause fire or electric shock.

Special Announcement

- This manual is for reference only.
- All the designs and software here are subject to change without prior written notice.
- All trademarks and registered trademarks are the properties of their respective owners.
- If there is any uncertainty or controversy, please refer to the final explanation of us.
- Please visit our website for more information.

1 Overview

This Wireless Door Detector is wireless intrusion detector. When arming zone is intruded, the detector will output alarm signal via wireless module to upload to wireless alarm host, thus alarm is generated. Available model: ARD311-W

Before Use

1. Do not touch surface of the detector and the lens, so as not to affect the sensitivity of the detector. If you need to clean the detector and the lens, please turn off the power and use a soft cloth dipping some water to do so.
2. Avoid using the device in an environment of large temperature change, otherwise it will affect the performance of the product.
3. This product can reduce accidents, however there is no guarantee. For your safety, in addition to proper use of the products, but also be vigilant in daily life,.

Product Appearance

The detector includes a motherboard box (left), and a magnetic box (right).

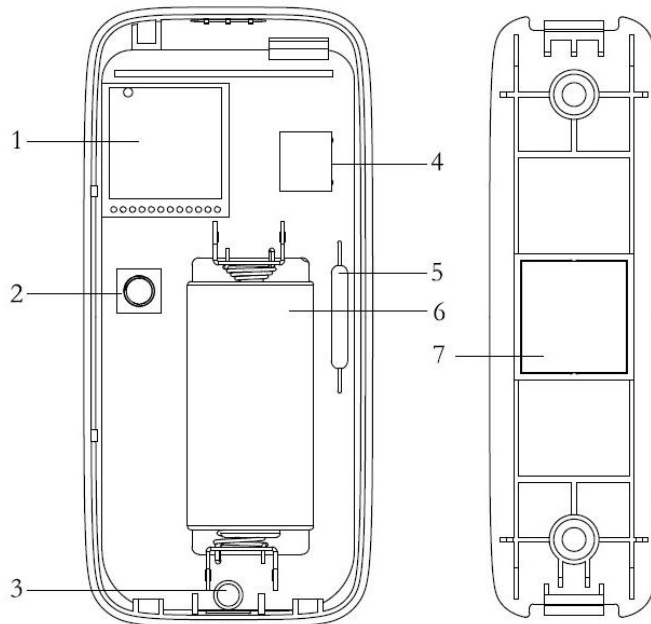


Figure 1- 1

No.	Note
1	Wireless module

2	Vandal-proof switch I (case)
3	LED
4	Vandal-proof II (wall vandal-proof)
5	Reed switch
6	Battery
7	Magnetic

Features

- Communication frequency 433MHz, normal transmission power 10dBm
- In open space, transmission distance is **800m**
- Detection range is 25mm~45mm
- Fixed with either back gum or screw
- Built-in battery, for work up to 3 years and support low battery alarm
- Vandal-proof

2 Device Installation

Warning:

- Installation and debugging must be executed by professional staff. If you encounter device failure, please do not open and repair the device, you shall contact its after-sales department.
- Avoid installation in environment with large magnetic field around.
- Avoid installation in places with a large amount of metal objects.
- Avoid installing motherboard box on door/window frame or installing magnetic box in door/window.
- Be careful with direction of installation, and install magnetic box on the side with arrow on motherboard box. See Figure 2- 1.

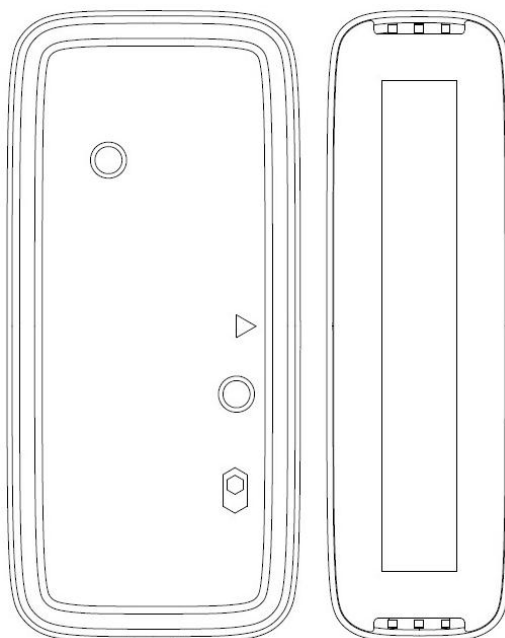


Figure 2- 1

- Fixed with screw:

Step 1. Please open device package, follow Figure 2- 2. Use straight screwdriver to take down device rear cover.

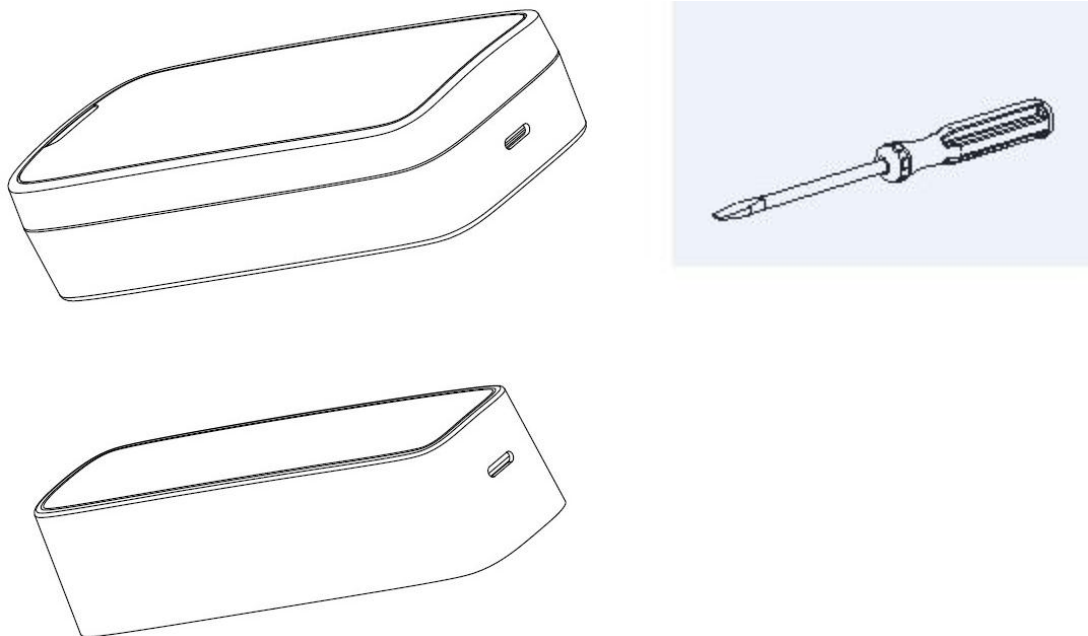


Figure 2- 2

Step 2. Follow Figure 2- 3, dig two holes on door/window frame, and dig two holes on mobile door/window.

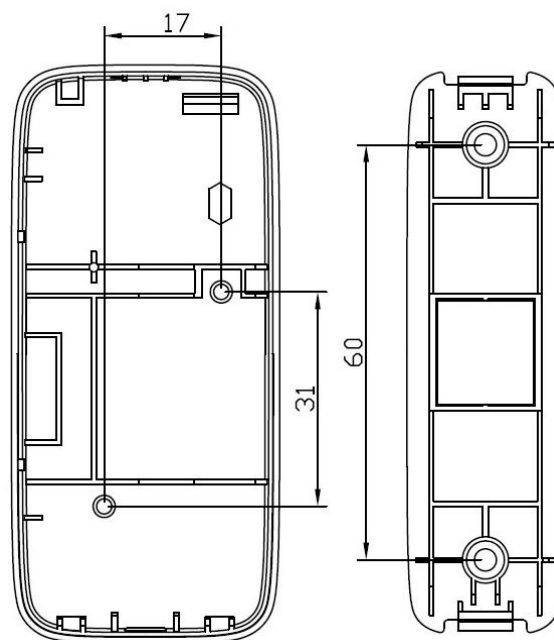


Figure 2- 3

Step 3. Face device rear cover with bolt, insert and fasten self-tapping screw to fix the cover on wall.

Step 4. Close device front cover component to complete.

- Fixed with back gum:

Step 1. Paste gum at back of the device, see Figure 2- 4.

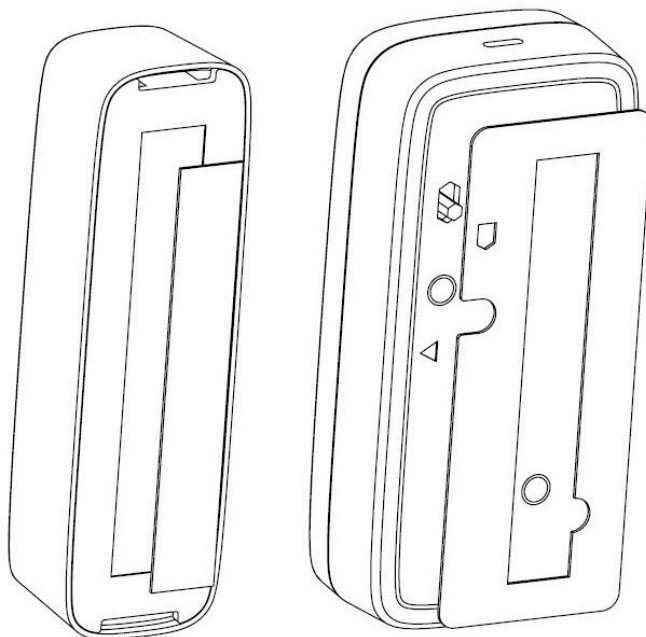


Figure 2- 4

Step 2. Paste the device on door/window. When device installation is complete, for example see Figure 2- 5.

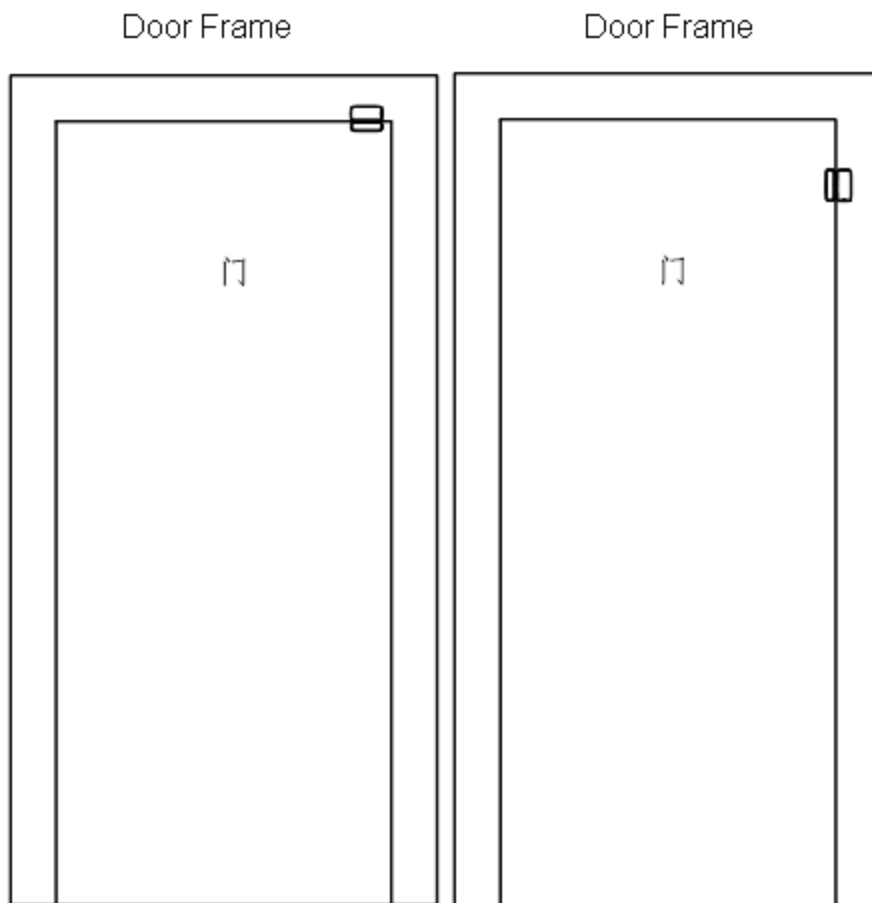


Figure 2- 5

3 Usage

Before you can normally use wireless PIR detector, you must set network settings.

Two ways to set:

- Via wireless alarm programming keyboard
Under this mode, you enable matching mode at keyboard, and power up the detector. When power indicator is ON, dial vandal-proof switch and indicator is flashing. Wait about 10s, if the indicator is OFF, the matching is successful. If the indicator flashes for three times, the matching is failed. You shall follow these steps and try again.
- Via setting MAC address
Under this mode, you set detector MAC to the MAC address list of wireless alarm host via keyboard and power up the detector. Wait about 40s, if indicator is OFF, the matching is successful.

Note:

If the detector has been matched to other alarm host, you cancel previous matching by quickly dialing vandal-proof switch. (5 times within 1s)

Appendix 1 Technical Specifications

Parameter	Note
Motion Distance	25-40mm
Alarm Prompt	Red LED, may set OFF
Carrier Frequency	433MHz
Transmitting Power	10dBm
Transmission Distance	800m (open space/no interference)
Vandal-proof	Front/rear cover vandal-proof
Installation Method	Fixed with Screw and gum
Dimensions	84*39*22mm (L*W*T)
Weight	0.1kg
Temperature	-10°C ~ 50°C
Humidity	< 95%

Note:

- This manual is for reference only. Slight difference may be found in user interface.
- All the designs and software here are subject to change without prior written notice.
- All trademarks and registered trademarks are the properties of their respective owners.
- If there is any uncertainty or controversy, please refer to the final explanation of us.
- Please visit our website or contact your local service engineer for more information.