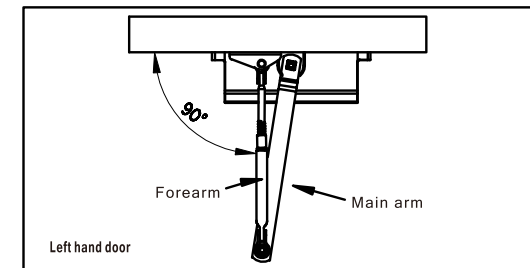
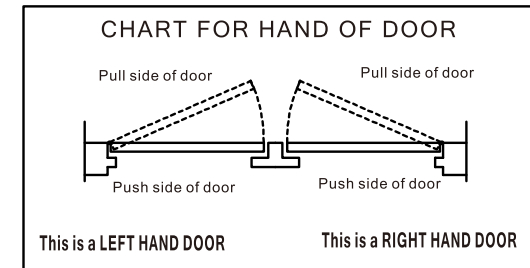
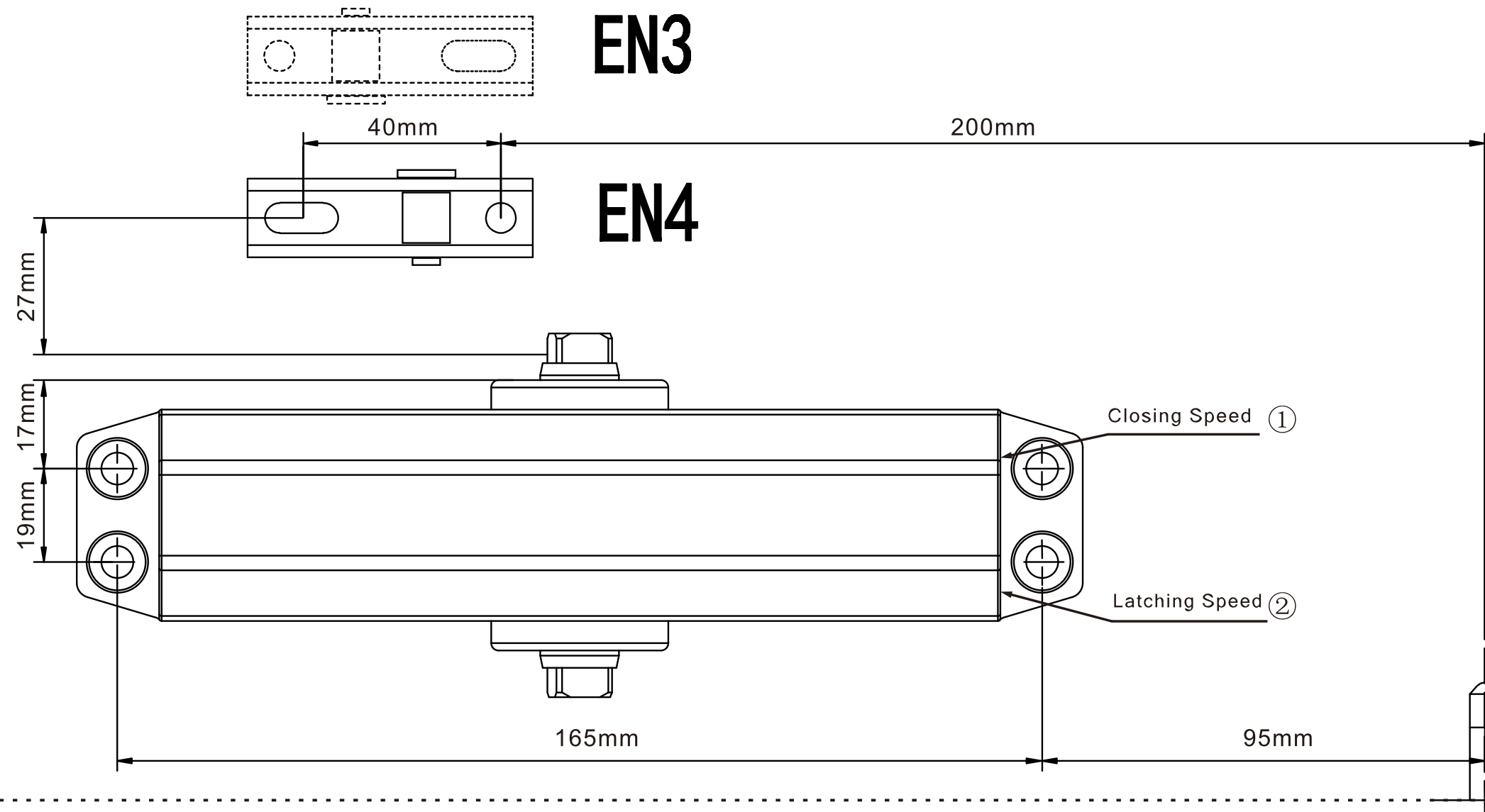


Door Closer User manual (Right Door)

CE FC RoHS

ASF102S

Read the manual before usage and keep for future reference.



1

The paper template
Punch
Hammer
Tab jamb
Door
Hinge

Put the paper template tight with the door and door frame (the side line that the arrowhead aims at the door) Mark on the door and door frame.

2

Electric drill
Aluminum or steel door
Wooden door

Drill $\Phi 5$ hole against the mark, Tap M6 screw hole.

3

Body
Screw for metal doors
Screw for wooden doors

Fix the body on the door with 4 screws.

4

Screw for wooden doors
Screw for metal doors
Forearm
Main arm
Hinge

- Loose the screw of adjustable forearm.
- Fix the adjustable forearm on the door frame with two screws.
- Fix the main arm on the body with one screw.

5

screw

- Turn the Forearm and make the forearm with the body as 90°
- Tight the screw of adjustable forearm.

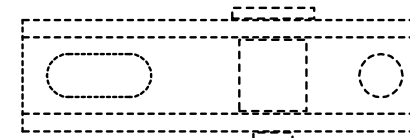
6

Gear a cover
Closing Speed Regulating Screw
Latching Speed Regulating Screw

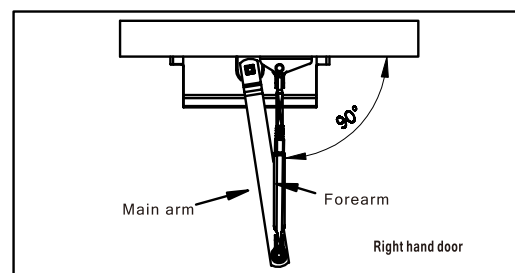
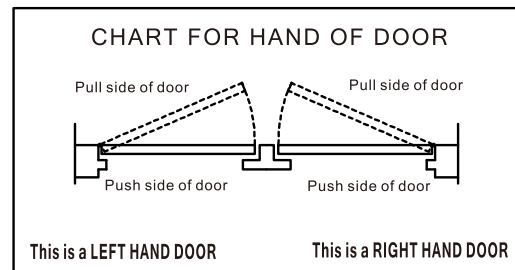
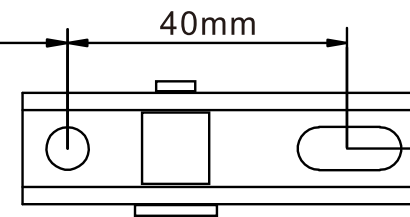
Fast Slow
Latching Speed Closing Speed

Adjust door closing speed and latching speed :the user can according to their needed adjust the screw closing and latching speed individually.

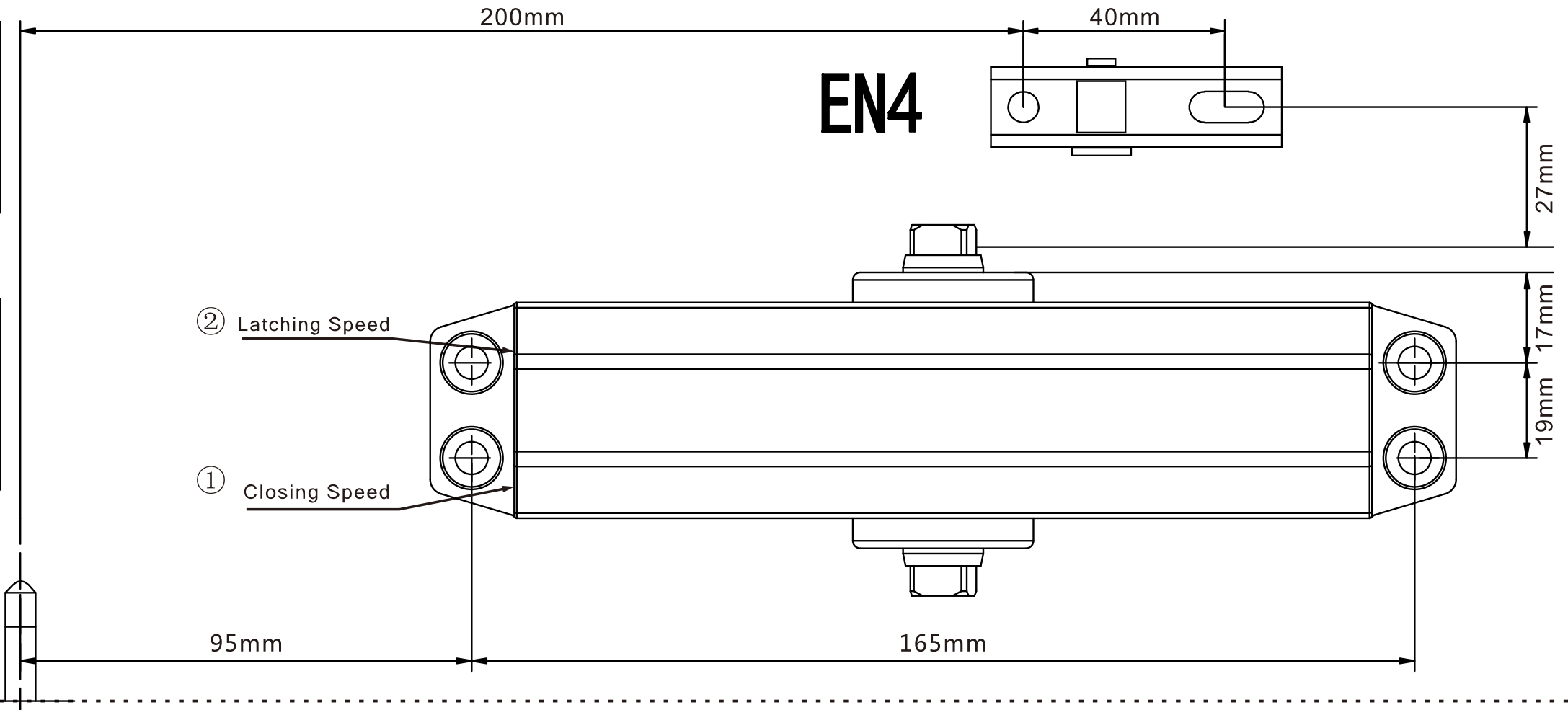
EN3



EN4



Right hand door



1

Top jamb Door
The paper template
Punch
Hinge
Hammer

Put the paper template tight with the door and door frame .(the side line that the arrowhead aims at the door) Mark on the door and door frame.

2

Electric drill
Φ5 M6
Aluminium or steel door
Wooden door

Drill Φ5 hole against the mark, Tap M6 screw hole.

3

Body
Screw for metal doors
Screw for wooden doors

Fix the body on the door with 4 screws.

4

Screw
Screw for wooden doors
Screw for metal doors
Forearm
Main arm
Hinge

1. Loose the screw of adjustable forearm.
2. Fix the adjustable forearm on the door frame with two screws.
3. Fix the main arm on the body with one screw.

5

90°
screw

1. Turn the Forearm and make the forearm with the body as 90°
2. Tight the screw of adjustable forearm.

6

Gear a cover
Latching Speed Regulating Screw
Closing Speed Regulating Screw
Fast (with slash) Slow
Latching Speed Closing Speed

Adjust door closing speed and latching speed :the user can according to their needed adjust the screw closing and latching speed individually.