



DS-K3G201 User manual

Ver1.0-20210628

Legal Information

© 2020 Hangzhou Hikvision Digital Technology Co., Ltd. All rights reserved.

This Manual is the property of Hangzhou Hikvision Digital Technology Co., Ltd. or its affiliates (hereinafter referred to as "Hikvision"), and it cannot be reproduced, changed, translated, or distributed, partially or wholly, by any means, without the prior written permission of Hikvision. Unless otherwise expressly stated herein, Hikvision does not make any warranties, guarantees or representations, express or implied, regarding to the Manual, any information contained herein.

About this Manual

The Manual includes instructions for using and managing the Product. Pictures, charts, images and all other information hereinafter are for description and explanation only. The information contained in the Manual is subject to change, without notice, due to firmware updates or other reasons. Please find the latest version of this Manual at the Hikvision website (<https://www.hikvision.com/>).

Please use this Manual with the guidance and assistance of professionals trained in supporting the Product.

Trademarks Acknowledgement

- **HIKVISION** and other Hikvision's trademarks and logos are the properties of Hikvision in various jurisdictions.
- Other trademarks and logos mentioned are the properties of their respective owners.

LEGAL DISCLAIMER

TO THE MAXIMUM EXTENT PERMITTED BY APPLICABLE LAW, THIS MANUAL AND THE PRODUCT DESCRIBED, WITH ITS HARDWARE, SOFTWARE AND FIRMWARE, ARE PROVIDED "AS IS" AND "WITH ALL FAULTS AND ERRORS". HIKVISION MAKES NO WARRANTIES, EXPRESS OR IMPLIED, INCLUDING WITHOUT LIMITATION, MERCHANTABILITY, SATISFACTORY QUALITY, OR FITNESS FOR A PARTICULAR PURPOSE. THE USE OF THE PRODUCT BY YOU IS AT YOUR OWN RISK. IN NO EVENT WILL HIKVISION BE LIABLE TO YOU FOR ANY SPECIAL, CONSEQUENTIAL, INCIDENTAL, OR INDIRECT DAMAGES, INCLUDING, AMONG OTHERS, DAMAGES FOR LOSS OF BUSINESS PROFITS, BUSINESS INTERRUPTION, OR LOSS OF DATA, CORRUPTION OF SYSTEMS, OR LOSS OF DOCUMENTATION, WHETHER BASED ON BREACH OF CONTRACT, TORT (INCLUDING NEGLIGENCE), PRODUCT LIABILITY, OR OTHERWISE, IN CONNECTION WITH THE USE OF THE PRODUCT, EVEN IF HIKVISION HAS BEEN ADVISED OF THE POSSIBILITY OF SUCH DAMAGES OR LOSS.

YOU ACKNOWLEDGE THAT THE NATURE OF INTERNET PROVIDES FOR INHERENT SECURITY RISKS, AND HIKVISION SHALL NOT TAKE ANY RESPONSIBILITIES FOR ABNORMAL OPERATION, PRIVACY LEAKAGE OR OTHER DAMAGES RESULTING FROM CYBER-ATTACK, HACKER ATTACK, VIRUS INSPECTION, OR OTHER INTERNET SECURITY RISKS; HOWEVER, HIKVISION WILL PROVIDE TIMELY TECHNICAL SUPPORT IF REQUIRED.

YOU AGREE TO USE THIS PRODUCT IN COMPLIANCE WITH ALL APPLICABLE LAWS, AND YOU ARE SOLELY RESPONSIBLE FOR ENSURING THAT YOUR USE CONFORMS TO THE APPLICABLE LAW. ESPECIALLY, YOU ARE RESPONSIBLE, FOR USING THIS PRODUCT IN A MANNER THAT DOES NOT INFRINGE ON THE RIGHTS OF THIRD PARTIES, INCLUDING WITHOUT LIMITATION, RIGHTS OF PUBLICITY, INTELLECTUAL PROPERTY RIGHTS, OR DATA PROTECTION AND OTHER PRIVACY RIGHTS. YOU SHALL NOT USE THIS PRODUCT FOR ANY PROHIBITED END-USES, INCLUDING THE DEVELOPMENT OR PRODUCTION OF WEAPONS OF MASS DESTRUCTION, THE DEVELOPMENT OR PRODUCTION OF CHEMICAL OR BIOLOGICAL WEAPONS, ANY ACTIVITIES IN THE CONTEXT RELATED TO ANY NUCLEAR EXPLOSIVE OR UNSAFE NUCLEAR FUEL-CYCLE, OR IN SUPPORT OF HUMAN RIGHTS ABUSES.

IN THE EVENT OF ANY CONFLICTS BETWEEN THIS MANUAL AND THE APPLICABLE LAW, THE LATER PREVAILS.

CONTENTS

Chapter 1 Overview	3
1.1 Introduction	3
1.2 Main structure.....	4
1.2.1 Mechanical parts.....	4
1.2.2 Electronic control parts	5
Chapter 2 Installation	6
2.1 Install pedestals.....	6
2.1.1 Entrance direction diagram.....	6
2.1.2 Installation diagram (against the wall)	7
2.1.3 Turnstile installation hole diagram.....	8
Chapter 3 General Wiring	9
3.1 Wiring Electric Supply	9
3.2 Access control connection	9
Chapter 4 Mainboard instructions	11
4.1 Main Board Description	11
4.1.1 Motherboard interface	11
4.1.2 Function key function description	12
4.1.3 Operation example description.....	13
4.2 Menu introduction	13
Chapter 5 Maintenance	15

Chapter 1 Overview

1.1 Introduction



DS-K3G201 series is stamped and formed by sus304 stainless steel plate, beautiful in appearance, sturdy and durable, not easy to be damaged by external force, can be connected with card reader, face recognition terminal, etc., dedicated to the entrance and exit of the construction site.

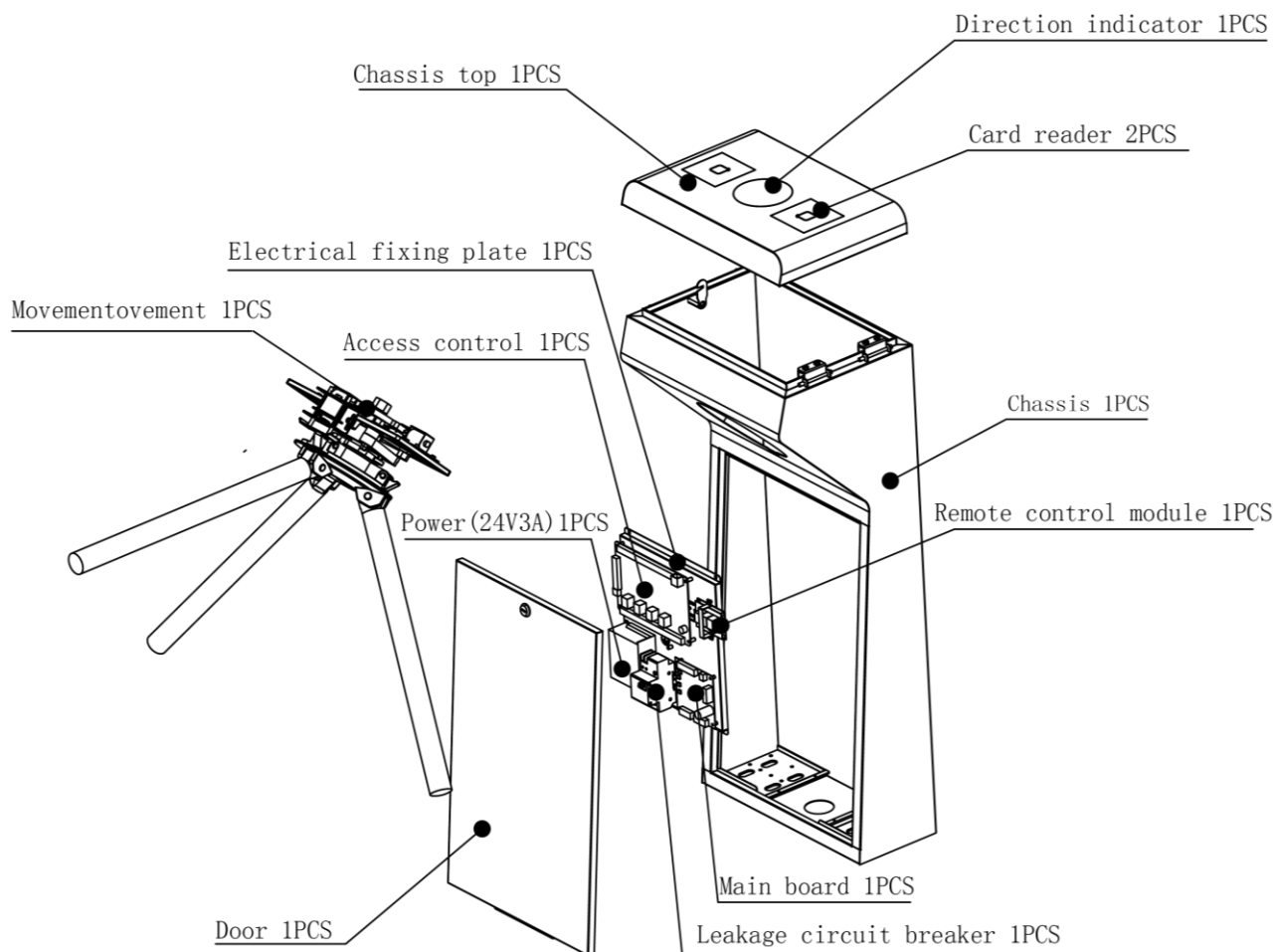
Note

Different product models will have different hardware configurations and appearances.

DS-K3G201 Series Tripod Turnstile User Manual

1.2 Main structure

The product structure is shown in the figure below. The turnstile is mainly composed of mechanical parts and electronic control parts.



1.2.1 Mechanical parts

A card reader space and direction indicator space are reserved on the top of the box. The main components of the movement are rod-falling electromagnets, telescopic electromagnets, frame, drive shaft, three-roll turnstile roller, etc.

1.2.2 Electronic control parts

The electronic control part is composed of a card reader, a main board, a direction indicator board, a leakage circuit breaker, etc.

Card reader

Read the card number information, send the read information to the access controller and verify the access control authority.

Main board

The control center of the system, which receives the signals from the access system, performs logical judgment and processing on these signals, and then sends execution commands to the direction indicator, electromagnets, counter etc...

Direction indicator

Display the current status of passage signs and guide pedestrians to pass through the passage safely and orderly.

Chapter 2 Installation

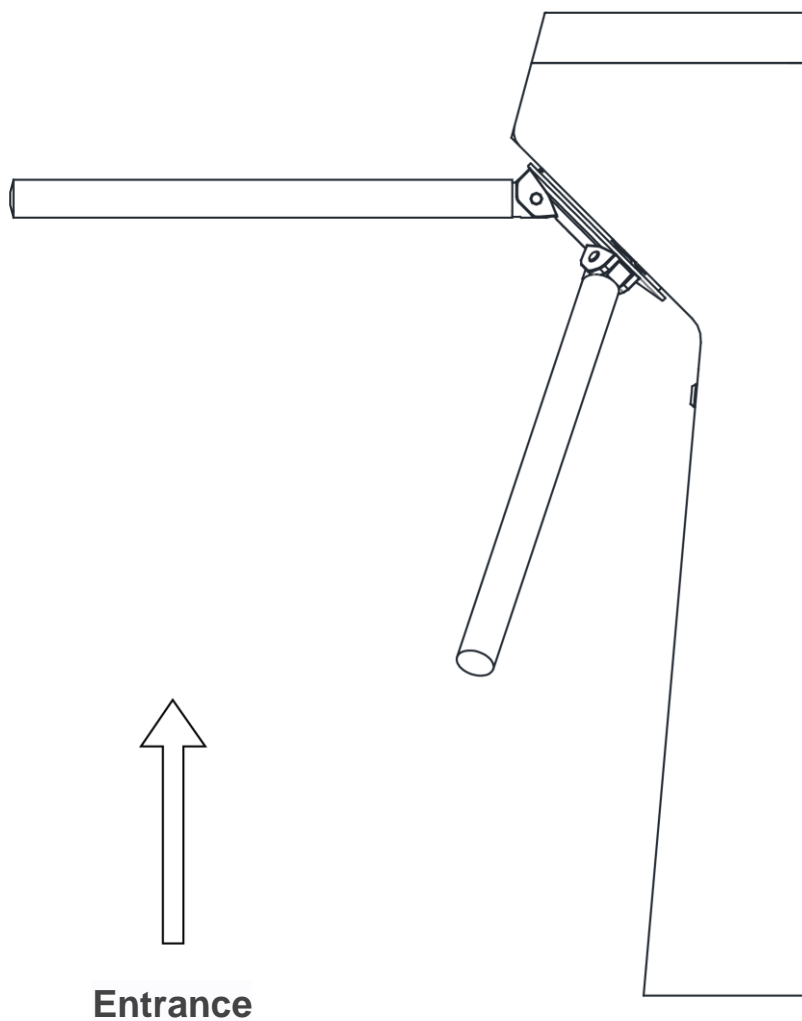
2.1 Install pedestals

Before You Start

Prepare for the installation tools, check the device and the accessories, and clear the installation base.

2.1.1 Entrance direction diagram

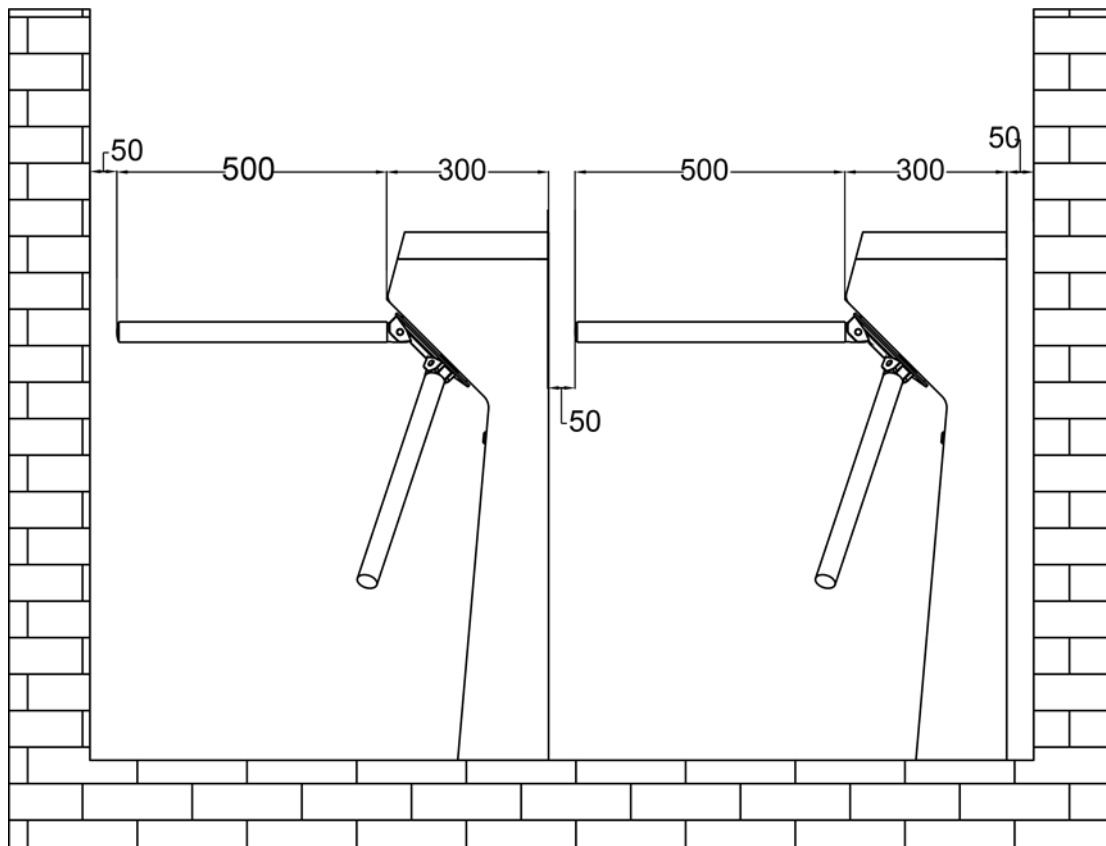
The installation position of the turnstile is installed on the right, which is convenient for the right hand to swipe the card to move forward. The entrance direction corresponds to the left opening of the motherboard wiring port, and the exit direction corresponds to the right opening of the motherboard wiring port.



2.1.2 Installation diagram (against the wall)

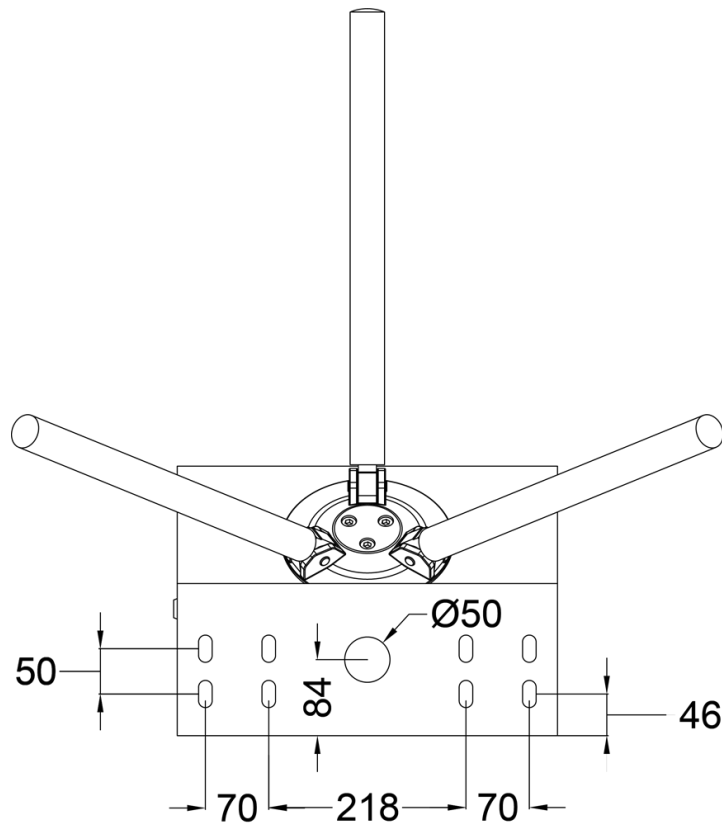
The device should be installed on the concrete surface or other non-flammable surfaces.

No face recognition terminal installed: If the installation area is too close to the wall, make sure the distance between the pedestal and the wall should be more than 50 mm, or the surface may be scratched.



2.1.3 Turnstile installation hole diagram

The size of the expansion screw should be M12. The length of the expansion screw should not be less than 120mm. It is recommended to use the expansion screw with a length of 120mm.



Chapter 3 General Wiring

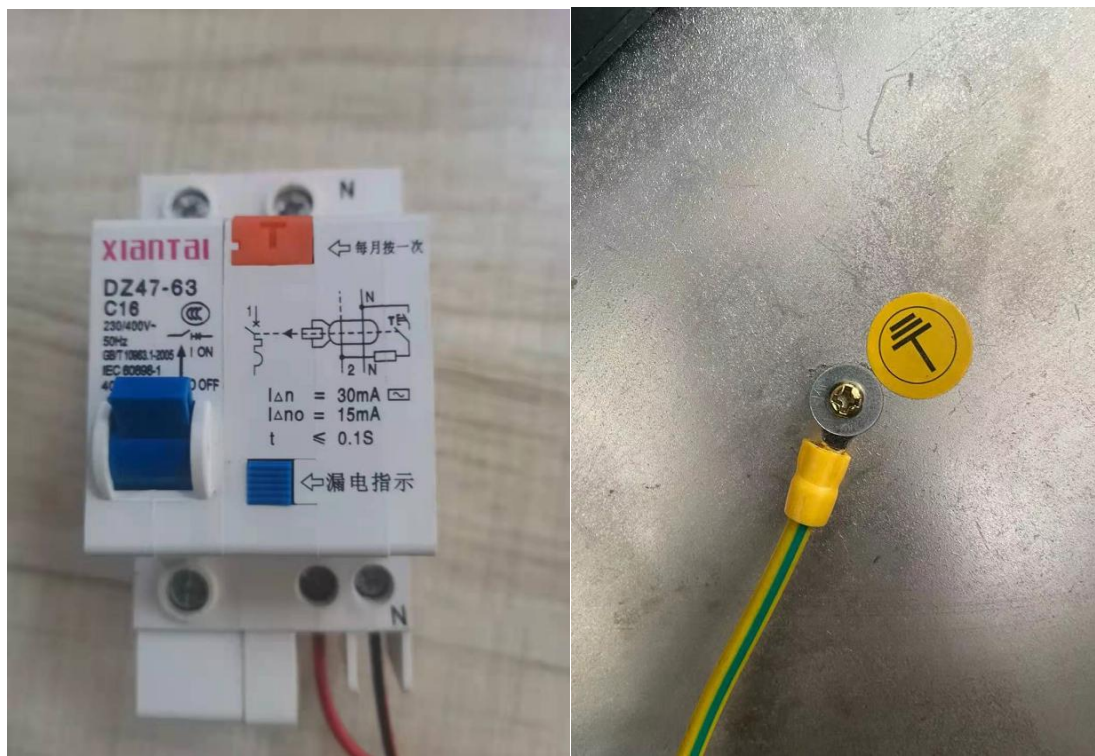
3.1 Wiring Electric Supply

The turnstile supports wiring the AC electric supply for the whole system's power supply.

Note

The voltage fluctuation of the electric supply is between 100 VAC and 220 VAC, 50 to 60 Hz.

Usage about steps and lists are illustrated as follows.



Caution

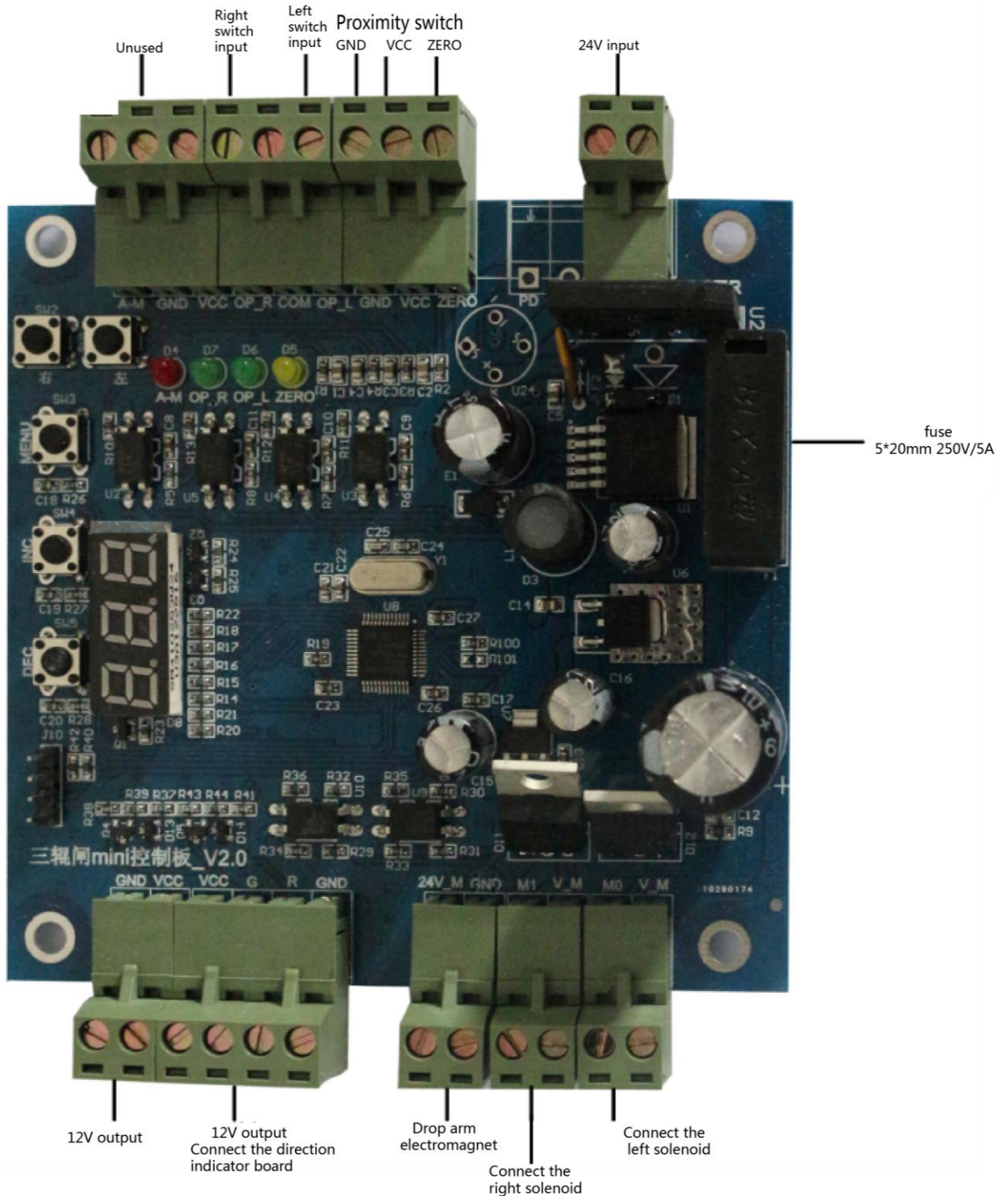
Terminal PE should connect to a ground wire to avoid hazard when people touching the device.

3.2 Access control connection

The access control panel of the turnstile can realize the two-way function of in and out. The external access control board needs to have the relay output function. The connect interfaces of external access board is shown in the figure below;

DS-K3G201 Series Tripod Turnstile User Manual

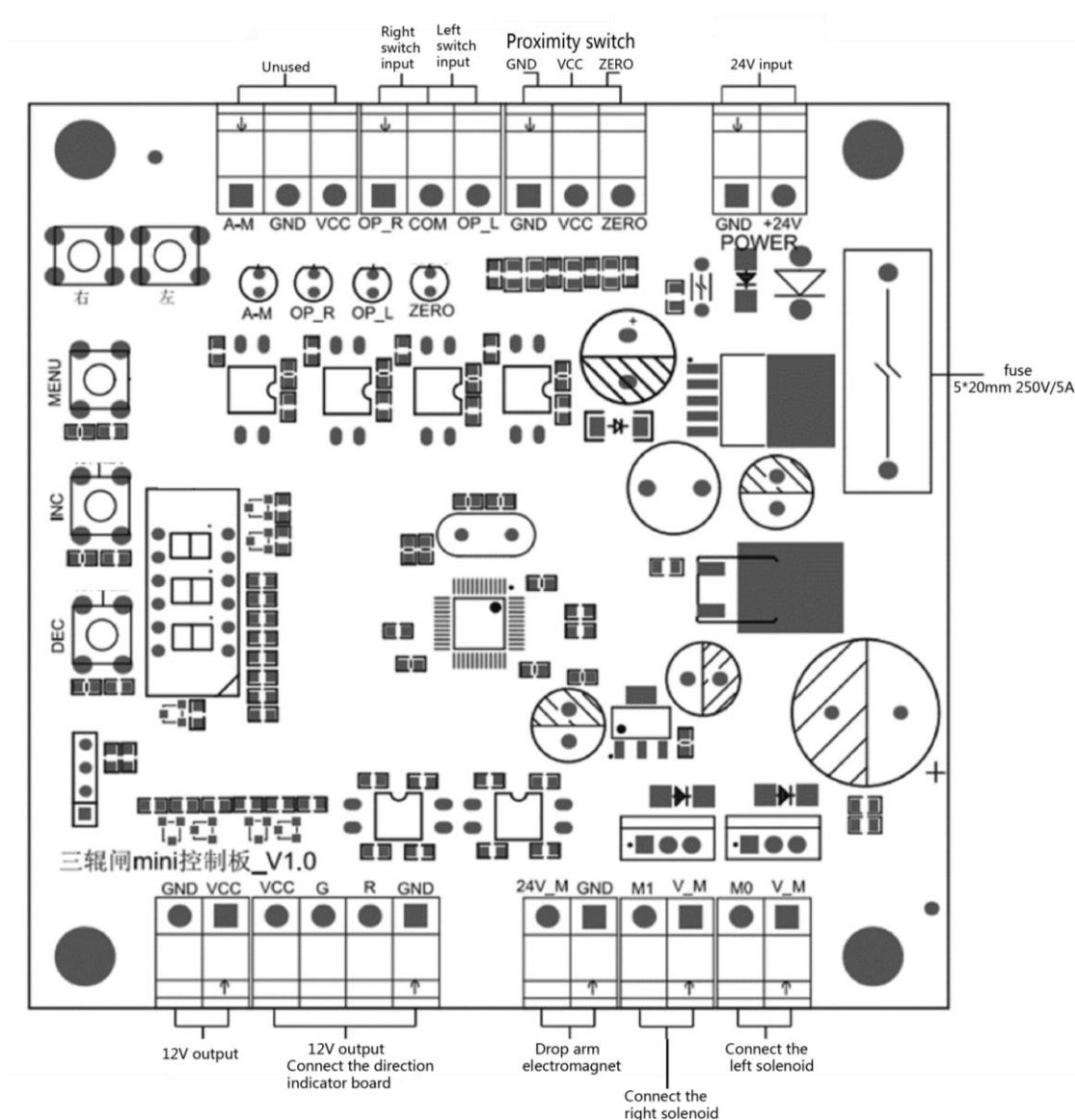
The place marked by the red box is the external relay output signal connection. No distinction between positive and negative wiring.



Chapter 4 Mainboard instructions

4.1 Main Board Description

4.1.1 Motherboard interface



DS-K3G201 Series Tripod Turnstile User Manual

Table 4-1 Main Board Description

No.	Interface	Description
1	Power in	DC 24V power supply
2	ZERO/VCC/GND	Arm position detection, when triggered the Magnet magnetic recovered, arm locked.
3	OP_L/COM	Entrance direction open
4	OP_R/COM	Exit direction open
5	VCC/GND	DC 12V power out
6	VCC/G/R/GND	direction indicator control
7	24V_M/GND	Drop arm electromagnets connection
8	M1/V_M	Exit direction electromagnets connection
9	M0/V_M	Entrance direction electromagnets connection
10	MENU KEYS	【MENU】 , 【INC】 , 【DEC】 for debugging

4.1.2 Function key function description

Table 4-2 Function Key description

Key name	Description
MENU	<ol style="list-style-type: none"> 1. Press this key in the standby interface to enter the system menu 2. In the system menu interface, select the corresponding menu and press this key to enter the menu parameter setting interface 3. After the menu is set, press this key to save the parameters and return to the system menu interface
INC	Scroll up to select the system menu and add 1 function when setting parameters
DEC	Scroll down to select the system menu and the function of subtracting 1 when setting parameters
Remark	In the system menu and menu setting interface, if there is no key operation within 5 seconds, the system will automatically exit the menu to the standby interface.

4.1.3 Operation example description

For example: to change the operation time of the turnstile opening time.

Step 1 Press the [MENU] key to enter the system menu, use the [INC] and [DEC] keys to scroll up and down to select the "F**" menu.

Step 2 Press [MENU] key to enter the door open duration setting interface.

Step 3 Use [INC] and [DEC] keys to increase and decrease the parameter value up and down respectively.

Step 4 After setting, press [MENU] key to save.

Step 5 Exit the menu: select the menu to the "F07" menu, press the [MENU] key to manually exit the menu or automatically exit the menu without operating the button for 5 seconds.

4.2 Menu introduction

Table 4-3 Menu description

MENU No.	Value range	Default value	Description
F-01	0-255	5	Turnstile door open time duration
F-02	0-4	0	0: All allowed 1: All prohibited 2: Left opening is prohibited, right opening is allowed 3: Right opening is prohibited, left opening is allowed
F-03	0-1	1	Working mode: 0. Free passage 1. Authorized passage
F-04	0-1	0	Memory function: For example, if you swipe the card 5 times, you can pass 5 people. 0. off 1. on
F-05	/	/	Test mode: enter the menu to start automatic left-open right-open uninterrupted test

DS-K3G201 Series Tripod Turnstile User Manual

F-06	0-1	0	system initialization 0. Exit 1. Initialize the system
F-07	/	/	Press menu in this interface to exit the setting mode and return to the initial interface

Chapter 5 Maintenance

The main element of the turnstile is stainless steel, which is rustless (antioxidant) and corrosion resistant (The anti corrosion ability in the medium of acid, alkali, and salt). In order to keep the stainless steel from being oxidized or corroded, you should clean and care the turnstile surface periodically .

The instructions and tips for maintaining the turnstile are as follows:

- Select different stainless steel types according to the variety of the environments. You can select 304 stainless steel for Common circumstances and 316 stainless steel for the scenarios of seashores and chemical plants.
- Keep the device surface clean and dry.
- Use non-woven cloth and ethyl alcohol to clean the dirt on the device surface.
- Use sourcing pad (do not use mesh cleaning ball) to clean the rust on the device surface by following the wire drawing on the stainless steel. And then use non-woven cloth and stainless steel cleaner to wipe the device surface.
- Clean and maintain the device by using non-woven cloth and stainless steel cleaner periodically. It is suggest to clean the device every month in common circumstances and every week for severe environments (seaside and chemical plants for instance).

