

## DS-TMG420/A Barrier Gate with Straight Boom Pole



DS-TMG420-X series barrier gate is applicable to entrance and exit management. It is widely used in road toll stations, parking lots, communities, enterprise entrances and exits, etc. to manage the entering and exiting of vehicles and record vehicle passing times. It can be controlled automatically via parking lot management system, or via handle, remote controller, button, etc.

- Adopts integrated machine core. Parallel gear decelerates linkage arm transmission to ensure stability and efficiency.
- Supports convenient side installation with compact structure.
- Adopts quenching process for carbon steel gear to realize wear-resistant and impact-resistant functions and extend product life.
- Adopts small DC brushless motor with low noise to increase output torque and realize precise intelligent control.
- Supports rebound for obstacle and opening priority.
- Adopts DC variable frequency control to enable smooth operation with fast boom pole opening and slow boom pole closing.
- Supports event log to enable convenient monitoring.
- Supports multiple anti-fall modes such as IR, vehicle detectors, and radars.
- Supports fault code detection on the nixie tube, log record, and abundant status indicating. Based on the fault code displayed on the nixie tube, you can realize quickly problems locating and maintenance.
- Supports manually opening boom pole. You can turn hand wheel to keep barrier gate opening during power cutoff.
- Delayed boom pole closing (10 s delay time by default). Supports 99 shifts (initial status 2 s, 2 s gap between each shift).
- Supports auto boom pole opening during power cutoff. The barrier gate can open automatically to allow fire trucks in (optional components required).
- Intergated with strip light to show barrier gate status

**▪ Specification**

| <b>Barrier Housing</b>  |  |
|---|--|
| Barrier Housing Material                                      | SGCC   |
| Barrier Housing Thickness                                     | 1.5 mm   |
| Barrier Housing Door Thickness                                | 1.2 mm   |
| Barrier Housing Color   | Iron gray  |
| Barrier Housing Door Color                                    | Orange red   |
| Boom Pole Installation Height                                 | 885 mm   |
| Body Indicators   | with body indicator. Green: arrow indicator. Red: prohibition indicator  |
| <b>Barrier Gate General</b>                                   |  |
| Boom Pole Direction   | Right by default, direction switchable   |
| Motor Type  | DC brushless motor   |
| Matched Boom Pole Type  | Octagonalstraight boom pole: 3 to 4 m  |
| Rising/Falling Speed  | 3 to 3 m: 3 s, 4 to 4 m: 3 s   |
| Boom Pole Falling Delay                                       | 10 s by default (configurable), min. 2 s (every 2 s followed a gap)  |
| Number of Cycles  | 5,000,000  |
| Working Voltage   | 220 VAC  |
| Consumption   | Max. 139 W   |
| Temperature and Humidity                                      | Temperature: -30 °C to 60 °C (-22 °F to 140 °F), Humidity: ≤ 90%   |
| Rising Boom Pole for Poweroff                                 | Optional, not supported by default   |
| <b>Package</b>  |  |
| Barrier Housing Dimensions (L × W × H)                        | 1060 × 370 × 262 mm (41.73 × 14.57 × 10.31 inch)   |
| Body Weight   | 43 ± 3 kg (94.8 ± 6.61 lb.)  |
| Body Dimensions (with Package, Without Boom Pole) (L × W × H) | 1248 × 486 × 480 mm (49.13 × 19.13 × 18.9 inch)  |
| Body Weight (with Package, Without Boom Pole)                 | 47 ± 3 kg (103.61 ± 6.61 lb.)  |
| <b>Interface</b>  |  |
| RS-485  | 1 group  |
| Rising to Limit   | 1 group  |
| Falling to Limit  | 1 group  |
| Open  | 1 group  |
| Close   | 1 group  |
| Stop  | 1 group  |
| IR/Vehicle Detector/Radar                                     | 1 group  |
| Traffic Signal Light  | 1 group, external power supply required, max. 220 VAC supported  |
| <b>Approval</b>   |  |
| RF  | CE-RED<br>EN 300220-1 V3.1.1<br>EN 300220-2 V3.1.1<br>EN 301489-1 V2.2.3<br>EN 301489-3 V2.1.1<br>EN IEC 62311: 2020 |

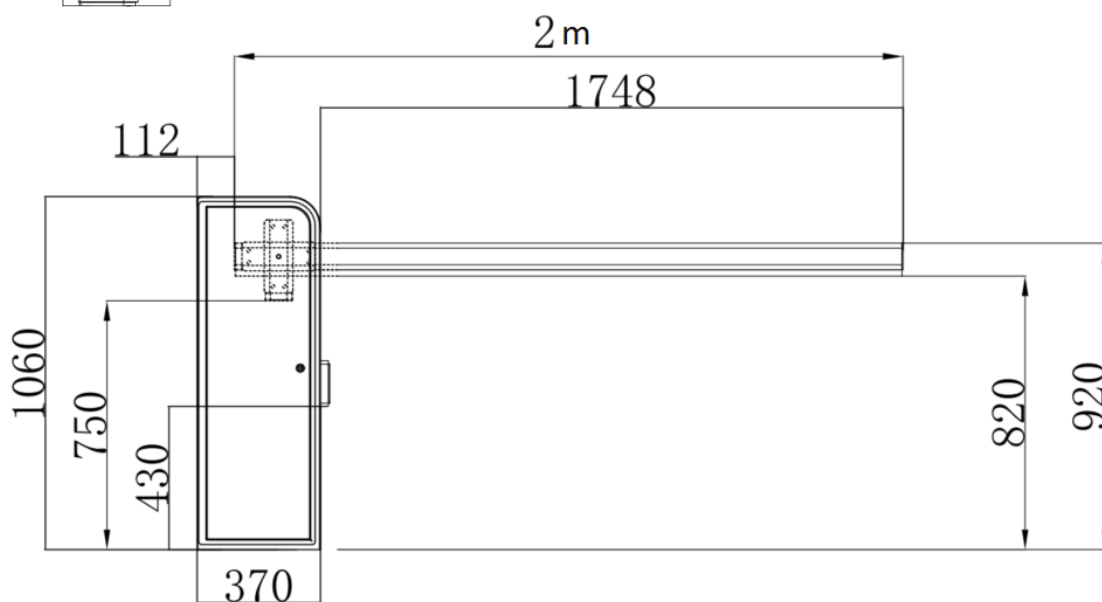
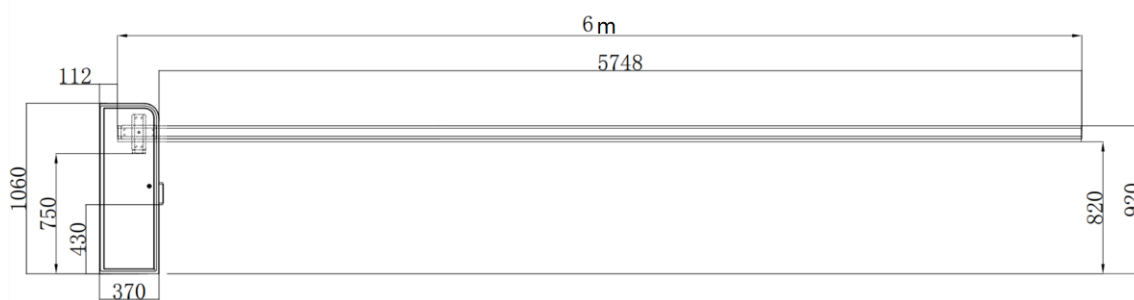
|   |   |
|---|---|
| EMC                                     | CE-EMC :<br>EN 55032: 2015/A11: 2020 + A1: 2020,<br>EN IEC 61000-3-2: 2019/A1: 2021,<br>EN 61000-3-3: 2013 + A1: 2019/A2: 2021,<br>EN 50130-4: 2011 + A1: 2014  |
| Security                                | CE-LVD:<br>EN 62368-1: 2014/A11: 2017<br>CB:<br>IEC 62368-1: 2014<br>IEC 62368-1: 2018  |
| Environment                             | ROHS  |
| Protection                              | IP54, IK09  |
| <b>Boom Pole</b>                        |   |
| Boom Pole Color                         | White background with red bar   |
| Boom Pole Weight                        | 3 m boom pole with LED strip light: 3.4 ± 0.3 kg (7.50 ± 0.66 lb.)<br>4 m boom pole with LED strip light: 4.4 ± 0.3 kg (9.70 ± 0.66 lb.)  |
| Boom Pole Dimensions (with Package)     | 3 m boom pole with LED strip light: 100 × 60 × 3035 mm (3.94 × 2.36 × 120.07 inch)<br>4 m boom pole with LED strip light: 100 × 60 × 4035 mm (3.94 × 2.36 × 159.45 inch)  |
| Boom Pole Weight (with Package)         | 3 m boom pole with LED strip light: 4.0 ± 0.3 kg (8.82 ± 0.66 lb.)<br>4 m boom pole with LED strip light: 5.2 ± 0.3 kg (11.46 ± 0.66 lb.)   |
| Color of Boom Pole with LED Strip Light | with LED strip light, green indicator for boom pole opening status<br>Boom pole other status: red indicator<br>Photometric parameters:<br>Red: luminous flux 39.44 lm, light effect 17.86 lm/W<br>Green: luminous flux 107.56 lm, light effect 45.65 lm/W<br>Working life (lighting time): 5800 h |
| Boom Pole Dimensions                    | 3 m boom pole with LED strip light: 95 × 49 × 3013 mm (3.74 × 1.93 × 118.62 inch)<br>4 m boom pole with LED strip light: 95 × 49 × 4013 mm (3.74 × 1.93 × 157.99 inch)  |
| Boom Pole Material                      | AL6061  |

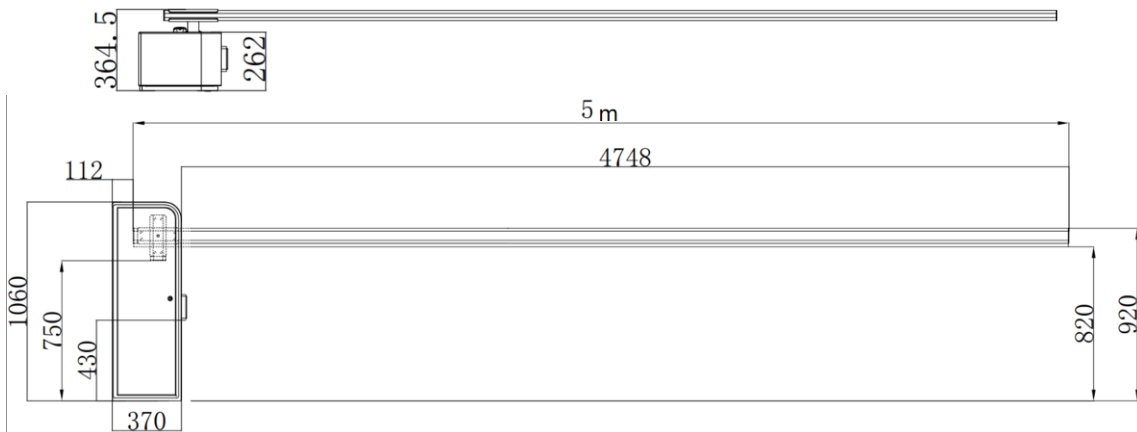
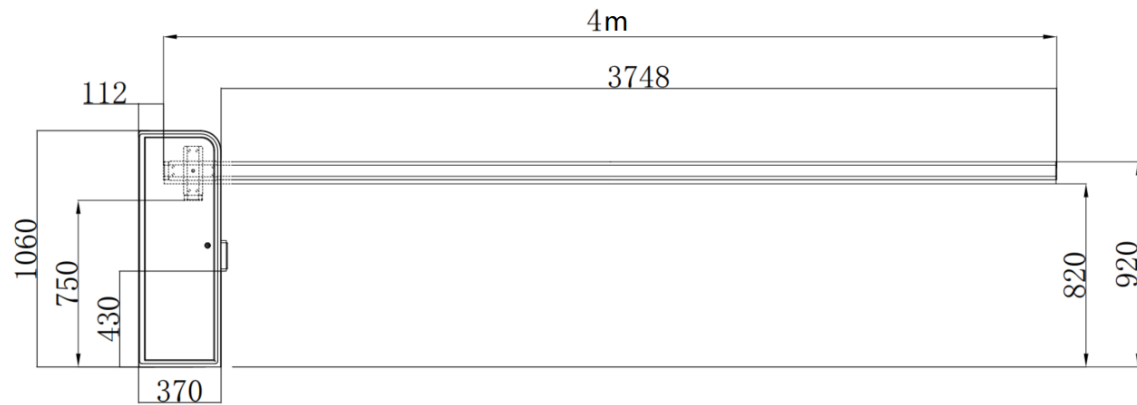
**Available Model**

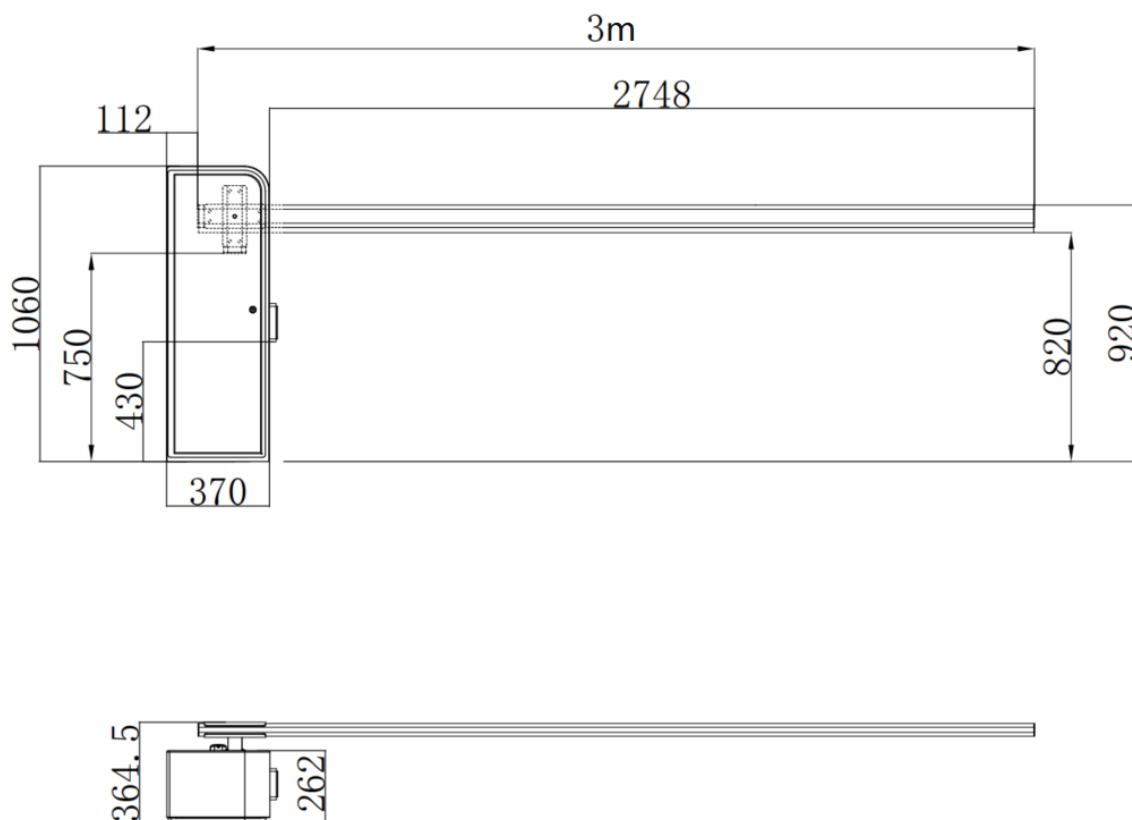
DS-TMG420/A(3 m light pole)

DS-TMG420/A(4 m light pole)

▪ Dimension







Unit: mm

**Headquarters**

No.555 Qianmo Road, Binjiang District,  
Hangzhou 310051, China  
T +86-571-8807-5998  
[www.hikvision.com](http://www.hikvision.com)



Follow us on social media to get the latest product and solution information.



Hikvision



HikvisionHQ



HikvisionHQ



Hikvision\_Global



Hikvision  
Corporate Channel



hikvisionhq