

DH-PFB110C-E

Ceiling Mount Bracket



Features

- Aesthetic design
- Ceiling mount bracket
- Adjustable length
- Material: Aluminum

Camera Mount Series | DH-PFB110C-E

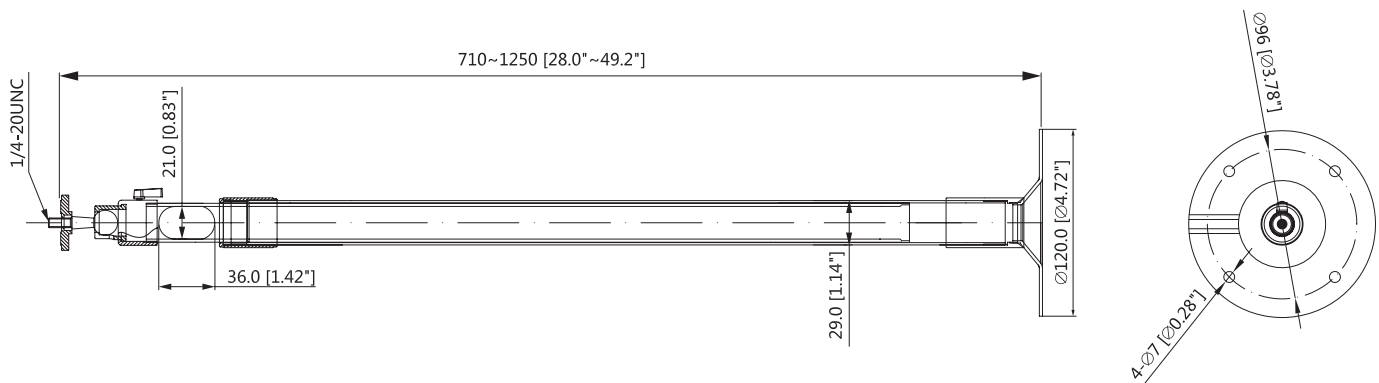
Technical Specification

Model	DH-PFB110C-E
General	
Material	Aluminum
Dimension (WxHxD)	φ120mmx710mm~φ120mmx1250mm (φ4.72"x28"~φ4.72"x49.2")
Weight	0.75kg (1.65lb)
Load Bearing (front)	1kg (2.2lb)
Color	White
Operating Temperature	-40 °C ~+60 °C (-40 °F ~+140 °F)
Humidity	0~90% RH
Installation	Ceiling mount
Applicable Model	Please see "Accessory Selector" on www.dahuasecurity.com

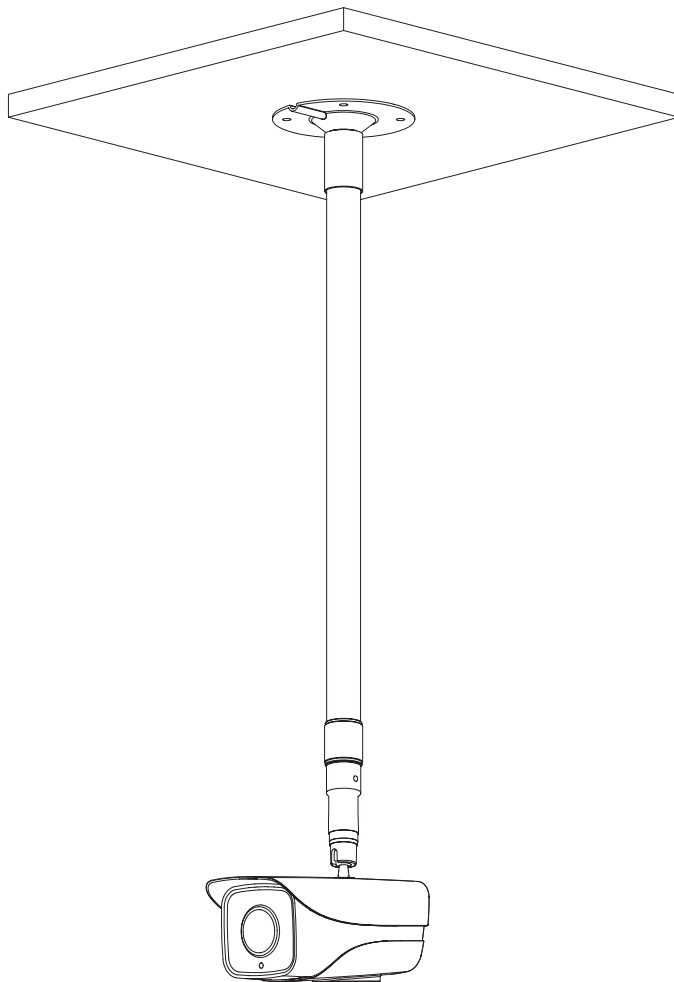
Ordering Information

Type	Part Number	Description
Camera Mount Series	DH-PFB110C-E	Ceiling mount bracket
	PFB110C-E	Ceiling mount bracket

Dimension(mm/inch)



Application



Package Information

- Ceiling mount bracket *1
- ST4.2 screw *4
- Plastic anchor *4