

QNE-7080RVW

4M H.265 NW IR Flateye Camera



Key Features

- Max. 4Megapixel (2592 x 1520) resolution
- 3.2~10mm (3.1x) motorized varifocal lens
- 0.2Lux@F1.6 (Color), 0Lux (B/W)
- Max. 20fps@4MP (H.265 / H.264), 30fps@2MP
- H.265, H.264, MJPEG codec support, Multiple streaming
- Day & Night, WDR (120dB)
- Tampering, Motion detection, Defocus detection
- microSD / SDHC / SDXC memory slot (Max. 128GB)
- Hallway view, WiseStream support
- IR Viewable length 30m
- LDC, PoE / 12V DC

Accessories (Optional)



SBP-300HMW5



SBP-300HM5



SBP-300TM1



SBF-100B1



SBP-300WMW1



SBP-300WM1



SBP-300WM



SBP-300PMW



SBP-300KMW



SBP-300LMW



SBP-300NBW



SBP-300BW



SBP-300CM



SBP-300LM



SBP-300PM



SBP-300B



SBP-300NB



SBP-300KM



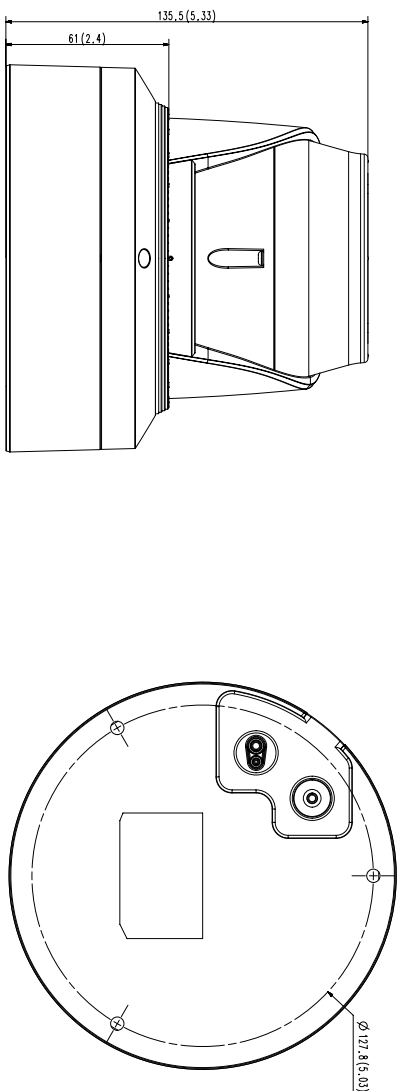
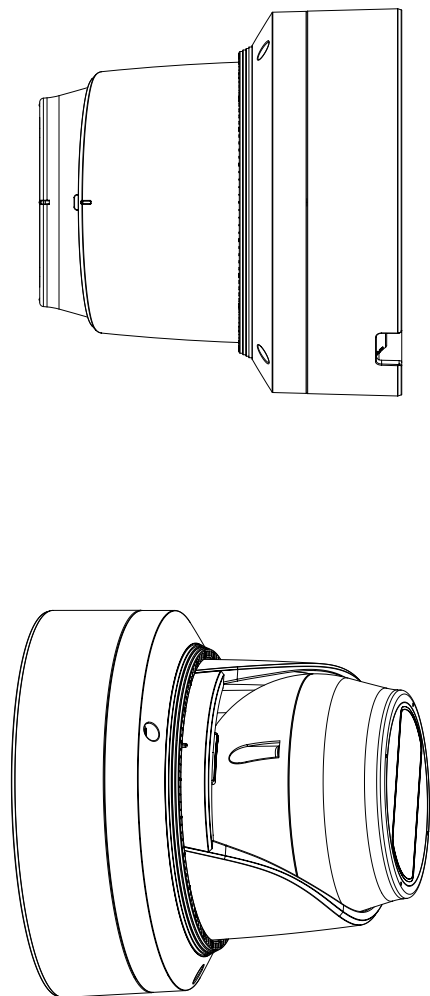
SBP-300CMW

Video	
Imaging Device	1/3" 4MP CMOS
Effective Pixels	2688(H)x1520(V)
Min. Illumination	Color: 0.2Lux(F1.6, 1/30sec) BW: 0Lux(IR LED on)
Lens	
Focal Length (Zoom Ratio)	3.2~10mm(3.1x) motorized varifocal
Max. Aperture Ratio	F1.6(Wide)~F2.9(Tele)
Angular Field of View	H: 100°(Wide)~30.5°(Tele) / V: 55.7°(Wide)~18.3°(Tele) / H: 119.6°(Wide)~35.3°(Tele)
Focus Control	Simple focus
Pan / Tilt / Rotate	
Pan / Tilt / Rotate Range	0°~350° / 0°~70° / 0°~355°
Operational	
IR Viewable Length	30m(98.42ft)
Camera Title	Displayed up to 20 characters
Day & Night	Auto(ICR)
Backlight Compensation	BLC, WDR, SDR
Wide Dynamic Range	120dB
Digital Noise Reduction	SSNR
Motion Detection	4ea, polygonal zones
Privacy Masking	6ea, rectangular zones
Gain Control	Low / Middle / High
White Balance	ATW / AWC / Manual / Indoor / Outdoor
LDC	Support
Electronic Shutter Speed	Minimum / Maximum / Anti flicker
Video Rotation	Flip, Mirror, Hallway view(90°/270°)
Analytics	Defocus detection, Motion detection, Tampering
Alarm I/O	Input 1ea / Output 1ea
Alarm Triggers	Analytics, Network disconnect, Alarm input
Alarm Events	File upload via FTP and e-mail Notification via e-mail SD/SDHC/SDXC or NAS recording at event triggers Alarm output
Audio In	
Audio In	Line in Supply voltage: 2.5VDC(4mA), Input impedance: 2K Ohm
Network	
Ethernet	RJ-45(10/100BASE-T)
Video Compression	H.265/H.264, MJPEG
Resolution	2592 x 1520, 2560 x1440 (16 : 9), 2304 x 1296, 1920 x 1080, 1280 x 1024, 1280 x 960, 1280 x 720, 1024 x 768, 800 x 600, 800 x 448, 720 x 576, 720 x 480, 640 x 480, 640 x 360, 320 x 240

Max. Framerate	H.265/H.264: Max. 30fps/25fps(60Hz/50Hz) MJPEG: Max. 15fps/12fps(60Hz/50Hz)
Smart Codec	WiseStream I
Bitrate Control	H.264/H.265: CBR or VBR MJPEG: VBR
Streaming	Unicast(6 users) / Multicast Multiple streaming (Up to 3 profiles)
Audio Compression	G.711 u-law /G.726 Selectable G.726(ADPCM) 8KHz, G.711 8KHz G.726: 16Kbps, 24Kbps, 32Kbps, 40Kbps
Protocol	IPv4, IPv6, TCP/IP, UDP/IP, RTP(UDP), RTP(TCP), RTCP, RTSP, NTP, HTTP, HTTPS, SSL/TLS, DHCP, FTP, SMTP, ICMP, IGMP, SNMPv1/v2c/v3(MIB-2), ARP, DNS, DDNS, QoS, PIM-SM, UPnP, Bonjour, LLDP
Security	HTTPS(SSL) Login Authentication Digest Login Authentication IP Address Filtering User access log 802.1X Authentication(EAP-TLS, EAP-LEAP)
Edge Storage	Micro SD/SDHC/SDXC 1slot 256GB (TBD)
Application Programming Interface	ONVIF Profile S/G SUNAPI(HTTP API)
Web Viewer	Supported OS: Windows 7, 8.1, 10, Mac OS X 10.10, 10.11, 10.12 Recommended Browser: Google Chrome Supported Browser: MS Explore11, MS Edge, Mozilla Firefox(Window 64bit only), Apple Safari(Mac OS X only)
Memory	512MB RAM , 256MB Flash
Environmental	
Operating Temperature / Humidity	-30°C ~ +55°C (-22°F ~ +131°F) / Less than 90% RH
Storage Temperature / Humidity	-30°C ~ +60°C (-22°F ~ +140°F) / Less than 90% RH
Certification	IP66, IK10
Electrical	
Input Voltage	PoE(IEEE802.3af, Class3), 12VDC
Power Consumption	PoE: Max 8.6W 12VDC: Max 7.7W
Mechanical	
Color / Material	White / Aluminum
RAL Code	RAL9003
Product dimensions / weight	Ø144.9x135.5mm(Ø5.7x5.33"), 1.3Kg(2.87lb)

- The latest product information / specification can be found at hanwha-security.com
- Design and specifications are subject to change without notice.
- Wisenet is the proprietary brand of Hanwha Techwin , formerly known as Samsung Techwin.

NO	PART NAME	CODE NO.	MATERIAL	QTY	REMARK
1				1	



STANDARD TOLERANCE

D17	M1	M2	M3	M4	M5	M6	M8	M10	M12	M16	M20	M25	M30	M36	M40	M45	M50	M55	M60	M65	M70	M75	M80	M85	M90	M95	M100
h18	h18	h18	h18	h18	h18	h18	h18	h18	h18	h18	h18	h18	h18	h18	h18	h18	h18	h18	h18	h18	h18	h18	h18	h18	h18	h18	h18

UNIT	MM	DESIGN	CHECK	APPROVAL	PART NAME	MODEL NAME	CODE NO.
SCALE							

Hanwha Techwin