



YLI ELECTRONIC

# Standard-type Electric Strike with Signal

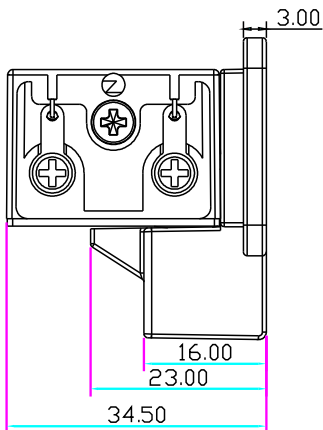
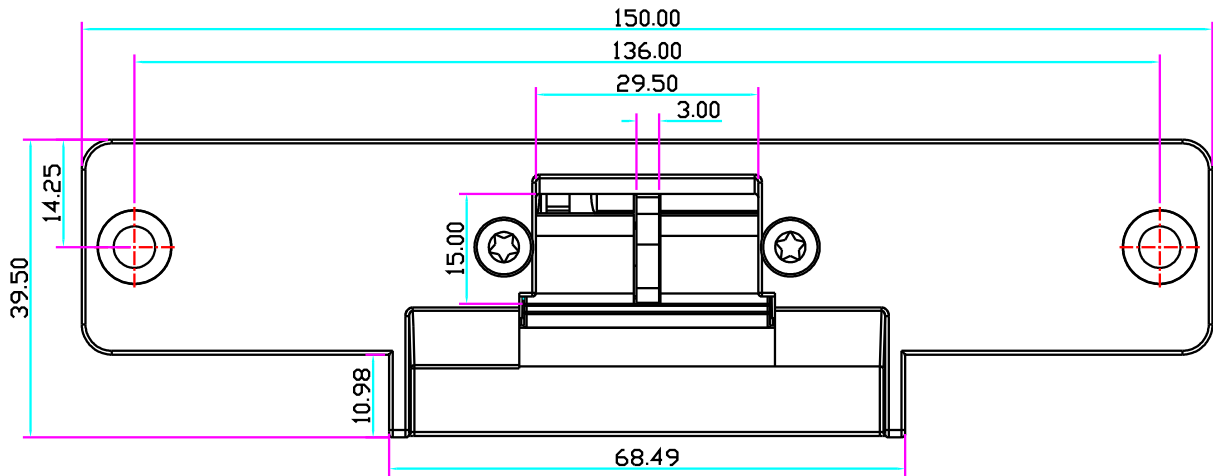


Model:YS-130NO/NC-S

## Specification

<b>Size</b>	150Lx39.5Wx34.5H(mm)
<b>Voltage</b>	12VDC
<b>Current</b>	200mA
<b>Feature</b>	FailSecure(YS-130NO-S) FailSafe(YS-130NC-S)
<b>Suitable For</b>	Wooden Door, Metal Door
<b>Finishing</b>	Electroplating
<b>Weight</b>	0.4kg

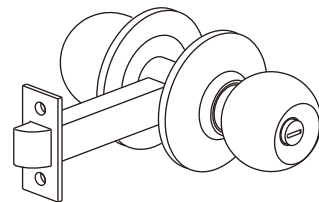
## Diagram(unit:mm)



### Options of Mechanical Lock

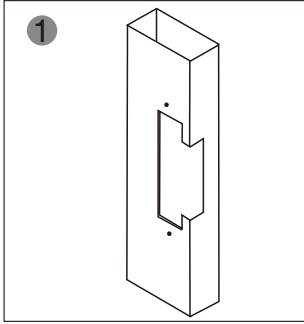


Mechanical Lock

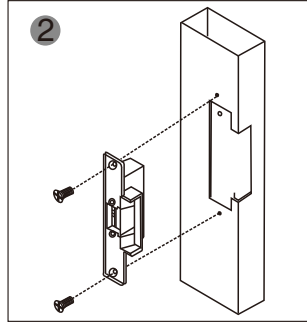


Knob lock

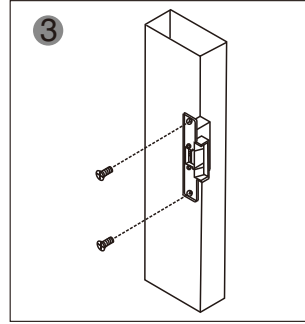
## Installation



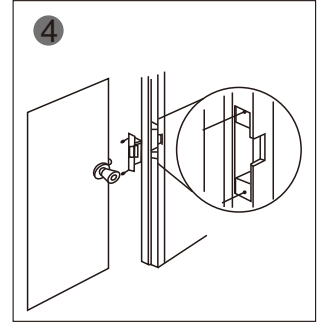
1 Cut hole according to the dimension of strike.



2 Assemble the lock and connect it to the power to test

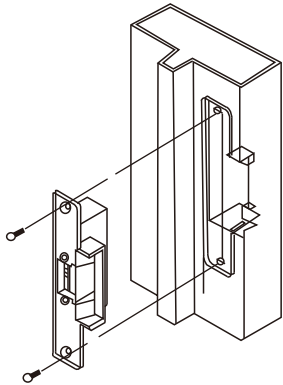


3 Fix the electric strike

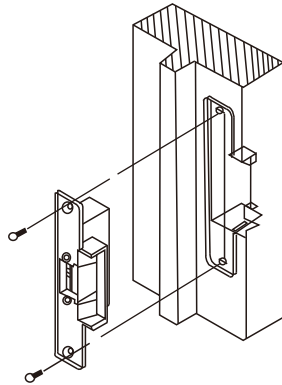


4 Finished

## Suitable for



Metal Door Frame

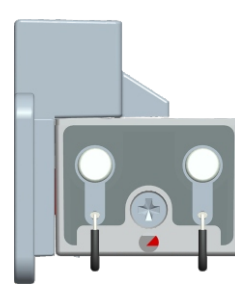


Wooden Door Frame

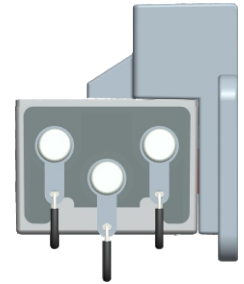
## Signal Output

NO } **Lock Status**  
 COM } N.C. contact output : open status  
 NC } N.O. contact output : closed status

+ } 12VDC (Positive and negative are the same)  
 - }



12VDC



NO COM NC

## Wire connection

