

VDP-D42XX Series

Video Intercom Villa Door Station

ENGLISH

Diagram References

1 Appearance

- ① Microphone
- ② Indicator
- ③ Camera
- ④ Loudspeaker
- ⑤ Button
- ⑥ Card Reading Area
- ⑦ IR Light
- ⑧ Micro SD Card Slot(Reserved) & Debugging Port
- ⑨ Network Interface
- ⑩ Terminals

Note: The debugging port is used for debugging only.

Indicator Description: Unlock: Green, Call: Orange, Communicate: White

2 Terminal and Wiring

- NC: Door Lock Relay Output (NC) 485-: RS-485 Interface (Reserved)
- NO: Door Lock Relay Output (NO) 485+: RS-485 Interface (Reserved)
- COM: Common Interface 12 VDC IN: Power Supply Input
- AIN1: For the access of Door Contact GND: Grounding
- AIN3: For the access of Exit Button LAN: Network Interface
- AIN2&AIN4: Reserved

3 Installation Accessory

- ① Mounting Template
- ② Mounting Plate

Note: The dimension of the mounting plate is 174 mm x 83.66 mm x 18 mm.

4 Installation

Note: Video intercom villa door station supports surface mounting.

Before You Start

- Make sure all related equipments are power-off during the installation.
- Tools that you need to prepare for installation: Drill (ø2.846) and gradienter.
- Purchase the protective shield before installation.

★ Surface Mounting without Protective Shield

1. Stick the mounting template on the wall. Drill screw holes according to the mounting template. Remove the template from the wall.
2. Secure the mounting plate on the wall with 4 supplied screws according to the screw holes.
3. Secure the device on the mounting plate with 4 supplied set screws.
4. Fix the cover onto the device with the screw.

★ Surface Mounting with Protective Shield

1. Stick the mounting template on the wall. Drill screw holes according to the mounting template. Remove the template from the wall.
2. Align the protective shield with mounting template.
3. Secure the mounting plate on the wall with 4 supplied screws according to the screw holes.
4. Secure the device on the mounting plate with 4 supplied set screws.
5. Fix the cover onto the device with the screw.

★ Surface Mounting without Protective Shield

1. Stick the mounting template on the wall. Drill the hole according to the mounting template. Remove the template from the wall. The suggested size of hole is 175 mm x 84 mm x 19 mm.
2. Install the gang box into the hole with 4 screws.
3. Insert the device to the gang box. Secure the device with 4 supplied screws.
4. Fix the cover onto the device with the screw.

★ Surface Mounting with Protective Shield

1. Stick the mounting template on the wall. Drill the hole according to the mounting template. Remove the template from the wall. The suggested size of hole is 175 mm x 84 mm x 19 mm.
2. Install the gang box into the hole with 4 screws.
3. Align the protective shield with gang box.
4. Insert the device to the gang box. Secure the device with 4 supplied screws.
5. Fix the cover onto the device with the screw.

5 Configuration via Web

1 Activate Device via Web

You are required to activate the device first by settings a strong password before you can use the device.

Default parameters of door station are as follows:

- Default IP Address: 192.0.0.65
- Default Port No.:8000
- Default User Name: admin

1. Power on the device, and connect the device to the network.
2. Enter the IP address into the address bar of the web browser, and click Enter to enter the activation page.

Note: The computer and the device should belongs to the same subnet.

3. Create and enter a password into the password field.
4. Confirm the password.
5. Click OK to activate the device.

Note: When the device is not activated, the basic operation and remote configuration of device cannot be performed.

2 Access to the Device by Web Browsers

1. In the browser address bar, enter the IP address of the device, and press the Enter key to enter the login page.
2. Enter the user name and password and click Login.

3 Communicate with Indoor Station

1. Click Settings -> Intercom -> Press Button to Call to enter the settings page.
2. Set the parameters.

- Edit call No. for every button.
- Check Call Management Center to set the button calling center.

Note: If you check Call Management Center and set the call No. as well, call management center has higher privilege than call No.

3. Press button to call indoor station.

4 Issue Card

1. Click Settings -> Access Control and Elevator Control to enter the settings page.
2. Click Issue Card. Present the card on the card reading area.
3. When issuing finished, the windows pop up on the settings page.

Note:
 • Only Mifare card supported, and Mifare card with non-standard shape is recommended.
 • Up to 10000 cards can be issued and managed by V series door station. A voice prompt (No more cards can be issued.) can be heard when the issued card amount exceeds the upper limit.

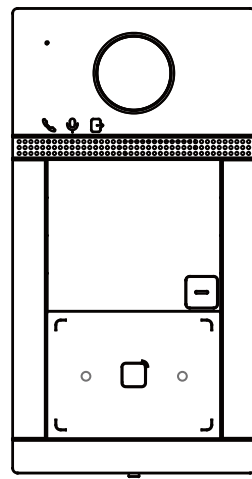
5 Unlock Door

After issuing cards, you can unlock the door by presenting the issued cards.

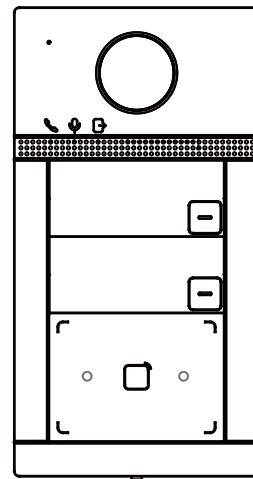
Поставщик систем безопасности TELECAMERA.RU

1

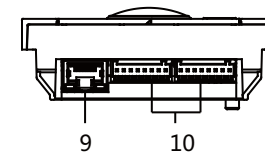
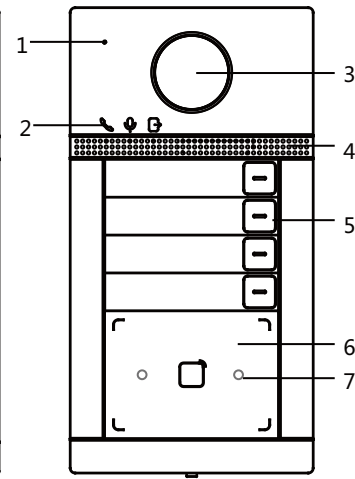
Single-Button



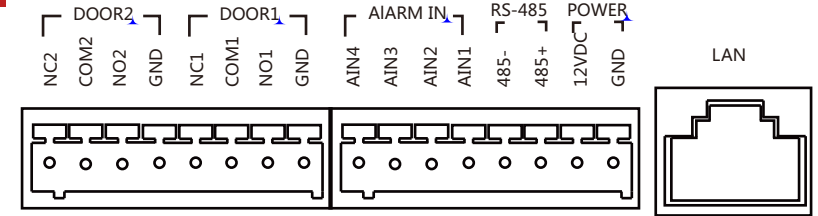
Two-Button



Four-Button

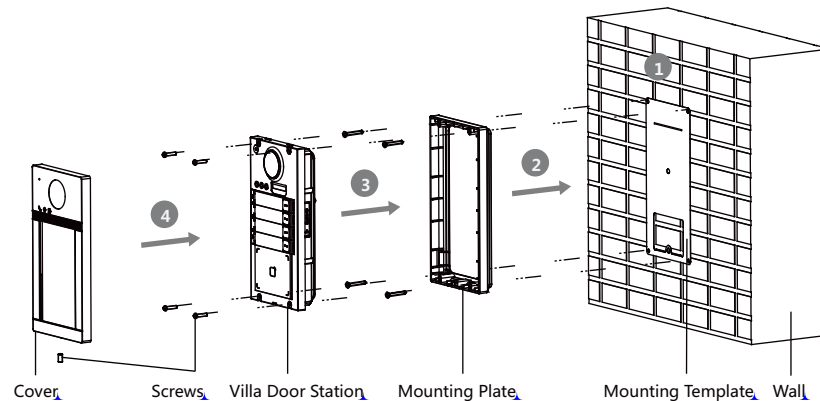


2

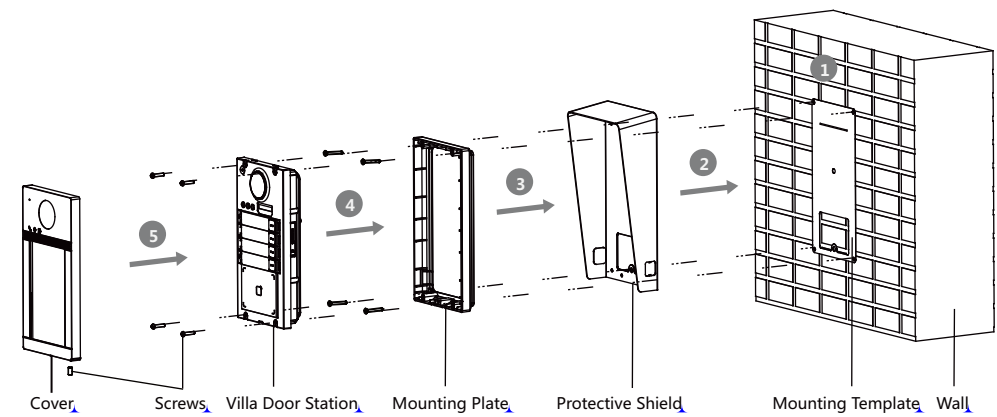


4

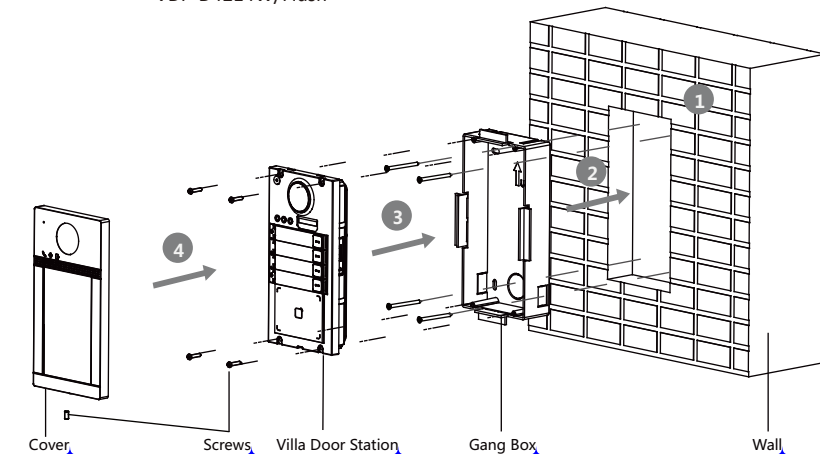
★ VDP-D4211W
VDP-D4212W
VDP-D4214W



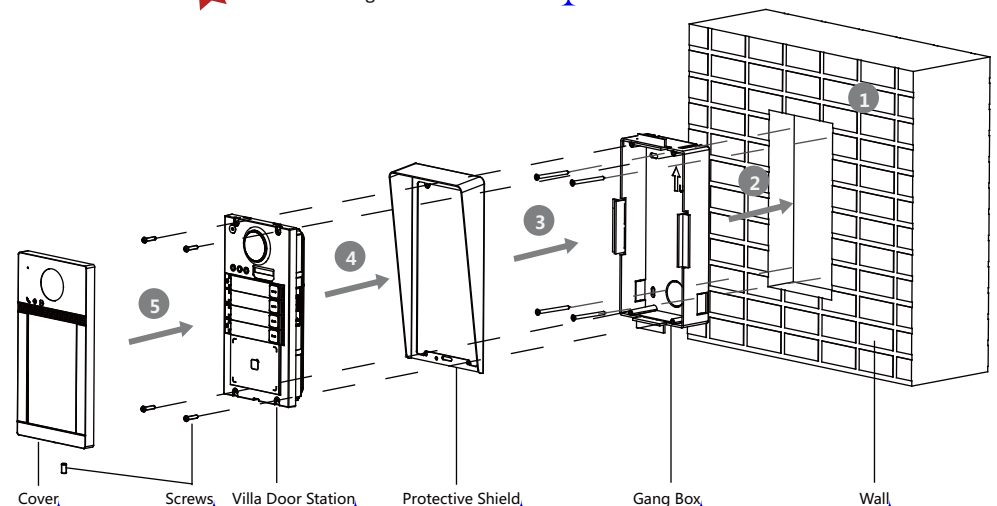
★ Surface Mounting with Protective Shield



★ VDP-D4211W/Flush
VDP-D4212W/Flush
VDP-D4214W/Flush



★ Flush Mounting with Protective Shield



FRANÇAIS

Références du schéma

1 Apparence

- | | | |
|---------------------------|---|-----------------------------------|
| 1 Microphone | 2 Indicateur | 3 Caméra |
| 4 Haut-parleur | 5 Touche | 6 Zone de lecture de carte |
| 7 Éclairage IR | 8 Fente pour carte microSD et port de débogage | |
| 9 Interface réseau | 10 Bornes | |

Remarque : l'apparence de l'appareil varie selon le modèle. Reportez-vous à l'appareil proprement dit.

Description de l'indicateur

Déverrouillage : Vert Appeler : orange Communiquer : blanc

2 Borne et câblage

Remarque : reportez-vous au manuel d'utilisation pour une description du câblage.

3 Accessoire d’installation

Remarque : pour connaître les dimensions des accessoires d’installation, veuillez vous reporter au manuel d'utilisation.

4 Installation

Avant de commencer

- Assurez-vous que l'appareil dans son emballage est en bonne condition et que toutes les pièces de montage sont incluses.
- Assurez-vous que tous les équipements connexes sont hors tension pendant l’installation.
- Vérifiez que les spécifications du produit sont adéquates à l’environnement d’installation.

Remarque : pour l'installation, reportez-vous à la figure et au manuel d'utilisation.

5 Configuration

1 Activer un appareil

Vous devrez d'abord activer l'appareil en définissant un mot de passe fort avant de pouvoir l'utiliser.

Activez l'appareil à distance via le logiciel client Guarding Vision

2 Configuration à distance

Remarque : Pour plus de détails sur la configuration, consultez le manuel d'utilisation.

DEUTSCH

Verweise auf Schaubilder

1 Aufbau

- | | | |
|----------------------------|---|----------------------------|
| 1 Mikrofon | 2 Statusanzeige | 3 Kamera |
| 4 Lautsprecher | 5 Taste | 6 Kartenlesebereich |
| 7 IR-Licht | 8 microSD-Kartensteckplatz und Debugging-Anschluss | |
| 9 Netzwerkanschluss | 10 Anschlussklemmen | |

Hinweis: Der Aufbau des Geräts variiert je nach Modell. Beziehen Sie sich auf das tatsächliche Gerät.

Anzeigen

Entriegeln: Grün Anruf: Orange Kommunikation: Weiß

2 Anschlüsse und Verkabelung

Hinweis: Die Beschreibung der Verkabelung finden Sie im Benutzerhandbuch.

3 Installationszubehör

Hinweis: Entnehmen Sie den Umfang des Installationszubehörs dem Benutzerhandbuch.

4 Installation

Bevor Sie beginnen

- Achten Sie darauf, dass sich das Gerät in der Verpackung in gutem Zustand befindet und alle Montageteile enthalten sind.
- Achten Sie darauf, dass alle relevanten Geräte während der Montage ausgeschaltet sind.
- Überprüfen Sie die Produktspezifikation für die Installationsumgebung.

Hinweis: Einzelheiten zur Installation finden Sie in der Abbildung und im Benutzerhandbuch.

5 Konfiguration

1 Gerät aktivieren

Bevor Sie das Gerät benutzen können, müssen Sie zunächst ein sicheres Passwort festlegen, um das Gerät zu aktivieren.

Aktivierung aus der Ferne über das Web oder die Guarding Vision Client-Software.

2 Fernkonfiguration

Hinweis: Weitere Informationen zur Konfiguration finden Sie im Benutzerhandbuch.

Поставщик систем безопасности TELECAMERA.RU

ESPAÑOL

Referencias del diagrama

1 Apariencia

- | | | |
|--------------------------|---|--------------------------------------|
| 1 Micrófono | 2 Piloto | 3 Cámara |
| 4 Altavoz | 5 Botón | 6 Área de lectura de tarjetas |
| 7 Luz IR | 8 Ranura para tarjeta microSD y puerto de depuración | |
| 9 Interfaz de red | 10 Terminales | |

Nota: el aspecto del dispositivo varía en función del modelo. Remítase al dispositivo en cuestión.

Descripción del indicador

Desbloquear: Verde Llamar: naranja Comunicar: blanco

2 Terminal y cableado

Nota: Para ver una descripción del cableado, consulte el manual de usuario.

3 Accesorio de instalación

Nota: consulte el manual de usuario para ver las dimensiones de los accesorios de instalación.

4 Instalación

Antes de comenzar

- Asegúrese de que el dispositivo incluido esté en buenas condiciones y se incluyan todas las piezas de ensamblaje.
- Asegúrese de que todos los equipos relacionados estén apagados durante la instalación.
- Consulte las especificaciones del producto al realizar la instalación.

Nota: Nota: consulte las ilustraciones y el manual de usuario para conocer el procedimiento de instalación.

5 Configuración

1 Activar dispositivo

1 Antes de poder utilizar el dispositivo es necesario activarlo estableciendo una contraseña segura.

Actívelo a distancia a través de la página web o el software de cliente Guarding Vision.

Configuración remota

2 Nota: consulte el manual de usuario para ver la configuración.

PORTUGUÊS

Referências do diagrama

1 Aspeto

- | | | |
|--------------------------------|--|-------------------------------------|
| 1 Microfone | 2 Indicador | 3 Câmara |
| 4 Altifalante | 5 Botão | 6 Área de leitura de cartões |
| 7 Luz de infravermelhos | 8 Ranhura para cartão micro SD e porta de depuração | |
| 9 Interface de rede | 10 Terminais | |

Nota: O aspeto do dispositivo varia consoante o modelo. Consulte o próprio dispositivo.

Descrição do indicador

Desbloqueado: Verde Chamada: Cor de laranja Comunicar: Branco

2 Terminal e cablagem

Nota: Para obter a descrição da fiação, consulte o Manual de Utilizador.

3 Acessório para instalação

Nota: Para obter a dimensão dos acessórios para instalação, consulte o Manual do Utilizador.

4 Instalação

Antes de começar

- Certifique-se de que o dispositivo na embalagem se encontra em boas condições e de que todas as peças de montagem estão incluídas.
- Certifique-se de que, durante a instalação, todo o equipamento relacionado se encontra desligado.
- Verifique a especificação do produto para o ambiente de instalação.

Nota: Para a instalação, consulte a figura e o Manual do Utilizador.

5 Configuração

1 Ativar dispositivo

Antes de poder utilizar o dispositivo, é necessário ativá-lo primeiro, definindo uma palavra-passe segura.

Ative o dispositivo remotamente através da Web ou do software Guarding Vision do cliente.

2 Configuração remota

Nota: Para obter informações sobre a configuração remota, consulte o Manual do Utilizador.

NEDERLANDS

Schemareferenties

1 Uiterlijk

- | | | |
|---------------------------|---|----------------------------|
| 1 Microfoon | 2 Pictogram | 3 Camera |
| 4 Luidspreker | 5 Toets | 6 Kaartleesgedeelte |
| 7 IR-verlichting | 8 Micro-SD-kaartsleuf en foutopsporingspoort | |
| 9 Netwerkimterface | 10 Aansluitingen | |

Opmerking: De verschijningsvorm van het apparaat kan variëren naar gelang de verschillende modellen. Verwijst naar het daadwerkelijke apparaat.

Indicatorbeschrijving

Ontgrendelen: Groen Bellen: Oranje Communiceren: Wit

2 Aansluitingen en bedrading

Opmerking: De omschrijving van de bedrading verwijst naar de gebruiksaanwijzing.

3 Installatie-accessoire

Opmerking: Raadpleeg de gebruikershandleiding voor de afmetingen van installatie-accessoires.

4 Installatie

Vaordat u begint

- Zorg dat het verpakte apparaat zich in goede staat bevindt en er geen onderdelen ontbreken.
- Zorg dat alle bijbehorende apparatuur tijdens de installatie is uitgeschakeld.
- Controleer de productspecificatie op geschiktheid in de installatieomgeving.

Opmerking: Raadpleeg voor installatie de afbeeldingen en de gebruikershandleiding.

5 Configuratie

1 Apparaat activeren

U dient het apparaat voor gebruik eerst te activeren door er een sterk wachtwoord voor in te stellen.

Activeer op afstand via internet of Guarding Vision-clientsoftware.

2 Configuratie op afstand

Opmerking: Raadpleeg de gebruikershandleiding voor de configuratie.

ČEŠTINA

Popis obrázků

1 Vzhled

- | | | |
|--------------------------|--|-----------------------------|
| 1 Mikrofon | 2 Indikátor | 3 Kamera |
| 4 Reproduktor | 5 Tlačítko | 6 Oblast čtení karty |
| 7 Osvětlení IR | 8 Slot pro kartu Micro SD a ladicí port | |
| 9 Síťové rozhraní | 10 Svorky | |

Poznámka: Vzhled zařízení se u různých modelů liší. Viz konkrétní zařízení.

Popis indikátoru

Odemknout: Zelená Volání: Oranžová Komunikace: Bílá

2 Svorka a zapojení

Poznámka: Popis zapojení viz uživatelská příručka.

3 Příslušenství pro instalaci

Poznámka: Rozměry příslušenství pro instalaci naleznete v uživatelské příručce.

4 Montáž

Dříve než začnete

- Ujistěte se, zda je zařízení v balení v dobrém stavu a zda jsou přítomny všechny dodávané součásti.
- Ujistěte se, že veškerá příslušná zařízení jsou během instalace vypnutá.
- Zkontrolujte technické údaje produktu týkající se prostředí instalace.

Poznámka: Při instalaci se řiďte obrázkem a uživatelskou příručkou.

5 Konfigurace

1 Aktivace zařízení

Před použitím zařízení je musíte aktivovat nastavením silného hesla.

Zařízení se aktivuje vzdáleně na webu nebo prostřednictvím klientského softwaru Guarding Vision.

2 Vzdálená konfigurace

Poznámka: Konfiguraci naleznete v uživatelské příručce.

ITALIANO

Riferimento schemi

1 Aspetto

- | | | |
|------------------------------|---|---------------------------------|
| 1 Microfono | 2 Indicatore | 3 Telecamera |
| 4 Altoparlante | 5 Pulsante | 6 Area di lettura schede |
| 7 Luce IR | 8 Slot per scheda microSD e porta di debugging | |
| 9 Interfaccia di rete | 10 Terminali | |

Nota: l'aspetto del dispositivo varia in base al modello. Fare riferimento al dispositivo effettivo.

Descrizione degli indicatori

Sblocco: Verde Chiamata: arancione Comunicazione: bianco

2 Terminale e cablaggio

Nota: la descrizione del cablaggio fa riferimento al Manuale dell'utente.

3 Accessori per l’installazione

Nota: Per le dimensioni degli accessori di installazione, consultare il Manuale dell'utente.

4 Installazione

Prima di iniziare

- Verificare il dispositivo contenuto nella confezione sia in buone condizioni e che tutti gli elementi di assemblaggio siano presenti.
- Verificare che durante l'installazione tutte apparecchiature correlate siano spente.
- Controllare che le specifiche del prodotto corrispondano a quelle dell'ambiente di installazione.

Nota: Per l'installazione, fare riferimento alla figura e al Manuale dell'utente.

5 Configurazione

1 Attiva dispositivo

Prima di utilizzare il dispositivo è necessario attivarlo impostando una password sicura.

Attivazione remota via Web o tramite il software client Guarding Vision.

2 Configurazione remota

Nota: Per la configurazione, consultare il Manuale dell'utente.

DANSK

Diagramoversigt

1 Beskrivelse

- | | | |
|-----------------------|--|---------------------------------|
| 1 Mikrofon | 2 Kontrollampe | 3 Kamera |
| 4 Højttaler | 5 Knap | 6 Område til kortlæsning |
| 7 IR-lampe | 8 Holder til microSD-kort og fejlfindingsport | |
| 9 Netværksstik | 10 Terminaler | |

Bemærk: Enhedens udseende kan variere afhængigt af model. Der henvises til den faktiske enhed.

Beskrivelse af kontrollampe

Lås op: Grøn Opkald: Orange Kommunikér: Hvid

2 Terminal og ledningsføring

Bemærk: For beskrivelse af kabelføring henvises til brugervejledningen.

3 Installationstilbehør

Bemærk: Find målene for installationstilbehør i brugervejledningen.

4 Installation

Før du starter

- Kontrollér, at enheden i pakken er i god tilstand, og at alle dele til samling medfølger.
- Kontrollér, at alt tilknyttet udstyr er slukket under installationen.
- Kontrollér produktspecifikationerne for installationsmiljøet.

Bemærk: Find oplysninger om installationen i figuren og brugervejledningen.

5 Konfiguration

1 Aktivér enhed

Du skal først aktivere enheden ved at indstille en stærk adgangskode, før du kan anvende enheden.

Aktivér via fjernbetjening på nettet eller via Guarding Vision-klientsoftware.

2 Fjernbetjent konfiguration

Bemærk: Find oplysninger om konfiguration i brugervejledningen.

