

# **DH-PFM885-I 2.4G Wireless Device**

## **Quick Config Manual**

**V1.0.0**

**Zhejiang Dahua Vision Technology Co., LTD**

## Important Safeguards and Warnings

Please read the following safeguards and warnings carefully before using the product in order to avoid damages and losses.

### Attentions:

- Do not expose the device to lampblack, steam or dust. Otherwise it may cause fire or electric shock.
- Do not install the device at position exposed to sunlight or in high temperature. Temperature rise in device may cause fire.
- Do not expose the device to humid environment. Otherwise it may cause fire.
- The device must be installed on solid and flat surface in order to guarantee safety under load and earthquake. Otherwise, it may cause device to fall off or turnover.
- Do not place the device on carpet or quilt.
- Do not block air vent of the device or ventilation around the device. Otherwise, temperature in device will rise and may cause fire.
- Do not place any object on the device.
- Do not disassemble the device without professional instruction.

### Warning:

- Please use battery properly to avoid fire, explosion and other dangers.
- Please replace used battery with battery of the same type.
- Do not use power line other than the one specified. Please use it properly. Otherwise, it may cause fire or electric shock.

### Special Announcement:

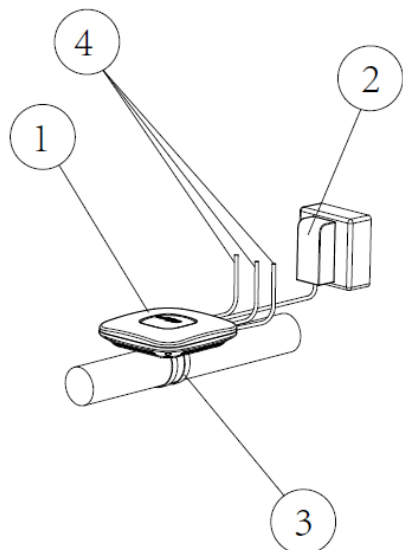
- This manual is for reference only.
- All the designs and software here are subject to change without prior written notice.
- All trademarks and registered trademarks are the properties of their respective owners.
- If there is any uncertainty or controversy, please refer to the final explanation of us.
- Please visit our website for more information.

## Table of Contents

<b>1</b>	<b>Cable Connection.....</b>	<b>- 3 -</b>
<b>2</b>	<b>Typical Working Mode.....</b>	<b>- 4 -</b>
<b>3</b>	<b>Device Config .....</b>	<b>- 5 -</b>
<b>4</b>	<b>Appendix 1 Technical Specifications.....</b>	<b>- 9 -</b>

# 1 Cable Connection

Please refer to Figure 1-1 for the connection of DH-PFM885-I.



1. DH-PFM885-I equipment
2. DC 12V power supply(POE power supply is standard, which is with 1\*LAN RJ45)
3. Metal hoops for installing the equipment
4. 3\*LAN RJ45 for connecting the cameras

Note:

1. One set of wireless device has two wireless equipments, two POE power supplies.
2. One wireless equipment is installed at the top of the elevator car, and the other one is installed inside the elevator shaft, all be fixed by the metal hoops.
3. If used POE power supply for the wireless equipment, there is 1\*LAN RJ45 which can be connected with camera; if used private DC12V power supply, there are 3\*LAN RJ45 which all can be connected with cameras.

Figure 1-1

Please refer to sheet 1-1 for more details about the port.

Device model	Port	Port name	Connection and function
DH-PFM885-I	3 RJ45 ports	PoE	Connect to the “PoE” on the PoE power device via twisted pair, and provide power and data transmission to the device.
		LAN	“LAN” port can be used to connect to IP camera; you can select any LAN port for device debugging.

## 2 Typical Working Mode

The product can be applied for monitoring video transmission inside the elevator well, meanwhile it can use multi port to carry advertisement player inside the elevator to realize update of realtime information. The return link of data can be realized by relying on the current property management network or installing outdoor wireless device.

- **Well wireless + current property management network:**

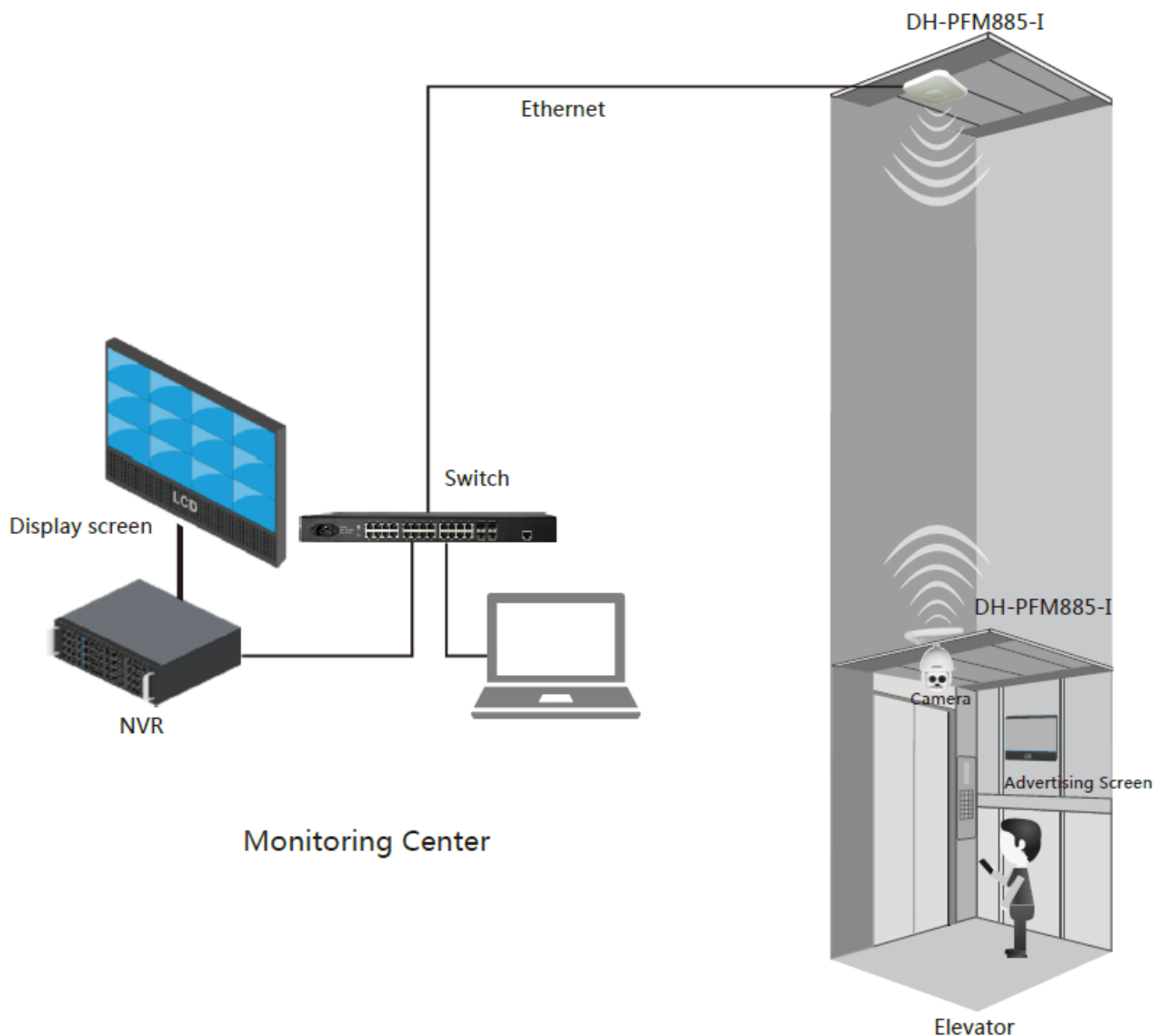


Figure 2-1

**Note:**

Different SP “Access Point” mode device should be configured with different “frequency/channel” during multi AP deployment in LAN, which is to avoid interference between devices.

## 3 Device Config

### Precondition

Please refer to the cable connection figure to connect the device to mainframe and power it on.

### Operation Steps

It is to configure elevator room and elevator car via the following steps, normal communication can be realized after config is completed.

- Configure Elevator Car Device (Access Point Mode)

#### Step 1

Configure the computer IP address as the address which is not used in the LAN, such as 192.168.1.180.

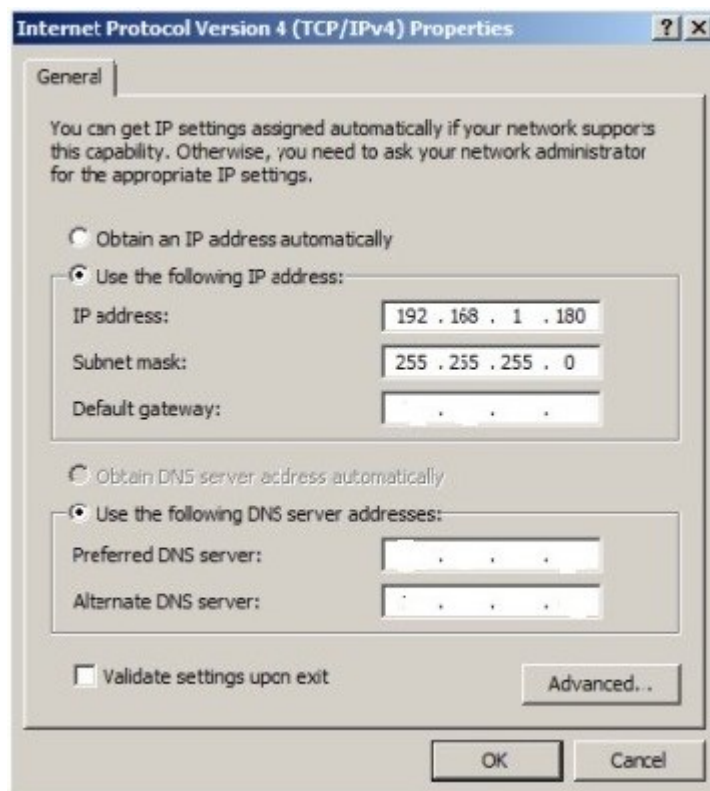
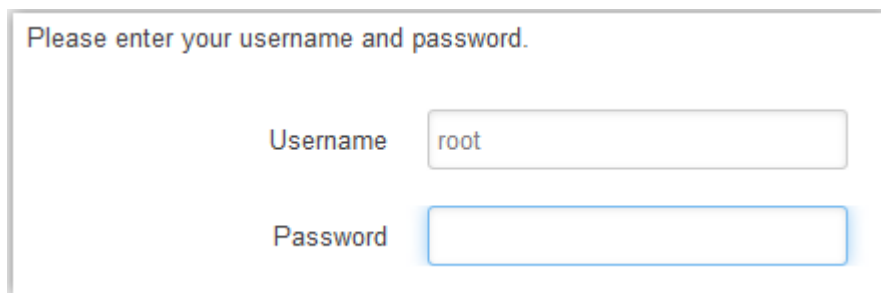


Figure 3-1

#### Step 2

Use browser to log in the device, the default IP address of DH-PFM885-I access point is 192.168.1.35. The username is root, password is admin;



Please enter your username and password.

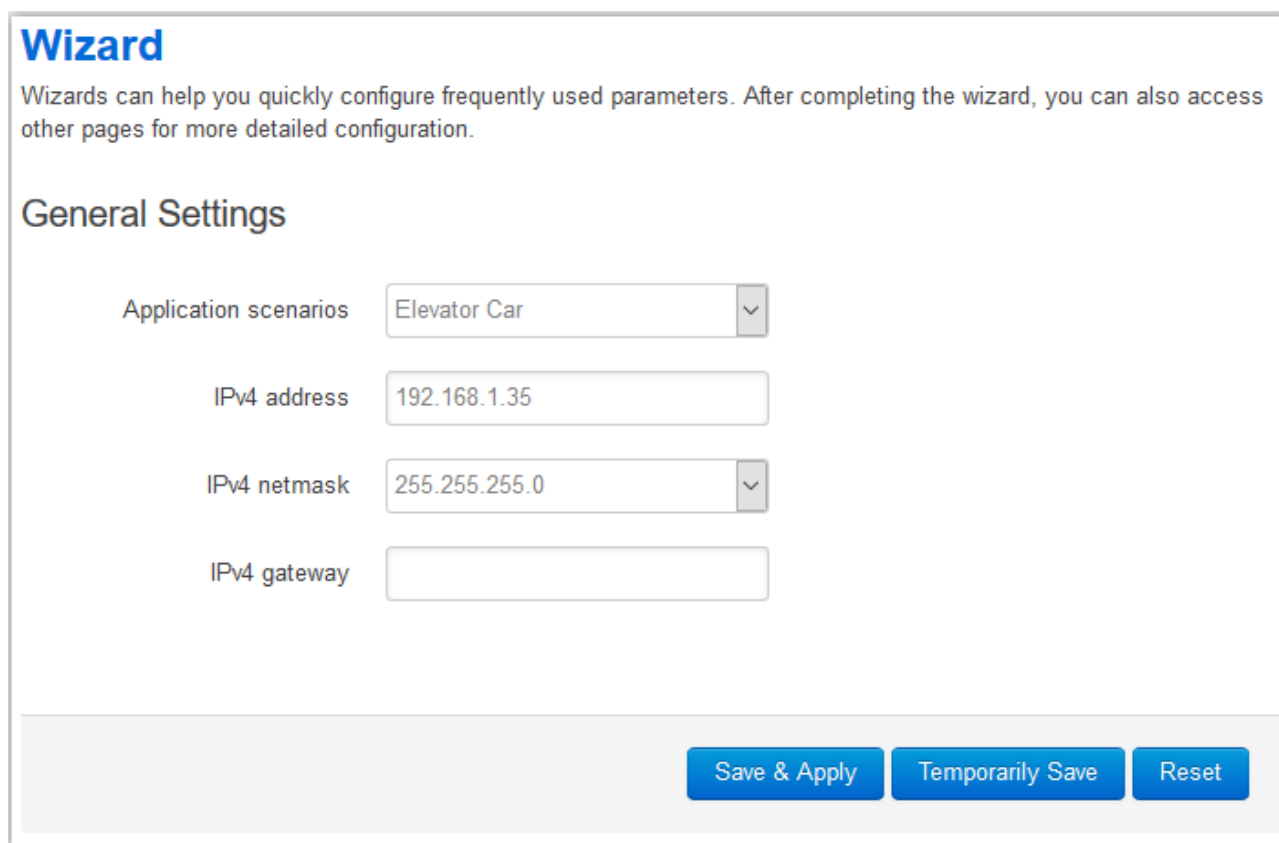
Username

Password

Figure 3-2

**Step 3**

Click “Wizard” option after login. Please set LAN IP as the unused address in the LAN during this step. Please click “Save & Apply” to make it valid after setting is finished.



### Wizard

Wizards can help you quickly configure frequently used parameters. After completing the wizard, you can also access other pages for more detailed configuration.

#### General Settings

Application scenarios

IPv4 address

IPv4 netmask

IPv4 gateway

Figure 3-3

- Configure Elevator Room Device (Client Mode)

**Step 1**

Configure the computer IP address as the address which is not used in the LAN, such as 192.168.1.180.

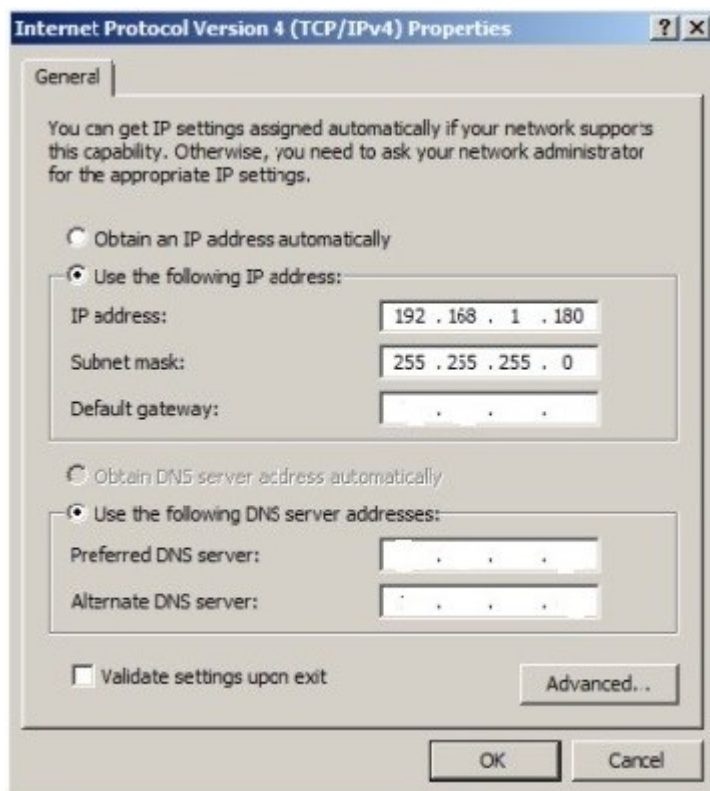


Figure 3-4

### Step 2

Use browser to log in the device, the default IP address of DH-PFM885-I access point is 192.168.1.35. The username is root, password is admin;

Figure 3-5

### Step 3

Click "Wizard" option after login. Please set LAN IP as the unused address in the LAN during this step. Please click "Save & Apply" to make it valid after setting is finished.



## Wizard

Wizards can help you quickly configure frequently used parameters. After completing the wizard, you can also access other pages for more detailed configuration.

### General Settings

Application scenarios	<input type="text" value="Elevator Room"/>
IPv4 address	<input type="text" value="192.168.1.36"/>
IPv4 netmask	<input type="text" value="255.255.255.0"/>
IPv4 gateway	<input type="text"/>

Figure 3-6

## 4 Appendix 1 Technical Specifications

	Item	Parameter
Wireless	Standard	IEEE802.11 b/g/n (2T2R 300Mbps)
	Working frequency	2400~2500MHz (support frequency extension, extension range: 2312-2732MHz)
	Antenna	Built-in antenna: gain 6dBi horizontal 65°, vertical 60°
	Output power	27dBm
	Receive sensitivity	-72dBm@65Mbps, -97dBm@1Mbps
	Max transmission speed	11n: 300Mbps(40M channel width), 130(20M channel width)
		11g: 54Mbps
Hardware	Working voltage	48V PoE or 12V DC
	Port	3×10/100M Base-TX (Cat. 5/5E, RJ-45) network port
	Working temperature	-30°C ~ +65°C
	Storage temperature	-40°C ~ +85°C
	Working humidity	5%~95%RH non-condensation
	Dimension	150*150*31.6mm
Software	Working scenario selection	Elevator car/elevator room
	Encryption mode	WPA-PSK/WPA2-PSK

Network mode	Route/Bridge
Security mechanism	IP/MAC address filter, conceal network name, port isolation
Network protocol	TCP/UDP/ARP/ICMP/DHCP/HTTP/NTP
TDMA enhance	Support (extend private communication protocol)
Auto ACK timing adjust	Support ( auto adapt to the change of transmission distance, make performance always in the optimal state )
management and log	NTP, Syslog, Telnet, AC
Webpage config management	Support webpage config
Firmware update	Support Firmware webpage update
Bandwidth flexible config	20M/40MHz

#### Note

- This user's manual is for reference only.
- Slight difference may be found in user interface.
- All the designs and software here are subject to change without prior written notice.
- All trademarks and registered trademarks are the properties of their respective owners.
- If there is any uncertainty or controversy, please refer to the final explanation of us.
- Please visit our website for more information.



#### **Dahua Technology CO., LTD.**

Address: No.1199 Bin'an Road, Binjiang District, Hangzhou, PRC.

Postcode: 310053

Tel: +86-571-87688883

Fax: +86-571-87688815

Email: [overseas@dahuatech.com](mailto:overseas@dahuatech.com)

Website: [www.dahuasecurity.com](http://www.dahuasecurity.com)