



Floor and Wall Mount Door Holder

Model:YD-605

Basic Instruction

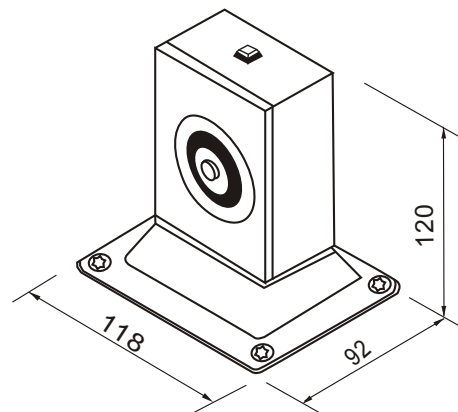
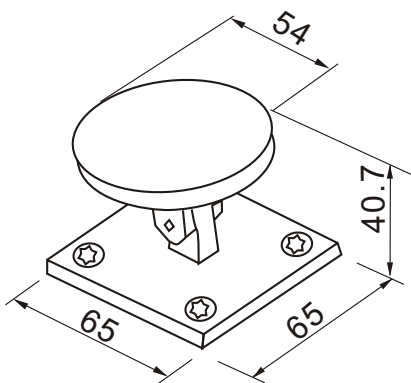
24VDC(12/24VDC need order)
Emergency Release Button/Test Button
Wall Mounting Direction

Low Current Consumption
Reliable Fail-Safe Mechanism
Durable and Silence Operation

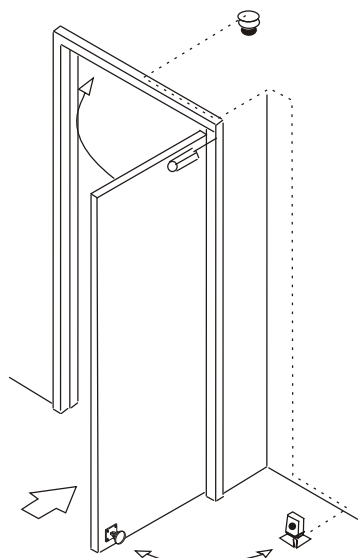
Specifications

- Dimensions: 116Lx93Wx118H(mm)
- Voltage: 24VDC
- Current Draw: 24V/70mA
- Optional: Manual door release button
- Surface Temp: $\leq +20^{\circ}\text{C}$
- Operating Temp: $-10\sim+55^{\circ}\text{C}$ (14-131F)
- Weight: 0.96kg
- Holding Force: 50kg(110Lbs)
- Suitable for: All Kinds of Single
Double Smokeproof Door
- Suitable Humidity: 0~90%(relative humidity)
- Finishes for Shell: High Temperature Paint and
Environmental Protection Zinc
- Finishes for Armature: Zinc

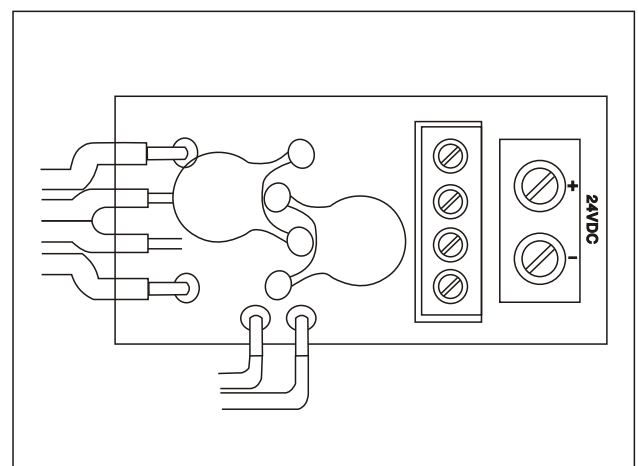
Dimension



Installation



Installation



Wiring Instructions