



YLI ELECTRONIC

ANSI standard Heavy Duty Electric Strike

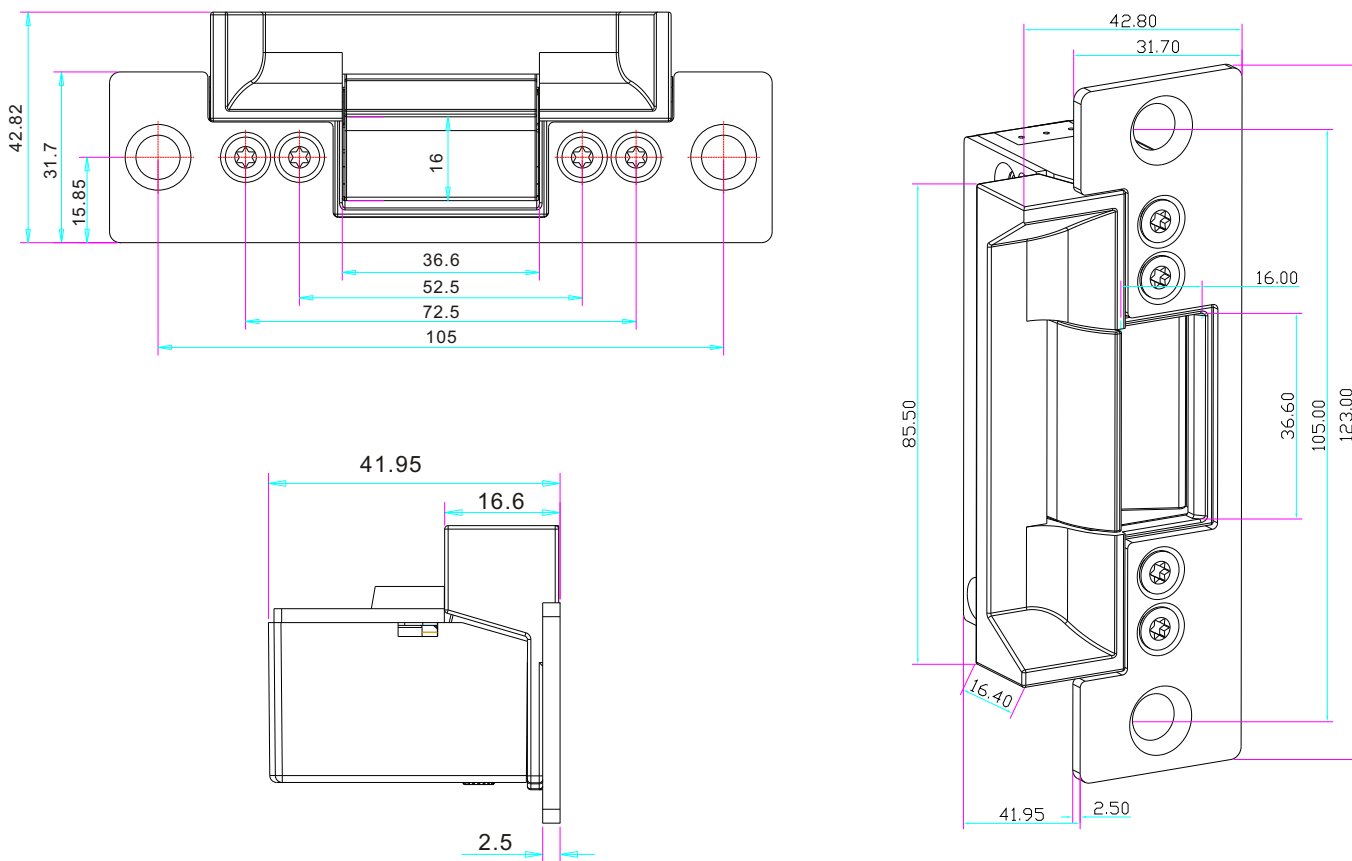


Model:YS-136NO/NC

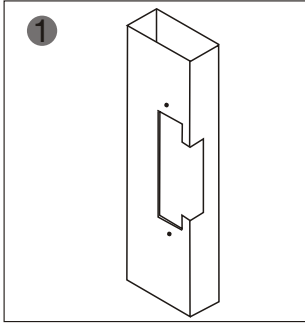
Specification

| | |
|---------------------|--|
| Lock size | 123Lx43Wx42H(mm) |
| Voltage | 12VDC(24VDCneed order) |
| Current | 320mA |
| Face plate | 304 stainless steel force structure |
| Lock | Zinc alloy(baking varnish by high temperature) |
| Feature | Fail secure / Fail safe(NO & NC adjustment) |
| Suitable For | Wooden Door, Metal Door, PVC Door |
| Weight | 0.34kg |

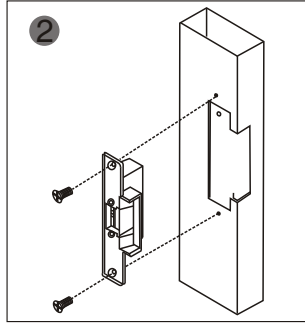
Diagram(unit:mm)



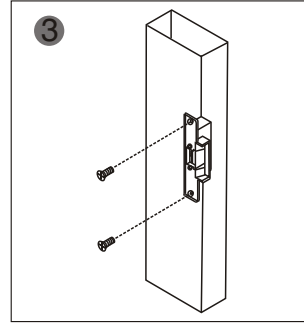
Installation



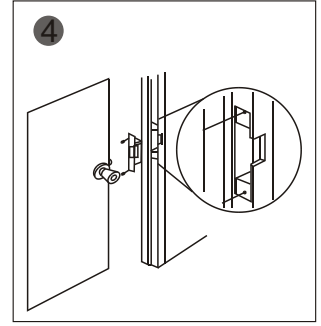
1 Cut hole according to the dimension of strike.



2 Assemble the lock and connect it to the power to test

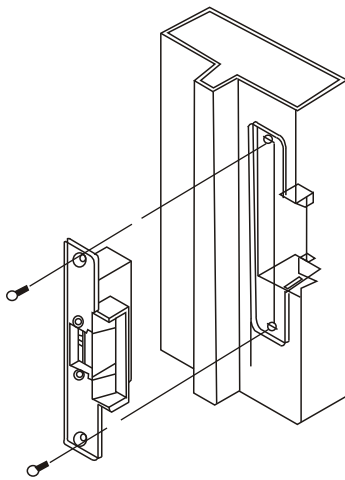


3 Fix the electric strike

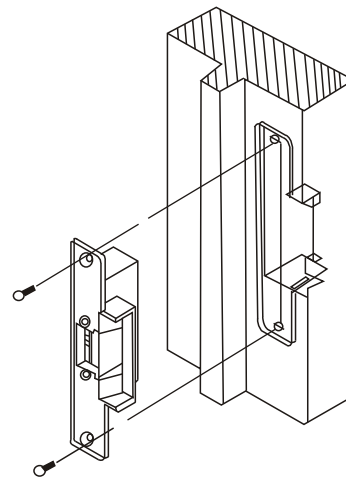


4 Finished

Suitable for



Metal Door Frame



Wooden Door Frame

Wire connection

