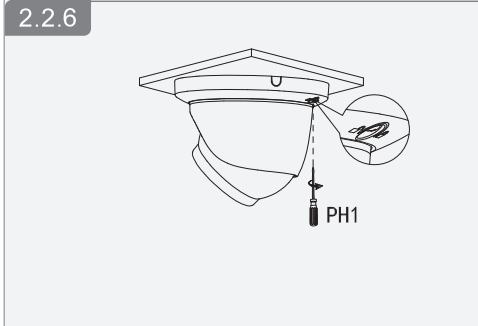
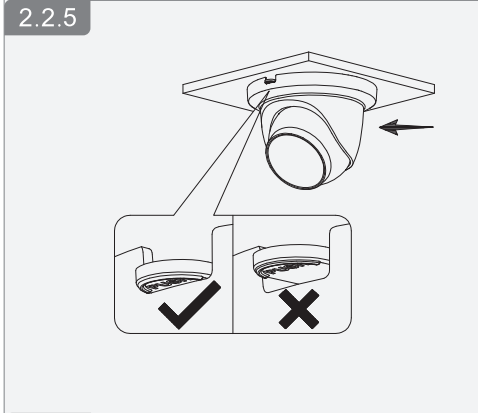
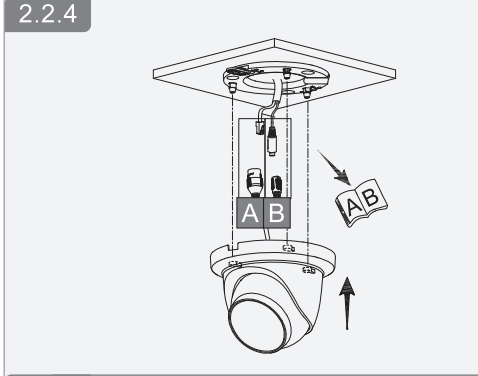
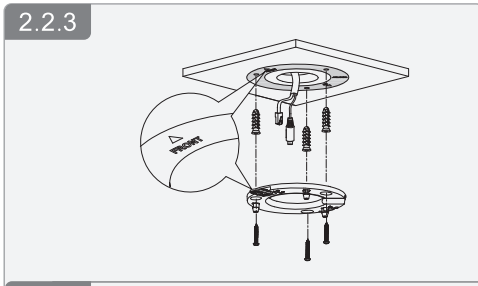
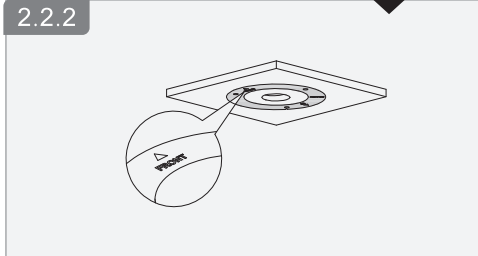
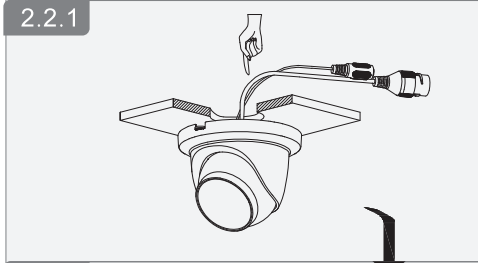
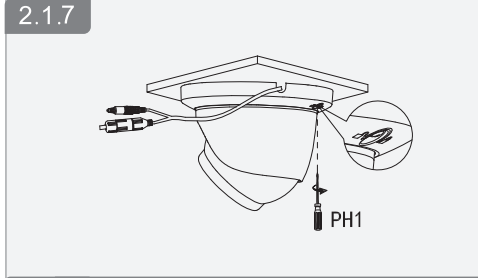
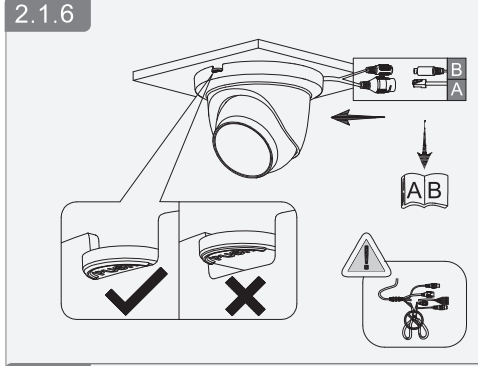
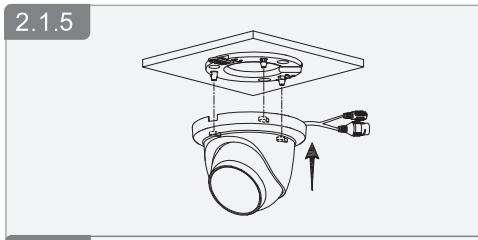
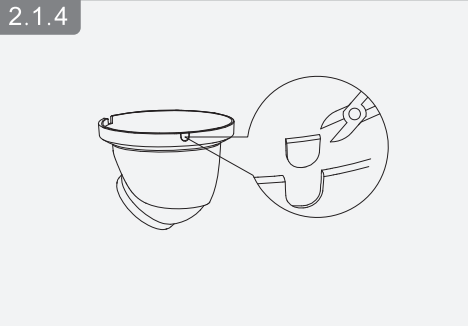
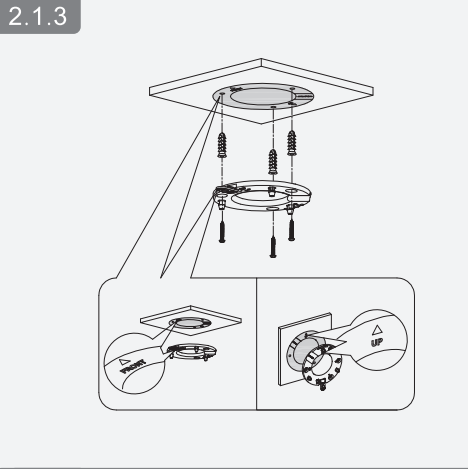
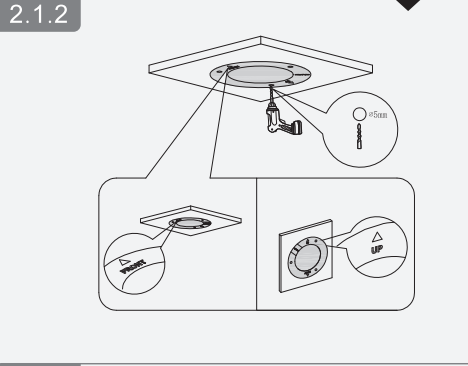
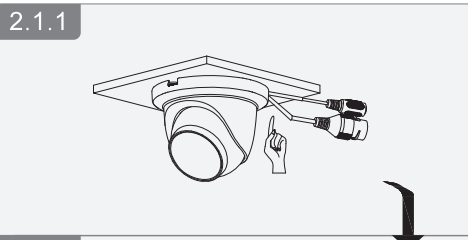
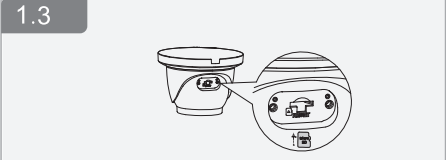
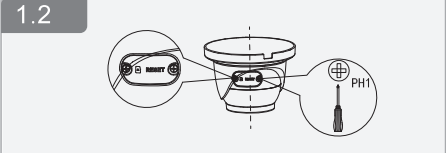
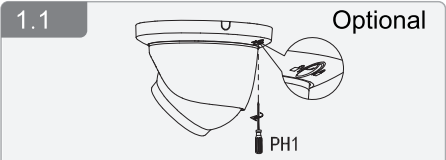
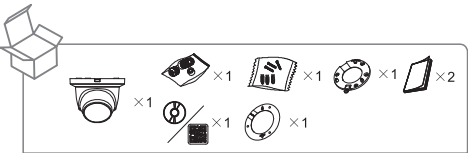


1.2.51.32.15838-000

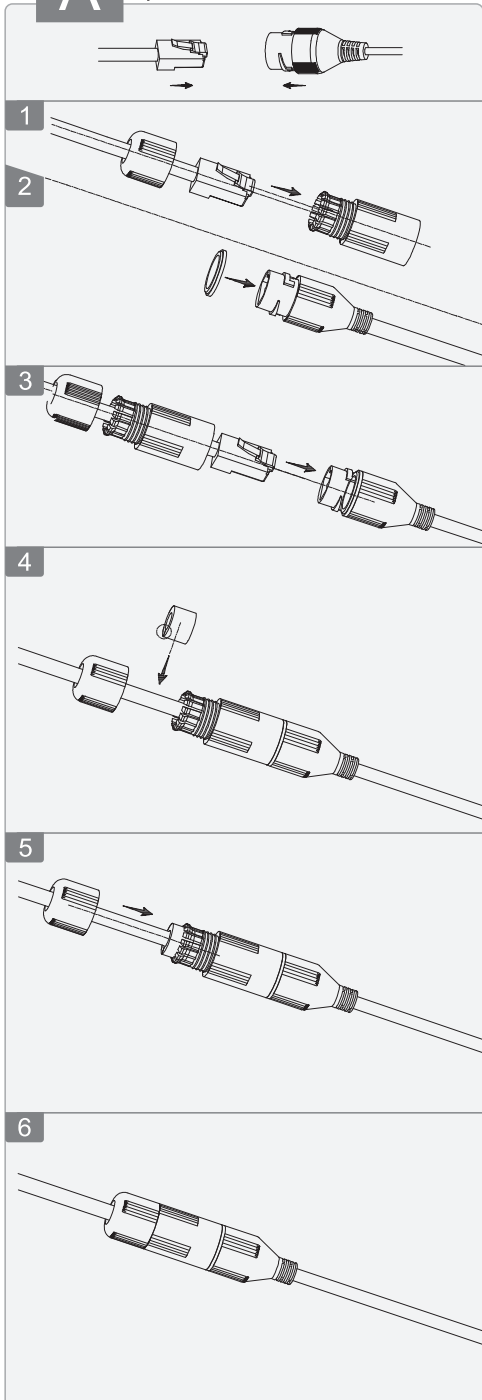
# Eyeball Network Camera

Installation Manual

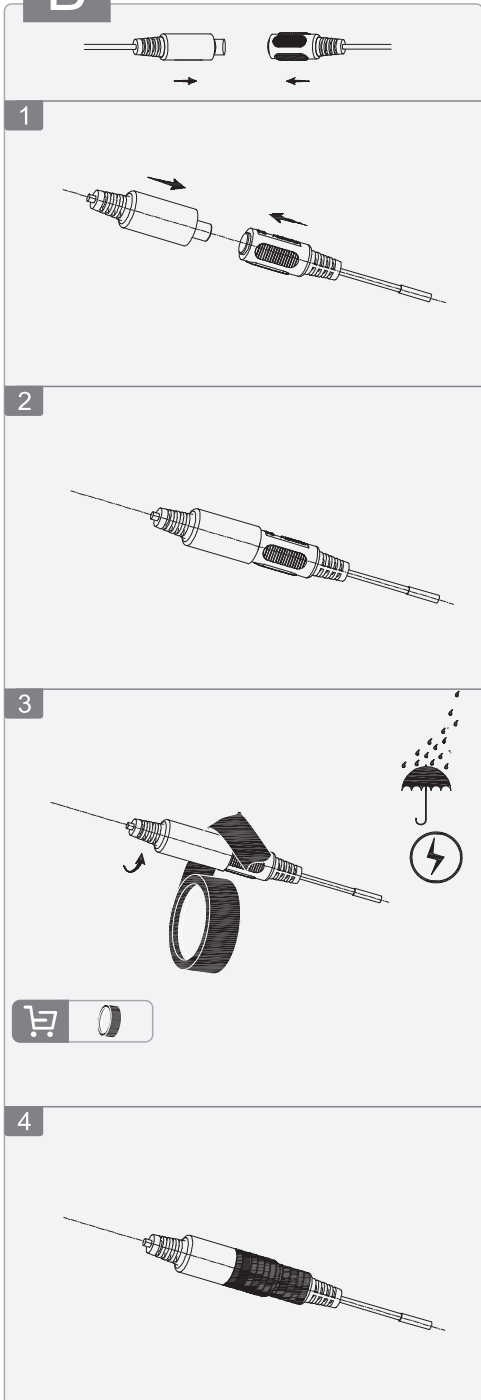
V1.0.0



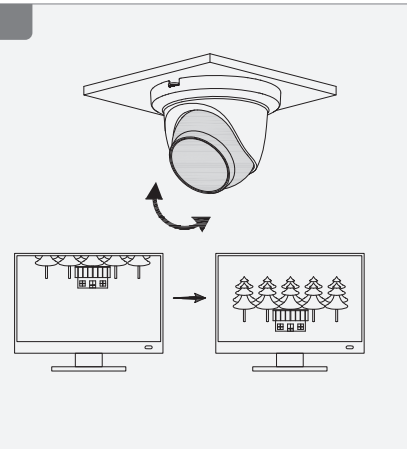
**A** Optional



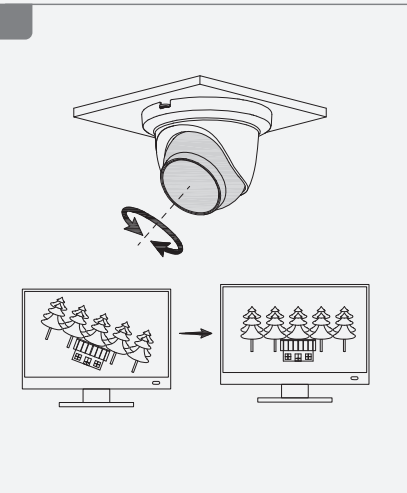
**B**



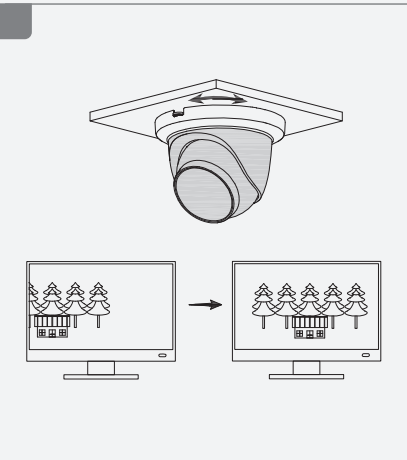
**3.1**



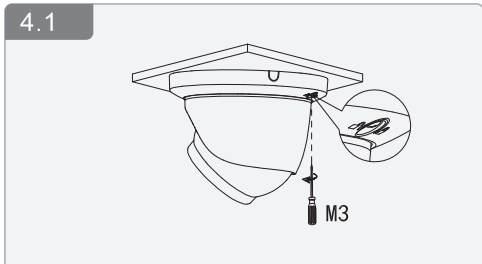
**3.2**



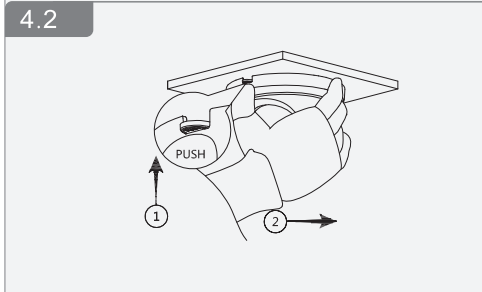
**3.3**



**4.1**



**4.2**



**4.3**

