



YLI ELECTRONIC

Narrow-type Electric Strike with Signal

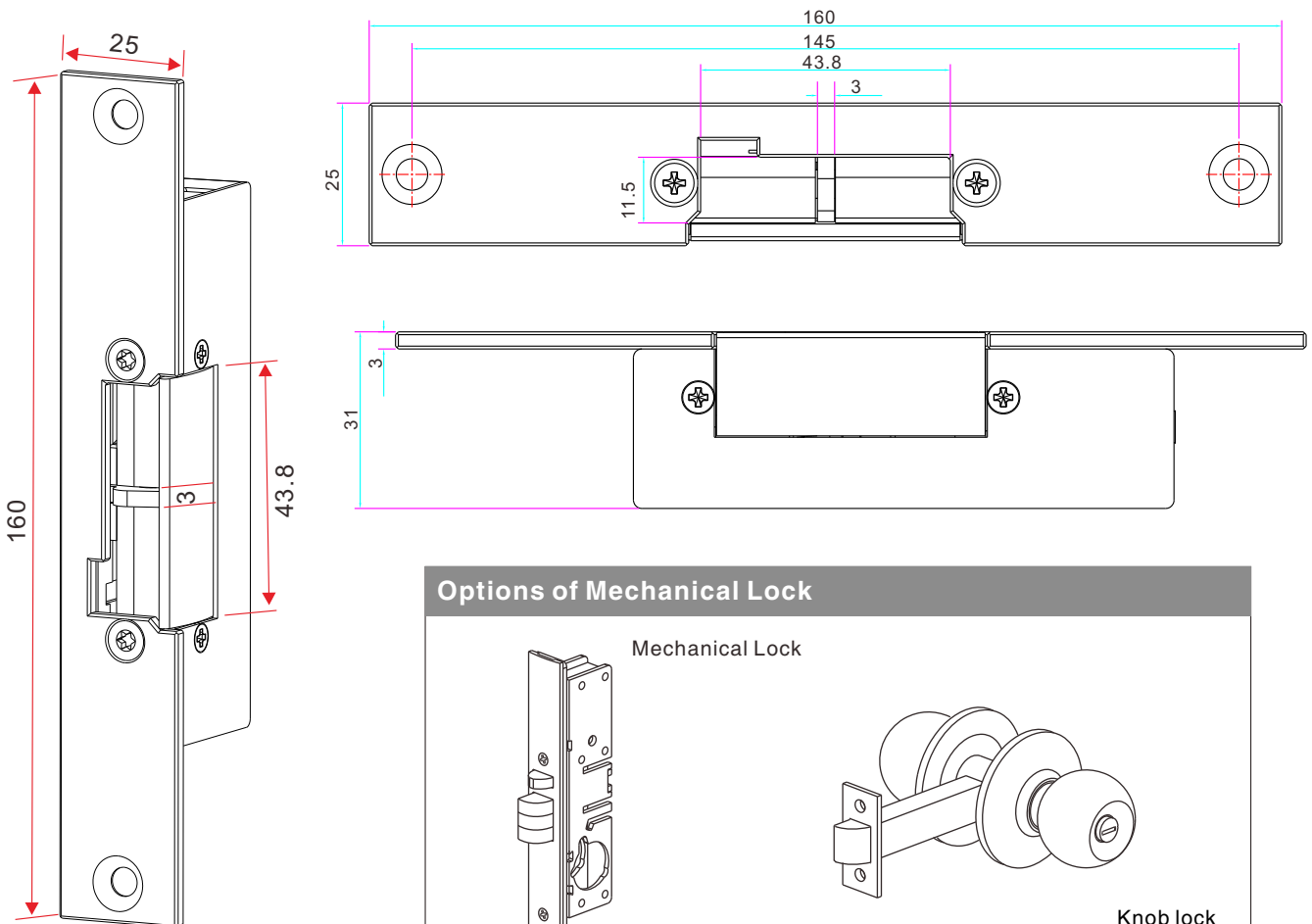


Model:YS-131NO/NC-S

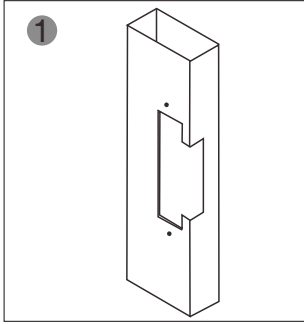
Specification

Size	160Lx25Wx31H(mm)
Voltage	12VDC
Current	200mA
Feature	FailSecure(YS-131NO-S) FailSafe(YS-131NC-S)
Suitable For	Wooden Door, Metal Door
Finishing	Electroplating
Weight	0.4kg

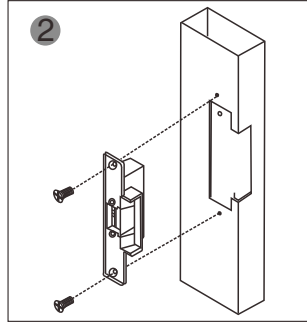
Diagram(unit:mm)



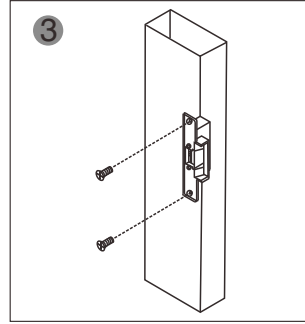
Installation



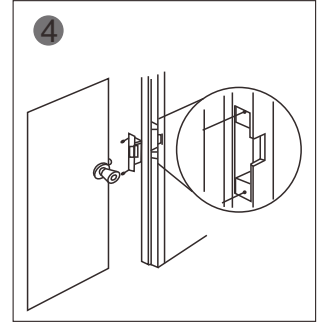
1 Cut hole according to the dimension of strike.



2 Assemble the lock and connect it to the power to test

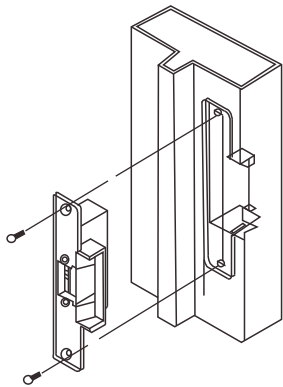


3 Fix the electric strike

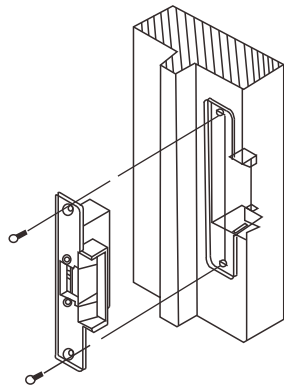


4 Finished

Suitable for



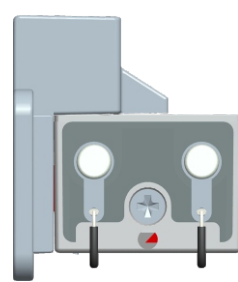
Metal Door Frame



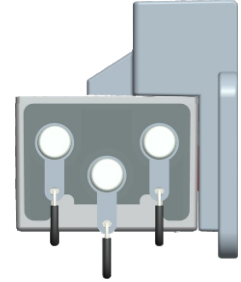
Wooden Door Frame

Signal Output

- NO Green N.C. contact output : open status
- COM Yellow Door Status output
- NC White N.O. contact output : closed status
- + Black 12VDC (Positive and negative are the same)
- Black the same



12VDC



NO COM NC

Wire connection

