

# Smart Lock Installation V1.0.0

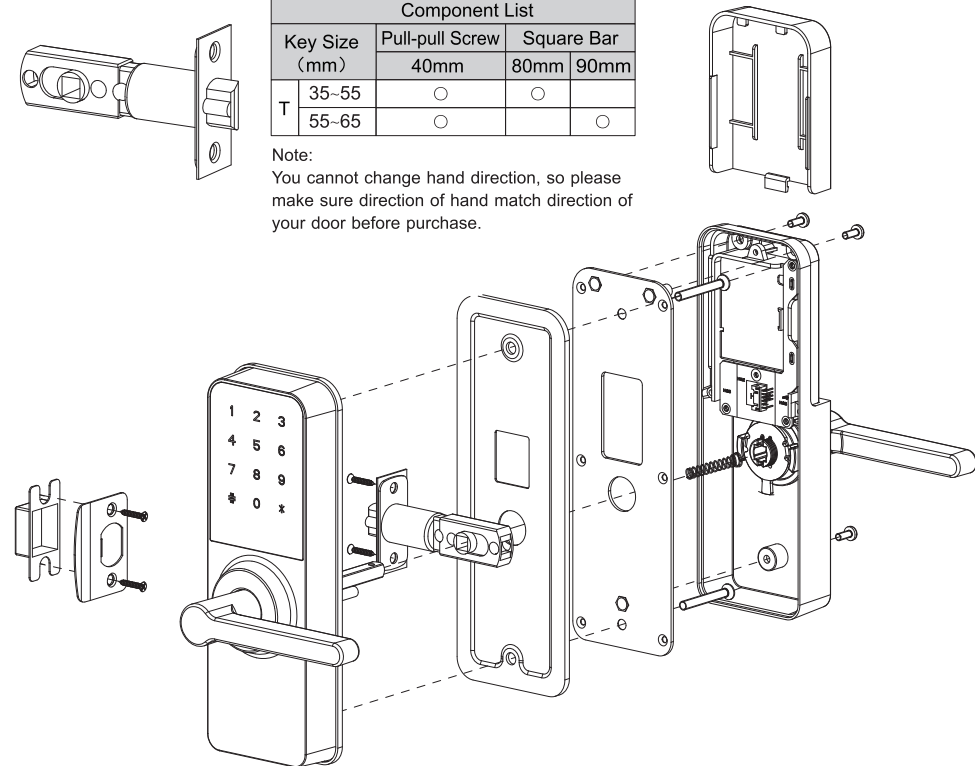
## I Installation Map

Note: Door opens outward from right

Component List			
Key Size (mm)	Pull-pull Screw		Square Bar
	40mm	80mm	90mm
T	35-55	○	○
	55-65	○	○

Note:

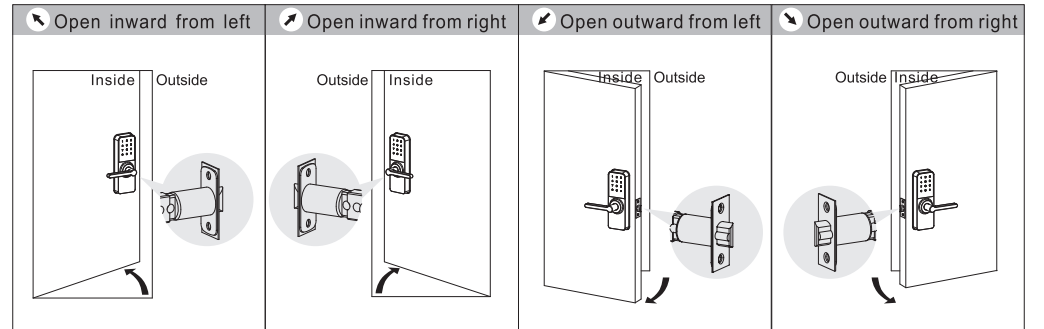
You cannot change hand direction, so please make sure direction of hand match direction of your door before purchase.



## II Component List

<b>a</b> External panel	<b>b</b> External silicone pad	<b>c</b> Internal panel	<b>d</b> Internal silicone pad	<b>e</b> Internal panel	<b>f</b> Latchbolt	<b>g</b> L-type wrench	<b>h</b> Spring
				<b>i</b> Pull-pull screw			
				<b>j</b> M5*10 or ST4.2*16			
				<b>k</b> User' manual			
				<b>m</b> Open hole Map			
				<b>n</b> Card			
				<b>o</b> Key			
				<b>p</b> Square Bar			

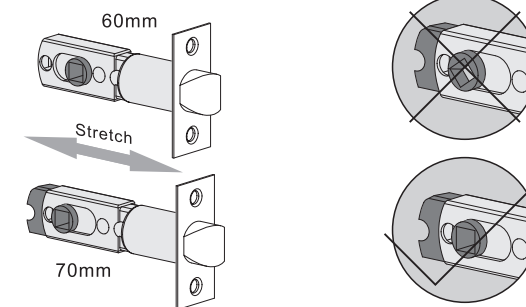
## III Environment of Installation



## IV Change Lock Direction

Note: Door opens outward from right and then inward from right.

### Change Direction



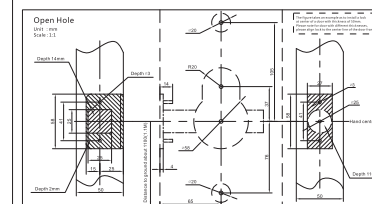
### Installation Steps

Cylinder backset distance is 60mm or 70mm switchable. Please follow the above instructions to stretch cylinder and DO NOT incline the square hole.

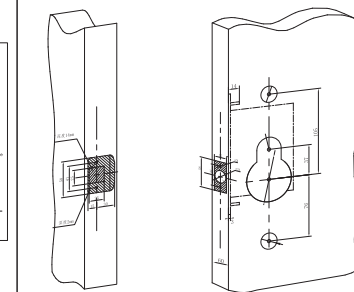
## V Open Hole Square

Note: Door opens outward from right.

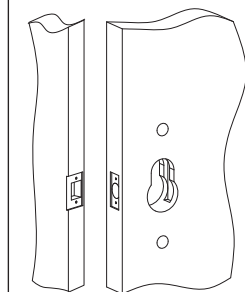
### Step 1: Cut open hole map



### Step 2: Align and stick on door and door pocket



### Step 3: Complete opening of hole.



## Installation of Lock

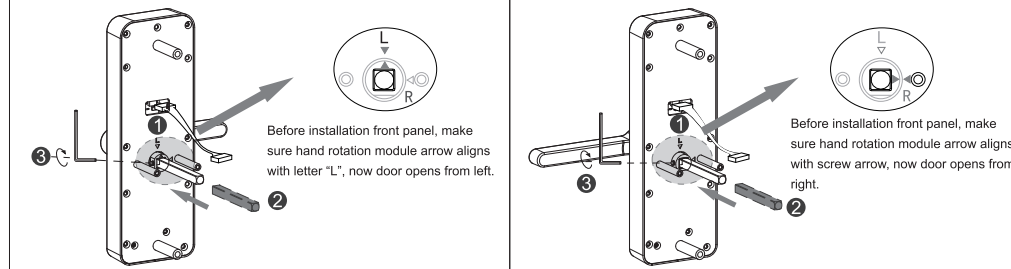
Note: Door opens outward from right.

Installation Map	Steps	Completion Status
	<ol style="list-style-type: none"> <li>Fix lock inside door via screw o.</li> </ol> <p>Note: Confirm unlock function.</p> <ol style="list-style-type: none"> <li>Fix buckle and buckle box on door frame via screw o.</li> </ol>	

## Change Square Bar

Change square bar when open door from right

Change square bar when open door from right



### Steps

- Make sure arrow of square bar rotation module match actual hand direction.
- Before installation, select square bar r in accordance with door thickness.
- Insert square bar r into rotation module, and use no. i L-type wrench to fix square bar at rotation module.

## Install External Panel

Note: Door opens outward from right.

Installation Map	Steps	Completion Status
	<ol style="list-style-type: none"> <li>Paste no.b silicone pad on external panel base, and aim square bar at hand hold of the lock, insert into hole.</li> <li>Paste no.b silicone pad on internal panel base, and lean external panel against door. Insert 20PIN plug through internal panel base.</li> <li>Fix external panel and internal panel base on the door with screw n.</li> </ol>	

## Install Internal Panel

Note: Door opens outward from right.

Installation Map	Steps	Completion Status
	<ol style="list-style-type: none"> <li>Insert 20PIN plug into slot under battery box.</li> <li>Place spring m into internal panel hand hole (big end toward inside), install hand facing square bar.</li> <li>With screw p fix internal panel at internal panel base.</li> </ol>	

## Confirmation

After installation, open door and check if the following items are correct:

- If battery model is 4 AA 1.5V alkaline, if installation direction matches standard in box.
- After you install battery, whether buttons light up.
- Lift internal panel handle, bolt can be ejected. Press to return bolt and latch bolt.
- Lift external panel handle, bolt can be ejected, press it to idle, cannot return bolt and latch bolt.
- At external base insert mechanical key and twist, meanwhile press external handle to return bolt and latch bolt.
- Close door, lift handle and bolt ejects as normal.
- All screws are fastened.
- Power on to enable touch panel (make palm touch screen and slowly slide), button light up, enter initial password (123456+#) following prompt, press external panel hand to return bolt and latch bolt.
- If door cannot be pushed after closed.
- Please keep a spare key with you for emergency need.



Zhejiang Dahua Vision Technology CO.,LTD.

Address : No.1199 Bin' an Road, Binjiang District, Hangzhou, China  
 Postcode: 310053  
 Tel: +86-571-87688883  
 Fax: +86-571-87688815  
 Email:overseas@dahuatech.com  
 Website: http://www.dahuasecurity.com