

QNV-6023R

2M Mobile IR Flat Camera



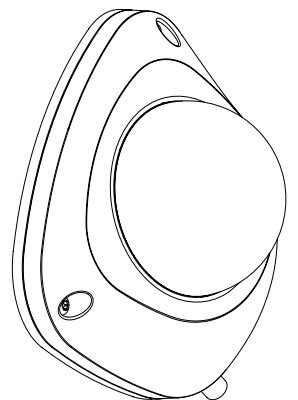
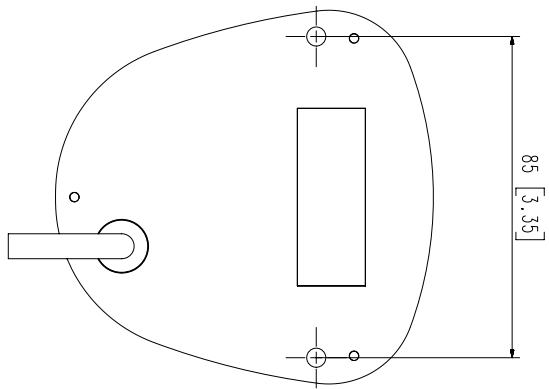
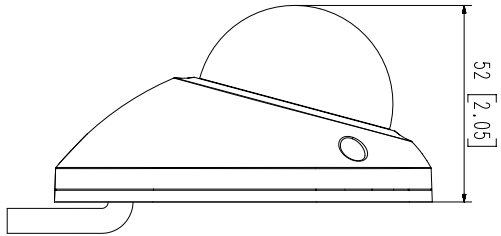
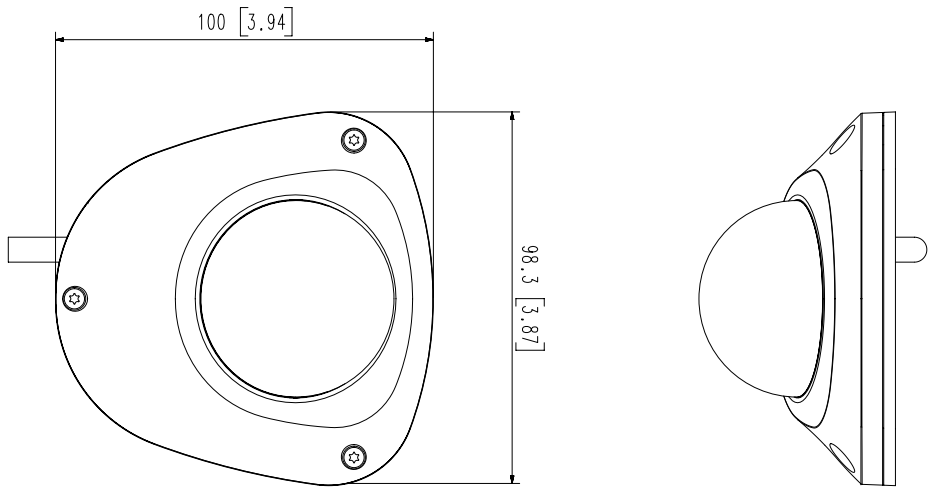
Key Features

- Max. 2Megapixel resolution
- Max. 30fps@2MP (H.265 / H.264)
- 0.03Lux@F2.0 (Color), 0Lux (B/W : IR LED On)
- Built-in 3.6mm fixed lens
- H.265, H.264, MJPEG codec supported
- Multiple streaming
- Day & Night (ICR), WDR (120dB)
- SD/SDHC/SDXC memory slot (Max. 256GB)
- IR viewable length 15m, IP66, IK10, NEMA4X
- Hallway view, PoE, LDC support

Video	
Imaging Device	1/2.8" 2MP CMOS
Effective Pixels	1920(H)x1080(V)
Min. Illumination	Color: 0.03Lux(F2.0, 1/30sec) BW: 0Lux(IR LED on)
Video Out	CVBS: 1.0 Vp-p / 75Ω composite, 720x480(N), 720x576(P) for installation
Lens	
Focal Length (Zoom Ratio)	3.6mm fixed focal
Max. Aperture Ratio	F2.0
Angular Field of View	H: 94.8° / V: 49.3° / D: 114.3°
Min. Object Distance	0.5m
Focus Control	Fixed
Pan / Tilt / Rotate	
Pan / Tilt / Rotate Range	±5° / 0°~67° / ±90°
Operational	
IR Viewable Length	15m(49.21ft)
Camera Title	Displayed up to 85 characters
Day & Night	Auto(ICR)
Backlight Compensation	BLC, WDR, SSSDR
Wide Dynamic Range	120dB
Digital Noise Reduction	SSNR
Motion Detection	4ea, polygonal zones
Privacy Masking	6ea, rectangular zones
Gain Control	Low / Middle / High
White Balance	ATW / AWC / Manual / Indoor / Outdoor
LDC	Support
Electronic Shutter Speed	Minimum / Maximum / Anti flicker (1/5~1/12,000sec)
Video Rotation	Flip, Mirror, Hallway view(90°/270°)
Analytics	Defocus detection, Directional detection, Motion detection, Enter/Exit, Tampering, Virtual line
Alarm Triggers	Analytics, Network disconnect
Alarm Events	File upload via FTP and e-mail Notification via e-mail SD/SDHC/SDXC or NAS recording at event triggers
Audio In	Line-in
Network	
Ethernet	RJ-45(10/100BASE-T)
Video Compression	H.265/H.264: Main/Baseline/High, MJPEG
Resolution	1920x1080, 1280x960, 1280x720, 800x600, 800x448, 720x576, 720x480, 640x480, 640x360
Max. Framerate	H.265/H.264: Max. 30fps/25fps(60Hz/50Hz) MJPEG: Max. 15fps/12fps(60Hz/50Hz)
Smart Codec	WiseStream II

Bitrate Control	H.264/H.265: CBR or VBR MJPEG: VBR
Streaming	Unicast(6 users) / Multicast Multiple streaming(Up to 3 profiles)
Audio Compression	G.711 u-law /G.726 Selectable G.726(ADPCM) 8KHz, G.711 8KHz G.726: 16Kbps, 24Kbps, 32Kbps, 40Kbps
Protocol	IPv4, IPv6, TCP/IP, UDP/IP, RTP(UDP), RTP(TCP), RTCP, RTSP, NTP, HTTP, HTTPS, SSL/TLS, DHCP, FTP, SMTP, ICMP, IGMP, SNMPv1/v2c/v3(MIB-2), ARP, DNS, DDNS, QoS, UPnP, Bonjour, LLDP
Security	HTTPS(SSL) Login Authentication Digest Login Authentication IP Address Filtering User access Log 802.1X Authentication(EAP-TLS, EAP-LEAP)
Edge Storage	Micro SD/SDHC/SDXC 1slot 128GB
Application Programming Interface	ONVIF Profile S/G/T SUNAPI(HTTP API) Wisenet open platform
Web Viewer	Supported OS: Windows 7, 8.1, 10, Mac OS X 10.12, 10.13, 10.14 Recommended Browser: Google Chrome Supported Browser: MS Explore11, MS Edge, Mozilla Firefox(Window 64bit only), Apple Safari(Mac OS X only)
Memory	512MB RAM, 256MB Flash
Environmental	
Operating Temperature / Humidity	-30°C ~ +55°C(-22°F ~ +131°F) / Less than 90% RH
Storage Temperature / Humidity	-50°C ~ +60°C(-58°F ~ +140°F) / Less than 90% RH
Certification	IP66, IK10, NEMA4X EN55011:2009+A1:2010, EN50581:2012, EN50121-3-2:2015, EN61000-4-2:2009, EN61000-4-3:2006+A2:2010, EN61000-4-4:2012, EN61000-4-5:2014 EN61000-4-6:2009, EN50155:2007 EN45545-2, NFPA130, BSS7239, E-mark
Electrical	
Input Voltage	PoE(IEEE802.3af, Class3)
Power Consumption	PoE: Max 6.70W, typical 5.00W
Mechanical	
Color / Material	Ivory / Aluminum
Product dimensions / weight	98.9x52.0x100.0mm(3.89x2.05x3.94"), 295g(0.65 lb)
DORI	
Detect (25PPM/ 8PPF)	35.3m(115.84ft)
Observe (63PPM/ 19PPF)	14.1m(46.33ft)
Recognize (125PPM/ 38PPF)	7.1m(23.17ft)
Identify (250PPM/ 76PPF)	3.5m(11.58ft)

- The latest product information / specification can be found at hanwha-security.com
- Design and specifications are subject to change without notice.
- Wisenet is the proprietary brand of Hanwha Techwin, formerly known as Samsung Techwin.



© Hanwha Techwin Co., Ltd. All rights reserved.

Unit: mm [inch]	SCALE: 1/1	© Hanwha Techwin	
No.	MODEL NAME	DATE	
3	QNV-6023R	19.06.19	
2	XNV-6022R	-	
1	SNV-L6013R	-	