

DH-SD42C212T-HN

2 Megapixel Full HD 12x Mini Network PTZ Dome Camera



SD42C212T-HN

Features

- Powerful 12x optical zoom
- Support dual-streams encoding
- Max. 25/30fps@1080P(1920×1080) & 50/60fps@720P resolution
- WDR, Day/Night (ICR), DNR (2D&3D), Auto iris, Auto focus, AWB, AGC, BLC
- Max 300°/s pan speed, 360° continuous pan rotation
- Up to 300 presets, 5 auto scan, 8 tour, 5 pattern
- Built-in 2/1 alarm in/out
- Support intelligent 3D positioning with DH-SD protocol
- IK10(optional), POE+

DH-SD42C212T-HN

Technical Specifications:

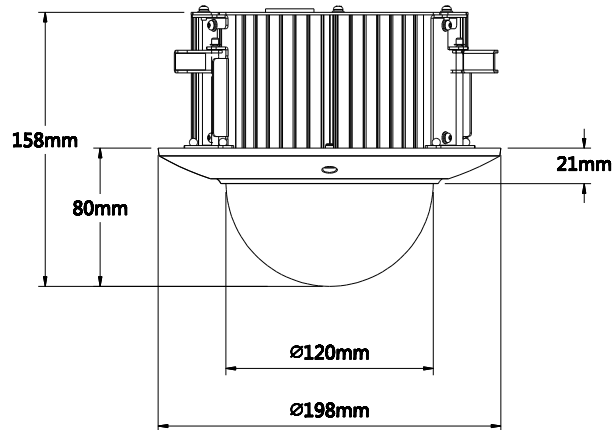
| | | |
|--------------------------|--|--|
| Model | DH-SD42C212T-HN | |
| Camera | | |
| Image Sensor | 1/2.8" CMOS | |
| Effective Pixels | 1944(H) x 1092(V), 2 Megapixels | |
| Horizontal Resolution | >1000TVL | |
| Scanning System | Progressive | |
| Electronic Shutter Speed | 1/3s ~1/30,000s | |
| Min. Illumination | Color: 0.05 Lux/F1.6, B/W: 0.005Lux/F1.6 | |
| S/N Ratio | More than 55dB | |
| Camera Features | | |
| Day/Night | Auto(ICR) / Color / B/W | |
| Backlight Compensation | BLC / HLC / WDR (120dB) | |
| White Balance | Auto, ATW, Indoor, Outdoor, Manual | |
| Gain Control | Auto / Manual | |
| Noise Reduction | 2D / 3D | |
| Privacy Masking | Up to 24 areas | |
| Digital Zoom | 16x | |
| Lens | | |
| Focal Length | 5.1 mm~61.2mm (12x Optical zoom) | |
| Max Aperture | F1.6~ F3.0 | |
| Focus Control | Auto / Manual | |
| FOV-H | H: 59.3° ~ 5.2° | |
| Close Focus Distance | 100mm~1000mm | |
| PTZ | | |
| Pan/Tilt Range | Pan: 0° ~ 360° endless; Tilt: -2° ~ 90°, auto flip 180° | |
| Manual Control Speed | Pan: 0.1° ~ 300°/s; Tilt: 0.1° ~120°/s | |
| Preset Speed | Pan: 300°/s; Tilt:200°/s | |
| Preset | 300(DH-SD) | |
| PTZ Mode | 5 Pattern, 8 Tour, 5 Auto Scan, Auto Pan | |
| Speed Setup | Human-oriented focal length/ speed adaptation | |
| Power up Action | Auto restore to previous PTZ and lens status after power failure | |
| Idle Motion | Activate Preset/Pan/Scan/Tour/Pattern if there is no command in the specified period | |
| Video | | |
| Compression | H.264 / MJPEG | |
| Resolution | 1080P(1920×1080)/ 720P(1280×720) / D1(704×576/ 704×480) /CIF (352×288/352×240) | |
| Frame Rate | Main Stream | 1080P/ D1 (1 ~ 25/30fps), 720P(1~50/60fps) |
| | Sub Stream 1 | D1/CIF(1 ~ 25/30fps) |

DH-SD42C212T-HN

| | | |
|-----------------------------|--------------|--|
| | Sub Stream 2 | 720P/ D1/ CIF (1 ~ 25/30fps) |
| Bit Rate | | H.264: 448K ~ 8192Kbps, MJPEG: 56K ~ 20480Kbps |
| Audio | | |
| Compression | | G.711a / G.711u (32kbps) / PCM (128kbps) |
| Interface | | 1/1 channel In/Out |
| Intelligent Function | | |
| IVS (optional) | | Tripwire, Intrusion, Abandoned Object Detection, Missing Object Detection |
| Face Detection | | Support |
| Network | | |
| Ethernet | | RJ-45 (10/100Base-T) |
| Protocol | | IPv4/IPv6, HTTP, HTTPS, SSL, TCP/IP, UDP, UPnP, ICMP, IGMP, SNMP, RTSP, RTP, SMTP, NTP, DHCP, DNS, PPPOE, DDNS, FTP, IP Filter, QoS, Bonjour |
| Compatibility | | ONVIF PSIA CGI |
| Max. User Access | | 20 users |
| Smart Phone | | iPhone, iPad, Android, Windows Phone |
| Auxiliary Interface | | |
| Memory Slot | | Micro SD, Max 128GB |
| RS485 | | N/A |
| Alarm | | 2/1 channel In/Out |
| General | | |
| Power Supply | | AC24V/1.5A (±10%), POE plus (802.3at) |
| Power Consumption | | 12W |
| Working Environment | | -20°C ~ 60°C / Less than 90% RH |
| Ingress Protection | | N/A |
| Vandal Resistance | | IK10 (optional) |
| Dimensions | | Φ198mm×158mm |
| Weight | | 2.3Kg |

DH-SD42C212T-HN

Dimensions (mm)



SD42C212T-HN

Dahua Technology Co., Ltd.

1199 BinAn Road, Binjiang District, Hangzhou, China

Tel: +86-571-87688883

Fax: +86-571-87688815

Email: overseas@dahuatech.com

www.dahuatech.com

*Design and specifications are subject to change without notice.

© 2013 Dahua Technology Co., Ltd.