

**DS-QAZ1203G1-BE**  
**3 W Network Ceiling Speaker**



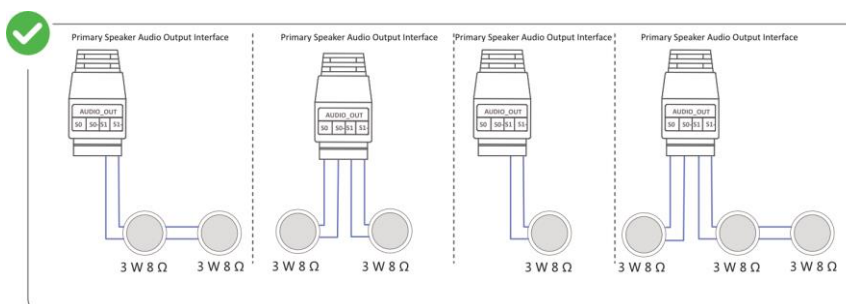
- Adopt high-speed industrial grade dual core chips, built-in NOR Flash+EMMC dual storage, support dual backup of the system to ensure stable and reliable system performance.
- Support secure startup, user login locking mechanism, and password complexity prompts, support security audit log traceability, and improve system network security.
- Support batch unified management of remote platforms through IP networks (local area networks/public networks) and flexible configuration of local WEB single machines, while also support local audio collection and playback, adapting to various scene applications.
- Support fixed resistance output and can be connected to an external sub speaker to increase the coverage area of the sound field, saving installation and wiring costs.
- Support alarm input, arming schedule, and audio linkage, support TTS speech synthesis and text broadcasting, with natural and smooth standard male and female dual audio options.

**▪ Specification**

<b>Speaker</b>	
Rated Power	3 W
Impedance	8 Ω
Sensitivity(1 m, 1 W)	93 dB
Max. Acoustic Pressure	97 dB SPL
Direction	All directions
Frequency Response	300 Hz to 15 kHz
SNR	82 dB
<b>Function</b>	
Audio Algorithm	AEC、AGC、ANS、DRC
Audio Bit Rate	G.711ulaw(64 Kbps)/G.711alaw(64 Kbps)/MP3(128 Kbps)
Audio File Format	MP3, WAV
NTP Timing	Support
Broadcast	Regular broadcast, live broadcast, emergency broadcast
Speech Synthesis	English
<b>Network</b>	
Network Protocol	IPv4, HTTP, HTTPS, SSL/TLS, DNS, NTP, TCP, UDP, IGMP, ICMP, DHCP, ARP, SSH
Interface Protocol (API)	ISAPI, ISUP, RTP
<b>Functions</b>	
Audio Function	Supports digital noise reduction, manually adjustable for 5 gears to ensure communication/audio quality.
<b>Communication</b>	
Communication Method	Support wired network and bluetooth communication
<b>Interface</b>	
Ethernet Interface	RJ45 10 M/100 M Adaptive Ethernet port × 1
Local Storage	Built-in 4 GB EMMC (Audio file storage is 1 GB.)
API	ISAPI, ISUP
Alarm	Alarm input × 2
Audio In	3.5 mm audio interface × 1
Audio Out	Fixed resistance output × 1, phoenix terminal, 8 Ω *The primary speaker(3 W, 8 Ω) can be connected to a maximum of 3 secondary speakers(3 W, 8 Ω).
<b>General</b>	
Power	PoE: 802.3at, 12 VDC/1.5 A
Material	Device body: plastic; Mesh cover: metal
Language	5 languages: English, French, Spanish, German, Italian
Dimension	∅179 mm × 73.5 mm (∅7.05" × 2.89") (Hole size: 160 mm)
Package Dimension	255mm × 243mm × 175mm (10.04" × 9.57" × 6.89")
Weight	Approx. 0.3 kg (0.66 lb.)
With Package Weight	Approx. 0.5 kg (1.1 lb.)
Color	White

Packing List	Device × 1 Mesh cover × 1 Regulatory Compliance and Safety Information × 1
Operating Temperature	-10 °C to 50 °C (14 °F to 122 °F)
Operating Humidity	< 90% (No condensation)
<b>Approval</b>	
RF	CE-RED: EN 301489-1 V2.2.3 (BT or 2.4G), EN 301489-17 V3.2.4 (BT or 2.4G), EN 300 328 V2.2.2 (BT or 2.4G), EN 62311 2020 (BT or 2.4G) RCM: EN 300 328 V2.2.2 (BT or 2.4G), AS/NZS 2772.2:2016+A1:2018, ARPANSA RPS S-1 Radiation Protection Series S-1 (Rev.1), ARPANSA RPS S01 Advisory Note IC ID: RSS-247 (BT or 2.4G) ANATEL: Resolution No. 680/2017, Act No. 14448/2017, Act No. 950/2018, Act No. 1120/2018
EMC	CE-EMC: EN 55032:2015+A11:2020+A1:2020, EN IEC 61000-3-2:2019, EN 61000-3-3:2013+A1:2019+A2:2021, EN 55035:2017+A11:2020 RCM: AS/NZS CISPR 32: 2015 IC: ICES-003: Issue 7
Safety	CB: IEC 62368-1:2014 CE-LVD: EN 62368-1:2014/A11:2017
Environment	CE-RoHS: 2011/65/EU WEEE: 2012/19/EU Reach: Regulation (EC) No 1907/2006

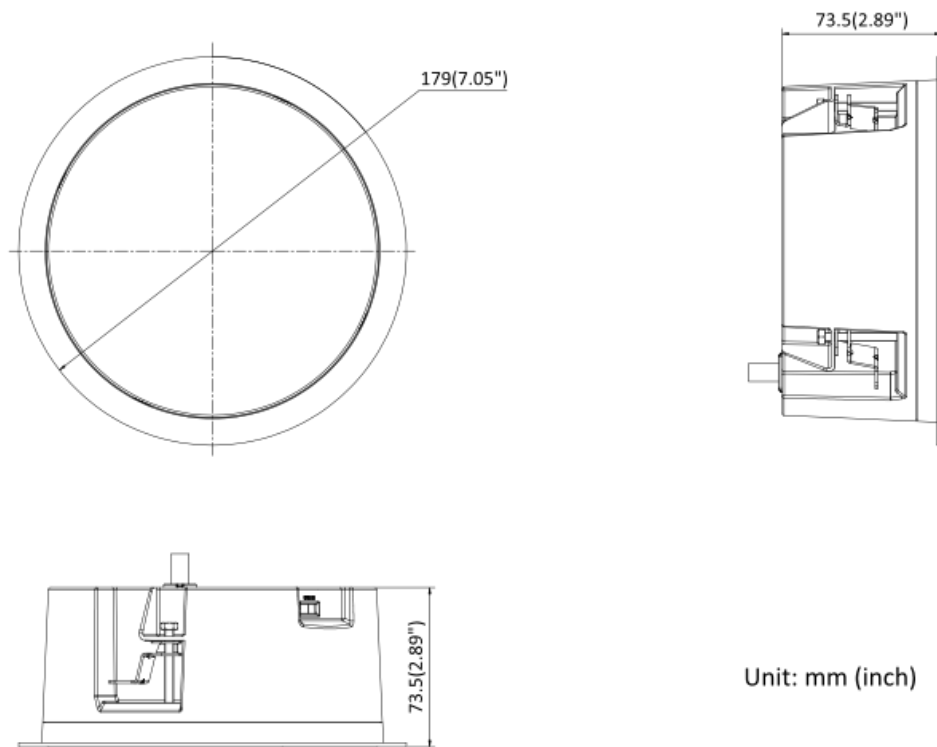
## ▪ Wiring



## ▪ Available Model

DS-QAZ1203G1-BE

## ▪ Dimension



Unit: mm (inch)

**Headquarters**

No.555 Qianmo Road, Binjiang District,  
Hangzhou 310051, China  
T +86-571-8807-5998  
[www.hikvision.com](http://www.hikvision.com)



Follow us on social media to get the latest product and solution information.



Hikvision



HikvisionHQ



HikvisionHQ



Hikvision\_Global



Hikvision  
Corporate Channel



hikvisionhq