

Wireless Siren Quick Start Guide

V1.0.0

Table of Contents

1	Overview	1
2	Product Appearance.....	1
3	Device Installation.....	2
4	Usage	错误!未定义书签。
	Appendix 1 Technical Specifications.....	4

Important Safeguards and Warnings

Please read the following safeguards and warnings carefully before using the product in order to avoid damages and losses.

Note:

- Do not expose the device to lampblack, steam or dust. Otherwise it may cause fire or electric shock.
- Do not install the device at position exposed to sunlight or in high temperature. Temperature rise in device may cause fire.
- Do not expose the device to humid environment. Otherwise it may cause fire.
- The device must be installed on solid and flat surface in order to guarantee safety under load and earthquake. Otherwise, it may cause device to fall off or turnover.
- Do not place the device on carpet or quilt.
- Do not block air vent of the device or ventilation around the device. Otherwise, temperature in device will rise and may cause fire.
- Do not place any object on the device.
- Do not disassemble the device without professional instruction.

Warning:

- Please use battery properly to avoid fire, explosion and other dangers.
- Please replace used battery with battery of the same type.
- Do not use power line other than the one specified. Please use it properly. Otherwise, it may cause fire or electric shock.

Special Announcement

- This manual is for reference only.
- All the designs and software here are subject to change without prior written notice.
- All trademarks and registered trademarks are the properties of their respective owners.
- If there is any uncertainty or controversy, please refer to the final explanation of us.
- Please visit our website for more information.

Before Use

1. Do not touch surface of the detector and the lens, so as not to affect the sensitivity of the detector. If you need to clean the detector and the lens, please turn off the power and use a soft cloth dipping some water to do so.
2. Avoid using the device in an environment of large temperature change, otherwise it will affect the performance of the product.
3. This product can reduce accidents, however there is no guarantee. For your safety, in addition to proper use of the products, but also be vigilant in daily life,.

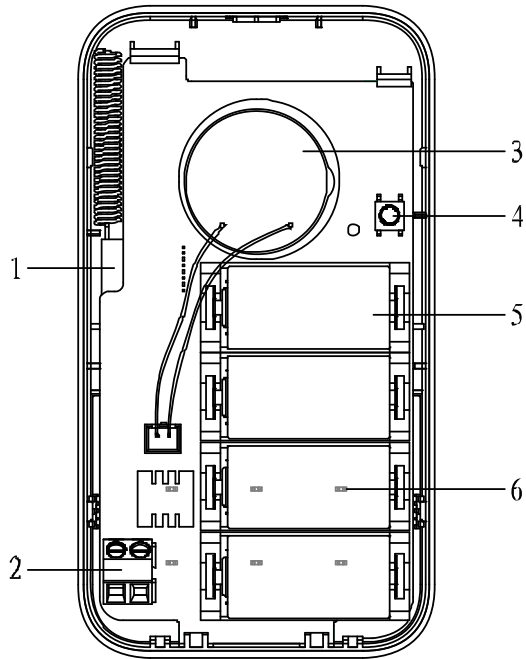
1 Overview

This Wireless Siren is a device which can generate warning signal via sound and flash. When someone enter the armed zone, detector outputs alarm signal to wireless alarm controller, and the controller outputs control signal to the siren wirelessly it generates sound/flash signal for warning purpose.

Available model: ARA10-W.

2 Product Appearance

Structure and appearance of the wireless siren are shown in Figure 2- 1 and Figure 2- 2.



No.	Note
1	Wireless module
2	+12V power connector
3	Buzzer
4	Vandal-proof switch
5	Battery
6	LED

Figure 2- 1

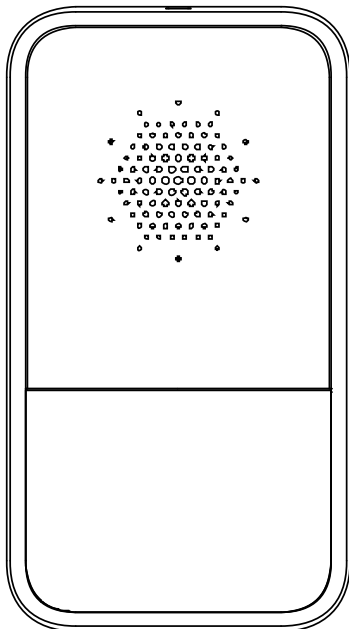


Figure 2- 2

3 Device Installation

Warning:

- Installation and debugging must be executed by professional staff. If you encounter device failure, please do not open and repair the device, you shall contact its after-sales department.
- Avoid installation in environment with large magnetic field around.
- Avoid installation in places with a large amount of metal objects.
- Fixed with screw:

Step 1. Please open device package, follow Figure 3- 1. Use straight screwdriver to take down device rear cover.

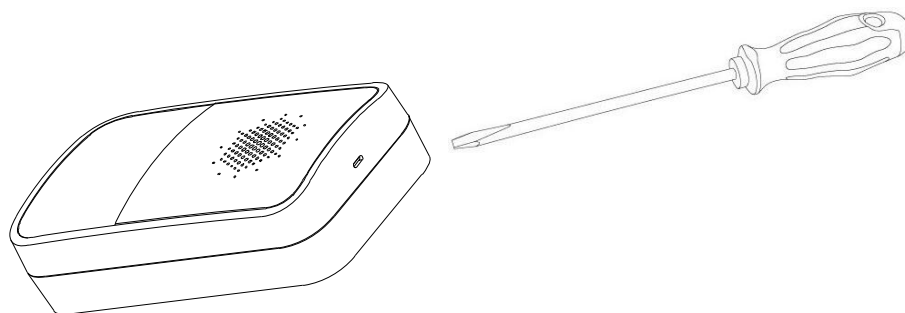


Figure 3- 1

Step 2. Follow 错误!未找到引用源。 , dig three holes on wall, and insert expansion bolts into the holes.

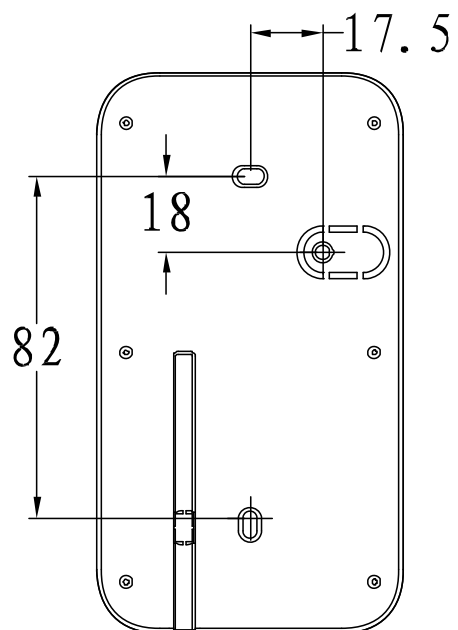


Figure 3- 2

Step 3. Face device rear cover to expansion with bolts, insert and fasten self-tapping screw at ① and ② to fix cover on wall. If you want to have leaving-wall vandal-proof function for the device, insert self-tapping screw also at ③.

Step 4. Close device front cover component to complete.

Appendix 1 Technical Specifications

Parameter	Note
Carrier Frequency	433MHz
Transmitting Power	10dBm
Transmission Distance	1000m (open space/no interference)
Sound Intensity	85dB, 1 meter
Strobe Frequency	Adjustable, max 60 times/min
Vandal-proof	Leaving-wall and case vandal-proof
Battery Life	1.5 years
Temperature and Humidity	-10°C~50°C, < 95%
Installation Method	Wall mount and 4 X 2 electricity box installation
Dimensions	98*55*26mm ((L*W*T)
Weight	0.2kg

Note:

- This manual is for reference only. Slight difference may be found in user interface.
- All the designs and software here are subject to change without prior written notice.
- All trademarks and registered trade marks are the properties of their respective owners.
- If there is any uncertainty or controversy, please refer to the final explanation of us.
- Please visit our website or contact your local service engineer for more information.