

ENGLISH

Diagram References

- 1 Appearance**
- ① Microphone
 - ② Camera
 - ③ Indicator
 - ④ Button
 - ⑤ Card Reading Area
 - ⑥ Loudspeaker
 - ⑦ Terminals
 - ⑧ Debugging Port
 - ⑨ TAMPER
 - ⑩ Set Screw
 - ⑪ TF Card Slot
 - ⑫ Network Interface
- Note: Debugging port is used for debugging only.

Indicator Description

Unlock : Green Call: Orange Communicate: White

- 2 Terminal and Wiring**
- NC: Door Lock Relay Output (NC) 485-: RS-485 Interface (Reserved)
 - NO: Door Lock Relay Output (NO) 485+: RS-485 Interface (Reserved)
 - COM: Common Interface 12 VDC IN: Power Supply Input
 - AIN1: For the access of Door Contact GND: Grounding
 - AIN3: For the access of Exit Button
 - AIN2 & AIN4: Reserved

- 3 Installation Accessory**
- ① Mounting Template
 - ② Mounting Plate
- Note: The dimension of the mounting plate is 102.58 mm × 39.24 mm × 6.2 mm.

- 4 Installation**
- Note: Video intercom villa door station supports flush mounting and surface mounting.
Before you begin:
- Make sure all related equipments are power-off during the installation.
 - Tools that you need to prepare for installation: Drill (φ2.846) and gradienter.
 - Purchase the protective shield before installation.

- ★ Surface Mounting without Protective Shield**
1. Stick the mounting template on the wall. Drill screw holes according to the mounting template.
 - Remove the template from the wall.
 2. Secure the mounting plate on the wall with 4 supplied screws according to the screw holes.
 3. Install the villa door station to the mounting plate. Fix the device on the mounting plate with the set screw.

- ★ Surface Mounting with Protective Shield**
1. Stick the mounting template on the wall. Drill screw holes according to the mounting template.
 - Remove the template from the wall.
 2. Align the protective shield with the mounting template.
 3. Secure the mounting plate and protective shield on the wall with 4 supplied screws according to the screw holes.
 4. Install the villa door station to the mounting plate. Fix the device on the mounting plate with the set screw.

5 Configuration via Web

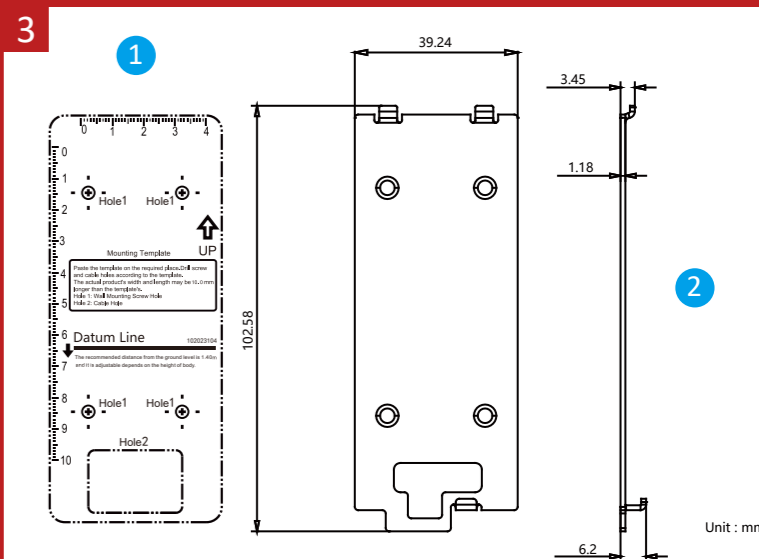
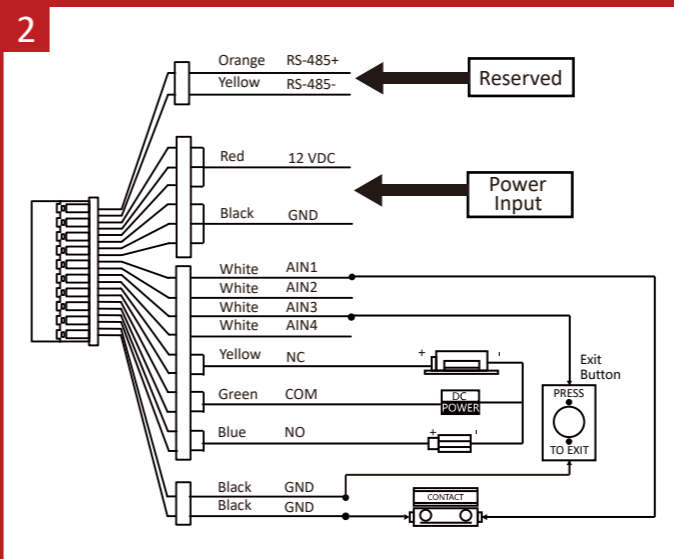
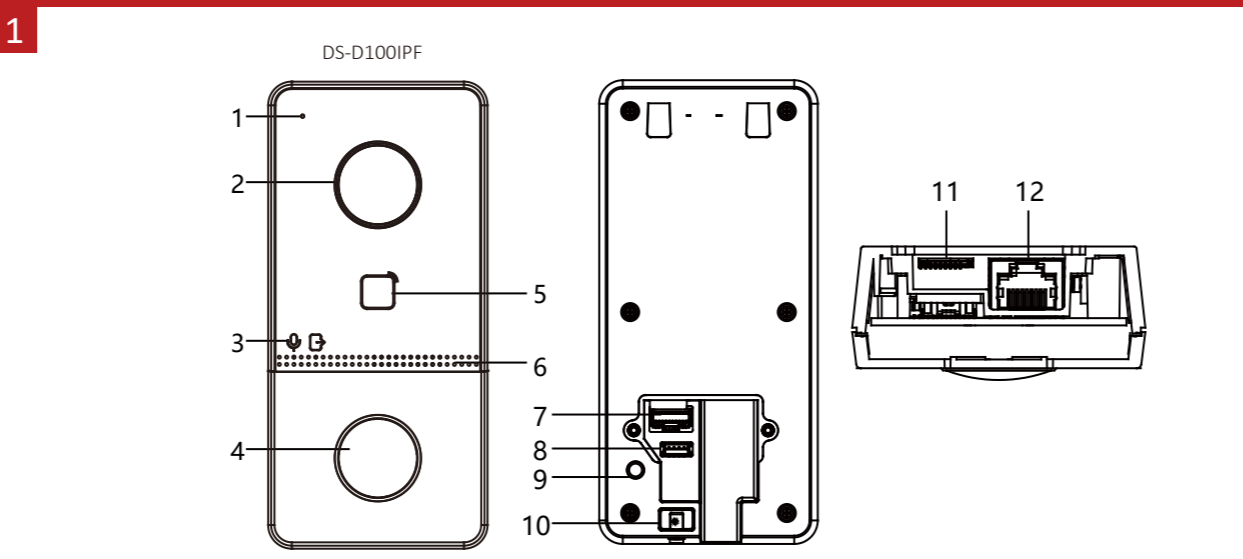
- 1 Activate Device via Web**
- You are required to activate the device first by setting a strong password for it before you can use the device.
- Default parameters of door station are as follows:
- Default IP Address: 192.0.0.65.
 - Default Port No.: 8000.
 - Default User Name: admin.
1. Power on the device, and connect the device to the network.
 2. Enter the IP address into the address bar of the web browser, and click Enter to enter the activation page.
- Note: The computer and the device should belong to the same subnet.
3. Create and enter a password into the password field.
 4. Confirm the password.
 5. Click OK to activate the device.
- Note: When the device is not activated, the basic operation and remote configuration of device cannot be performed.

- 2 Access to the Device by Web Browsers**
1. In the browser address bar, enter the IP address of the device, and press the Enter key to enter the login page.
 2. Enter the user name and password and click Login.

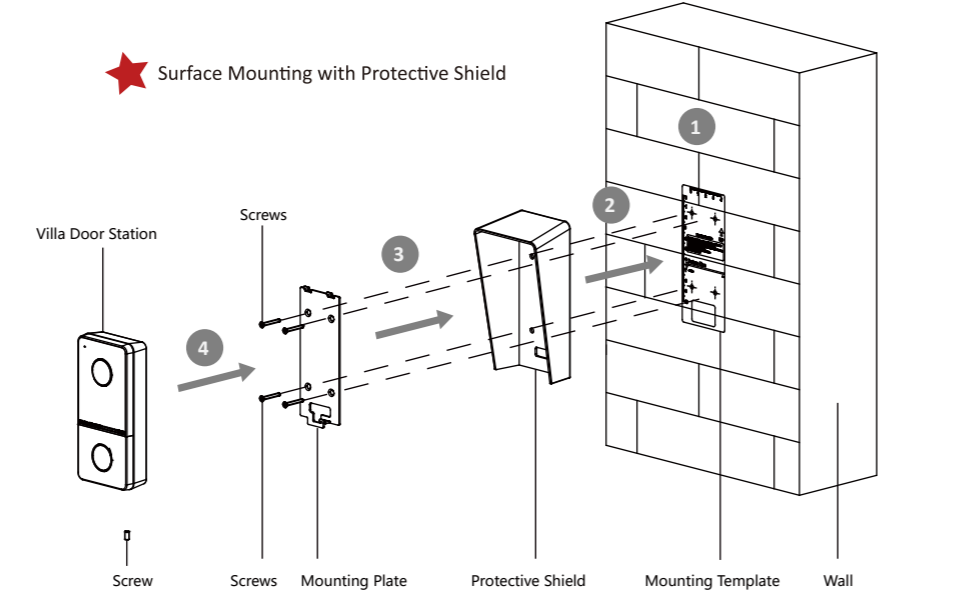
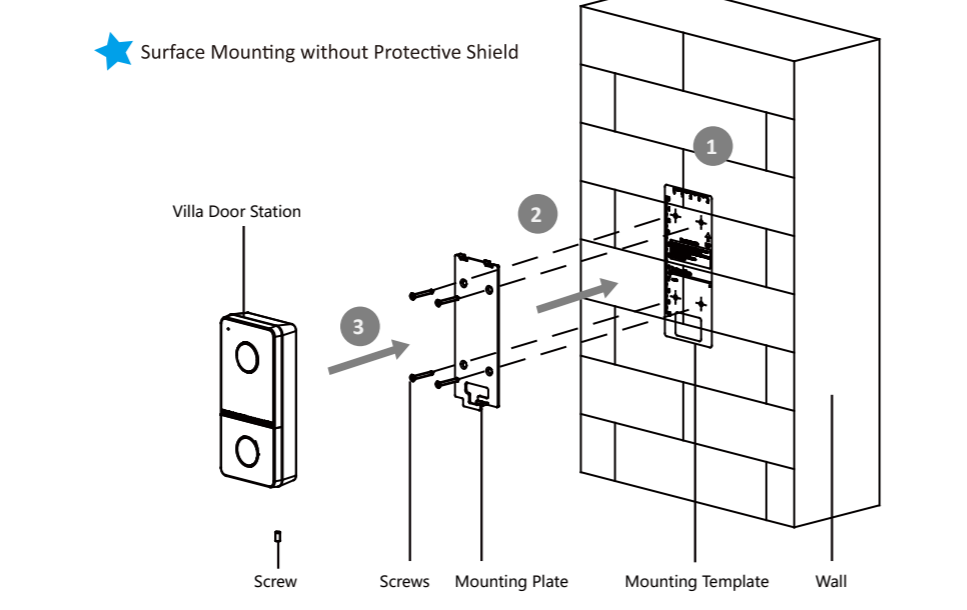
- 3 Communicate with Indoor Station**
- Note: Configure the room No. of the indoor station which is linked to the villa door station. Refer to Video Intercom Indoor Station User Manual for details.
1. Click Settings → Intercom → Press Button to Call to enter the settings page.
 2. Set the parameters.
 - Edit call No. for every button.
 - Check Call Management Center to set the button calling center.
- Note: If you check Call Management Center and set the call No. as well, call management center has higher privilege than call No.
3. Press button to call indoor station.

- 4 Issue Card**
1. Click Settings → Access Control and Elevator Control to enter the corresponding settings page.
 2. Click Issue Card. Present the card on the card reading area.
 3. When issuing finished, the windows pop up on the settings page.
 - Only Mifare card supported, and Mifare card with non-standard shape is recommended.
 - Up to 10000 cards can be issued and managed by V series door station. A voice prompt (No more cards can be issued.) can be heard when the issued card amount exceeds the upper limit.

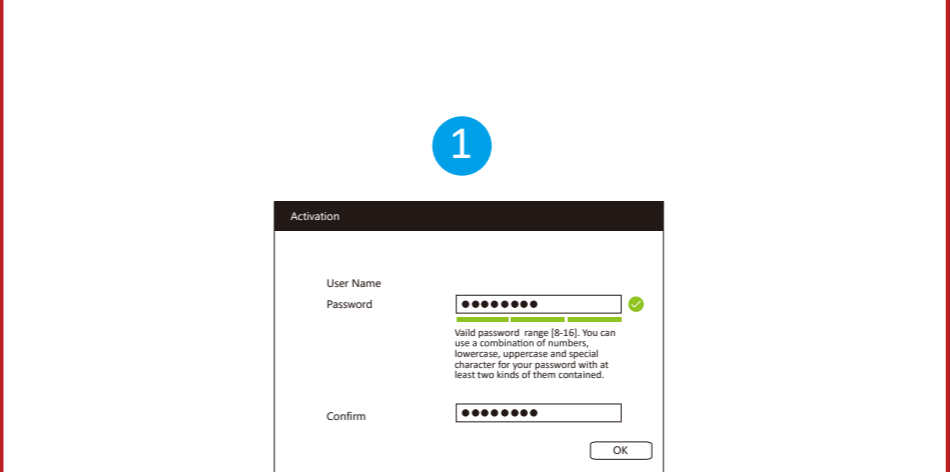
- 5 Unlock Door**
- After issuing cards, you can unlock the door by presenting the issued card.



4 Installation

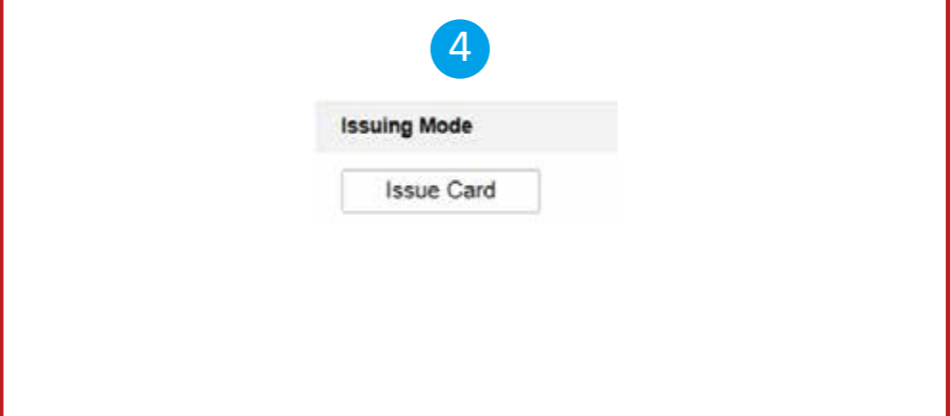


5 Configuration via Web



Button Settings

Button	Call	Call Management Center
1	0	<input type="checkbox"/>



Product Information

©2019 Hangzhou Hikvision Digital Technology Co., Ltd. It includes instructions on how to use the Product. The software embodied in the Product is governed by the user license agreement covering that Product.

About this Manual

This Manual is subject to domestic and international copyright protection. Hangzhou Hikvision Digital Technology Co., Ltd. ("Hikvision") reserves all rights to this manual. This manual cannot be reproduced, changed, translated, or distributed, partially or wholly, by any means, without the prior written permission of Hikvision.

Trademarks

HIKVISION and other Hikvision marks are the property of Hikvision and are registered trademarks or the subject of applications for the same by Hikvision and/or its affiliates. Other trademarks mentioned in this manual are the properties of their respective owners. No right of license is given to use such trademarks without express permission.

Legal Disclaimer

TO THE MAXIMUM EXTENT PERMITTED BY APPLICABLE LAW, THE PRODUCT DESCRIBED, WITH ITS HARDWARE, SOFTWARE AND FIRMWARE, IS PROVIDED "AS IS", WITH ALL FAULTS AND ERRORS, AND HIKVISION MAKES NO WARRANTIES, EXPRESS OR IMPLIED, INCLUDING WITHOUT LIMITATION, MERCHANTABILITY, SATISFACTORY QUALITY, FITNESS FOR A PARTICULAR PURPOSE, AND NON-INFRINGEMENT OF THIRD PARTY. IN NO EVENT WILL HIKVISION, ITS DIRECTORS, OFFICERS, EMPLOYEES, OR AGENTS BE LIABLE TO YOU FOR ANY SPECIAL, CONSEQUENTIAL, INCIDENTAL, OR INDIRECT DAMAGES, INCLUDING, AMONG OTHERS, DAMAGES FOR LOSS OF BUSINESS PROFITS, BUSINESS INTERRUPTION, OR LOSS OF DATA OR DOCUMENTATION, IN CONNECTION WITH THE USE OF THIS PRODUCT, EVEN IF HIKVISION HAS BEEN ADVISED OF THE POSSIBILITY OF SUCH DAMAGES.

REGARDING TO THE PRODUCT WITH INTERNET ACCESS, THE USE OF PRODUCT SHALL BE WHOLLY AT YOUR OWN RISKS. HIKVISION SHALL NOT TAKE ANY RESPONSIBILITIES FOR ABNORMAL OPERATION, PRIVACY LEAKAGE OR OTHER DAMAGES RESULTING FROM CYBER ATTACK, HACKER ATTACK, VIRUS INSPECTION, OR OTHER INTERNET SECURITY RISKS; HOWEVER, HIKVISION WILL PROVIDE TIMELY TECHNICAL SUPPORT IF REQUIRED.

SURVEILLANCE LAWS VARY BY JURISDICTION. PLEASE CHECK ALL RELEVANT LAWS IN YOUR JURISDICTION BEFORE USING THIS PRODUCT IN ORDER TO ENSURE THAT YOUR USE CONFORMS THE APPLICABLE LAW. HIKVISION SHALL NOT BE LIABLE IN THE EVENT THAT THIS PRODUCT IS USED WITH ILLEGITIMATE PURPOSES.

IN THE EVENT OF ANY CONFLICTS BETWEEN THIS MANUAL AND THE APPLICABLE LAW, THE LATER PREVAILS.

Data Protection

During the use of device, personal data will be collected, stored and processed. To protect data, the development of Hikvision devices incorporates privacy by design principles. For example, for device with facial recognition features, biometrics data is stored in your device with encryption method; for fingerprint device, only fingerprint template will be saved, which is impossible to reconstruct a fingerprint image.

As data controller, you are advised to collect, store, process and transfer data in accordance with the applicable data protection laws and regulations, including without limitation, conducting security controls to safeguard personal data, such as, implementing reasonable administrative and physical security controls, conduct periodic reviews and assessments of the effectiveness of your security controls.

FCC Information

Please take attention that changes or modification not expressly approved by the party responsible for compliance could void the user's authority to operate the equipment.

FCC compliance: This equipment has been tested and found to comply with the limits for a Class B digital device, pursuant to part 15 of the FCC Rules. These limits are designed to provide reasonable protection against harmful interference in a residential installation. This equipment generates, uses and can radiate radio frequency energy and, if not installed and used in accordance with the instructions, may cause harmful interference to radio communications. However, there is no guarantee that interference will not occur in a particular installation. If this equipment does cause harmful interference to radio or television reception, which can be determined by turning the equipment off and on, the user is encouraged to try to correct the interference by one or more of the following measures:

- Reorient or relocate the receiving antenna.
- Increase the separation between the equipment and receiver.
- Connect the equipment into an outlet on a circuit different from that to which the receiver is connected.
- Consult the dealer or an experienced radio/TV technician for help.

This equipment should be installed and operated with a minimum distance 20cm between the radiator and your body.

FCC Conditions

This device complies with part 15 of the FCC Rules. Operation is subject to the following two conditions:

1. This device may not cause harmful interference.
2. This device must accept any interference received, including interference that may cause undesired operation.

EU Conformity Statement

This product and - if applicable - the supplied accessories too are marked with "CE" and comply therefore with the applicable harmonized European standards listed under the RE Directive 2014/53/EU, the EMC Directive 2014/30/EU, the RoHS Directive 2011/65/EU.

2006/66/EC (battery directive): This product contains a battery that cannot be disposed of as unsorted municipal waste in the European Union. See the product documentation for specific battery information. The battery is marked with this symbol, which may include lettering to indicate cadmium (Cd), lead (Pb), or mercury (Hg). For proper recycling, return the battery to your supplier or to a designated collection point. For more information see: www.recyclethis.info

2012/19/EU (WEEE directive): Products marked with this symbol cannot be disposed of as unsorted municipal waste in the European Union. For proper recycling, return this product to your local supplier upon the purchase of equivalent new equipment, or dispose of it at designated collection points. For more information see: www.recyclethis.info

IC statement

This device complies with Industry Canada licence-exempt RSS standard(s). Operation is subject to the following two conditions:

- (1) This device may not cause interference, and
- (2) This device must accept any interference, including interference that may cause undesired operation of the device.

Le présent appareil est conforme aux CNR d'Industrie Canada applicables aux appareils radioexemptés de licence. L'exploitation est autorisée aux deux conditions suivantes :

- (1) L'appareil ne doit pas produire de brouillage, et
- (2) L'utilisateur de l'appareil doit accepter tout brouillage radioélectrique subi, même si le brouillage est susceptible d'en compromettre le fonctionnement.

Under Industry Canada regulations, this radio transmitter may only operate using an antenna of a type and maximum (or lesser) gain approved for the transmitter by Industry Canada. To reduce potential radio interference to other users, the antenna type and its gain should be so chosen that the equivalent isotropically radiated power (e.i.r.p.) is not more than that necessary for successful communication.

Conformément à la réglementation d'Industrie Canada, le présent émetteur radio peut fonctionner avec une antenne d'un type et d'un gain maximal (ou inférieur) approuvé par l'émetteur par Industrie Canada. Dans le but de réduire les risques de brouillage radioélectrique à l'intention des autres utilisateurs, il faut choisir le type d'antenne et son gain de sorte que la puissance isotrope rayonnée équivalente (p.i.r.e.) ne dépasse pas l'intensité nécessaire à l'établissement d'une communication satisfaisante.

This equipment complies with IC RSS-102 radiation exposure limits set forth for an uncontrolled environment. This equipment should be installed and operated with minimum distance 20cm between the radiator & your body.

ce matériel est conforme aux limites de dose d'exposition aux rayonnements, CNR-102 énoncée dans un autre environnement.cette équipement devrait être installé et exploité avec distance minimale de 20 entre le radiateur et votre corps.

FRANÇAIS

Références du schéma

1 Apparence

- Microphone
- Caméra
- Indicateur
- Touche
- Zone de lecture de carte
- Haut-parleur
- Bornes
- Port de dépannage
- SABOTAGE
- Vis de blocage
- Fente pour carte TF
- interface réseau

Remarque : le port de débogage sert uniquement au débogage.

Description de l’indicateur
Déverrouillage : vert
Appeler : orange
Communiquer : blanc

2 Borne et câblage

NF : sortie du relais de verrou de porte (NF)
NO : sortie du relais de verrou de porte (NO)
COM : interface commune
AIN1 : pour l'accès au contact de porte
AIN3 : pour l'accès au bouton de sortie
AIN2 & AIN4 : réservé
485- : interface RS-485 (réservé)
485+ : interface RS-485 (réservé)
COM : interface commune
Entrée 12 V CC : entrée d'alimentation électrique
GND : mise à la terre

3 Accessoire d’installation

- Gabarit de montage
- Plaque de fixation

Remarque : les dimensions de la plaque de montage sont 102,58 mm × 39,24 mm × 6,2 mm.

4 Installation

Remarque : la station de porte de villa à interphone vidéo prend en charge le montage encastré et le montage en surface.

Avant de commencer :

- Assurez-vous que tous les équipements associés sont hors tension lors de l’installation.
- Préparez les outils nécessaires à l’installation : Perceuse (ø2,846) et gradienteur.
- Achetez l’écran de protection avant l’installation.

★ Montage en surface sans écran de protection

- Collez le gabarit de perçage au mur. Percez des trous de vis conformément au gabarit de perçage. Retirez le gabarit du mur.
- Fixez la plaque de montage au mur avec les 4 vis fournies à travers les trous prévus à cet effet.
- Installez la station de porte de villa à la plaque de montage. Fixez l'appareil sur la plaque de montage avec la vis de blocage.

★ Montage en surface avec écran de protection

- Collez le gabarit de perçage au mur. Percez des trous de vis conformément au gabarit de perçage. Retirez le gabarit du mur.
- Alignez l’écran de protection avec le gabarit de perçage.
- Fixez la plaque de montage et l’écran de protection au mur avec les 4 vis fournies à travers les trous prévus à cet effet.
- Installez la station de porte de villa à la plaque de montage. Fixez l'appareil sur la plaque de montage avec la vis de blocage.

5 Configuration via le Web

1 Activation de l’appareil via le Web

Avant de pouvoir utiliser l'appareil, vous devez d'abord activer celui-ci en définissant un mot de passe fort.

Les paramètres par défaut de la station de porte sont les suivants :

- Adresse IP par défaut : 192.0.0.65.
- N° de port par défaut : 8000.
- Nom d'utilisateur par défaut : admin.

- Allumez l'appareil et connectez-le au réseau.
- Saisissez l'adresse IP dans la barre d'adresse du navigateur web, puis cliquez sur Entrée pour accéder à la page d'activation.

Remarque : l'ordinateur et l'appareil doivent se trouver sur le même sous-réseau.

- Créez et saisissez un mot de passe dans le champ prévu à cet effet.
- Confirmez le mot de passe.
- Cliquez sur OK pour activer l'appareil.

Remarque : lorsque l'appareil n'est pas activé, le fonctionnement de base et la configuration à distance de l'appareil ne peuvent pas être effectués.

2 Accès à l'appareil via un navigateur web

- Dans la barre d'adresse du navigateur, saisissez l'adresse IP de l'appareil, puis appuyez sur la touche Entrée pour accéder à la page de connexion.
- Saisissez le nom d'utilisateur et le mot de passe, puis cliquez sur Connexion.

3 Communiquer avec la station intérieure

Remarque : configurez le numéro de pièce de la station intérieure qui est liée à la station de porte de villa. Consultez le manuel de l'utilisateur de la station intérieure à interphone vidéo pour plus de détails.

- Cliquez sur Paramètres → Interphone → Appuyer sur le bouton pour appeler pour accéder à la page des paramètres.
- Réglez les paramètres.
 - Modifiez le numéro d'appel pour chaque bouton.
 - Cochez la case Appeler le Centre de gestion pour définir le bouton permettant d'appeler le centre.

Remarque : si vous cochez la case Appeler le centre de gestion et définissez également le numéro d'appel, l'appel du centre de gestion disposera d'un privilège supérieur au numéro d'appel.

- Appuyez sur le bouton pour appeler la station intérieure.

4 Émettre une carte

- Cliquez sur Paramètres → Contrôle d'accès et contrôle de l'ascenseur pour accéder à la page des paramètres.
- Cliquez sur Émettre carte. Présentez la carte dans la zone de lecture de carte.
- Lorsque l'émission est terminée, la fenêtre affiche la page des paramètres.
 - Seules les cartes Mifare sont prises en charge, et une carte Mifare de forme non standard est conseillée.
 - Jusqu'à 10000 cartes peuvent être émises et gérées par la station de porte de série V. Une invite vocale (« aucune autre carte ne peut être émise ») se fera entendre lorsque le nombre de cartes émises dépassera la limite supérieure.

5 Déverrouiller la porte

Après avoir émis une carte, vous pourrez déverrouiller la porte en présentant la carte émise.

PORTUGUÊS

Referências do diagrama

1 Apresentação

- Microfone
- Câmera
- Indicador
- Botão
- Área de leitura de cartões
- Alto-falante
- Terminais
- Porta de depuração
- VIOLAÇÃO
- Parafuso de fixação
- Slot de cartão TF
- Interface de rede

Observação: a porta de depuração é usada apenas para essa finalidade.

Descrição do indicador
Desbloquear: verde
Chamar: laranja
Comunicar-se: branco

2 Terminais e fiação

NC: Saída do relé de bloqueio de porta (NF)
NO: Saída do relé de bloqueio de porta (NA)
COM: Interface comum
AIN1: Para acesso do contato da porta
AIN3: Para acesso do botão de saída
AIN2 e AIN4: Reservado
485-: Interface RS-485 (reservado)
485+ : Interface RS-485 (reservado)
COM: Interface comum
ENTRADA 12 VCC: entrada de la fuente de alimentación
12 VDC IN: Fonte de alimentação
12 VCC GND: Aterramento

3 Acessórios de instalação

- Gabarito de montagem
- Placa de montagem

Observação: medidas da placa de montagem: 102,58 × 39,24 × 6,2 mm.

4 Instalação

Observação: a estação de porta villa de intercomunicação por vídeo permite montagens embutidas e de superfície.

Antes de você começar:

- Garanta que todos os equipamentos relacionados estejam desligados durante a instalação.
- Ferramentas que você precisa para a instalação: Broca (ø 2,846 mm) e nível.
- Adquira a capa de proteção antes da instalação.

★ Montagem de superfície sem capa de proteção

- Fixe o gabarito de montagem na parede. Faça os furos dos parafusos na parede de acordo com o gabarito de montagem. Retire o gabarito da parede.
- Prenda a placa de montagem na parede com os 4 parafusos fornecidos de acordo com os furos.
- Instale a estação da porta villa na placa de montagem. Prenda o dispositivo na placa de montagem com o parafusos de fiação.

★ Montagem de superfície com capa de proteção

- Fixe o gabarito de montagem na parede. Faça os furos dos parafusos na parede de acordo com o gabarito de montagem. Retire o gabarito da parede.
- Alinhe a capa de proteção com o gabarito de montagem.
- Prenda a placa de montagem e a capa de proteção na parede com os 4 parafusos fornecidos de acordo com os furos.
- Instale a estação da porta villa na placa de montagem. Prenda o dispositivo na placa de montagem com o parafusos de fiação.

5 Configuração pela web

1 Ativar o dispositivo pela web

Antes de poder usar o dispositivo, é necessário primeiro ativá-lo com a definição de uma senha forte para ele.

Os parâmetros padrão da estação de porta são os seguintes:

- Endereço IP padrão: 192.0.0.65.
- N.º de porta padrão: 8000.
- Nome de usuário padrão: admin.

- Ligue o dispositivo e conecte-o à rede.
- Digite o endereço IP na barra de endereços do navegador da web e pressione Enter para entrar na página de ativação.

Observação: o computador e o dispositivo devem estar conectados à mesma sub-rede.

- Crie e digite uma senha no campo de senha.
- Confirme a senha.
- Clique em OK para ativar o dispositivo.

Observação: se o dispositivo não estiver ativado, tanto a operação básica como a configuração remota do dispositivo não poderão ser executadas.

2 Acesso ao dispositivo por navegadores da web

- Digite o endereço IP do dispositivo na barra de endereços do navegador e pressione Enter para entrar na página de acesso.
- Digite o nome de usuário e a senha e clique em Acessar.

3 Comunicação com a estação interna

Observação: configure o número do local da estação interna que está vinculada à estação de porta villa. Consulte o Manual do Usuário da Estação Interna de Intercomunicação por Vídeo para mais detalhes.

- Clique em “Configurações → Intercom. → Press. botão para chamar” para entrar na página de configurações.
- Defina os parâmetros.
 - Edite o n.º a chamar para todos os botões.
 - Marque “Chamar central de gerenciamento” para definir o botão da central de atendimento.

Observação: se você marcar “Chamar central de gerenciamento” e também definir o n.º a chamar, “Chamar central de gerenciamento” terá prioridade mais alta do que o n.º a chamar.

- Pressione o botão para chamar a estação interna.

4 Emitir cartão

- Clique em “Configurações → Controle de acesso e controle de elevadores” para entrar na página de configuração correspondente.
- Clique em “Emitir cartão”. Aproxime o cartão da área de leitura de cartões.
- Quando a emissão for concluída, janelas serão exibidas na página de configuração.
 - Apenas o cartão Mifare é suportado. É recomendado o uso de cartões Mifare com formato não padrão.
 - Até 10000 cartões podem ser emitidos e gerenciados pela estação de porta da série V. A mensagem de voz “Não é possível emitir más cartões” poderá ser ouvida quando a quantidade de cartões emitidos exceder o limite.

5 Desbloquear porta

Após a emissão dos cartões, você poderá usá-los para desbloquear a porta.

ПOCTAВLИ CИCTEM БEЗOПACНOCTEI TELECAMERA.RU

E SPAÑOL

Referencias del diagrama

1 Apariencia

- Micrófono
- Cámara
- Indicador
- Botón
- Área de lectura de tarjetas
- Altavoz
- Terminales
- Puerto de depuración
- MANIPULACIÓN
- Tornillo de presión
- Ranura para tarjeta TF
- interfaz de red

Nota: el puerto de depuración solo se utiliza para eliminar fallos del sistema.

Descripción del indicador
Desbloquear: verde
Llamar: naranja
Comunicar: blanco

2 Terminal y cableado

NC: salida de relé de cerradura de puerta (NC)
NA: salida de relé de cerradura de puerta (NA)
COM: interfaz común
AIN1: para el acceso del contacto de la puerta
AIN3: para el acceso del botón de salida
AIN2 y AIN4: reservado
485-: interfaz RS-485 (reservada)
485+ : interfaz RS-485 (reservada)
ENTRADA 12 VCC: entrada de la fuente de alimentación
TIERRA: conexión a tierra

3 Accesorio de instalación

- Plantilla de montaje
- Placa de montaje

Nota: Las dimensiones de la placa de montaje son de 102,58 mm × 39,24 mm × 6,2 mm.

4 Instalación

Nota: la estación de video intercomunicador para puerta de chalé es compatible con el montaje empotrado y el montaje en superficie.

Antes de empezar:

- Asegúrese de que todos los equipos relacionados estén apagados durante la instalación.
- Herramientas que necesita para la instalación: Taladro (ø2,846) y nivel.
- Adquiera la chapa protectora antes de la instalación.

★ Montaje en superficie sin chapa protectora

- Pegue la plantilla de montaje en la pared. Taladre los agujeros para los tornillos según la plantilla de montaje. Retire la plantilla de la pared.
- Sujete la placa de montaje en la pared colocando los 4 tornillos incluidos en sus agujeros correspondientes.
- Instale la estación para puerta de chalé en la placa de montaje. Fije el dispositivo en la placa de montaje con el tornillo de presión.

★ Montaje en superficie con chapa protectora

- Pegue la plantilla de montaje en la pared. Taladre los agujeros para los tornillos según la plantilla de montaje. Retire la plantilla de la pared.
- Alinee la chapa protectora con la plantilla de montaje.
- Sujete la placa de montaje y la chapa protectora en la pared colocando los 4 tornillos incluidos en sus agujeros correspondientes.
- Instale la estación para puerta de chalé en la placa de montaje. Fije el dispositivo en la placa de montaje con el tornillo de presión.

5 Configuración a través de la web

1 Activar el dispositivo a través de la web

Antes de poder utilizar el dispositivo es necesario activarlo estableciendo una contraseña segura.

Los parámetros predeterminados de la estación para puerta son los siguientes:

- Dirección IP predeterminada: 192.0.0.65.
- N.º de puerto predeterminado: 8000.
- Nombre de usuario predeterminado: admin.

- Encienda el dispositivo y conéctelo a la red.
- Introduzca la dirección IP en la barra de direcciones del navegador web y pulse Intro para acceder a la página de activación.

Nota: el ordenador y el dispositivo deben pertenecer a la misma subred.

- Cree una contraseña e introduzca la en el campo de contraseña.
- Confirme la contraseña.
- Haga clic en OK para activar el dispositivo.

Nota: si el dispositivo no está activado, las operaciones básicas y la configuración remota no se podrán realizar.

2 Acceso al dispositivo a través de navegadores web

- En la barra de direcciones del navegador, introduzca la dirección IP del dispositivo y pulse la tecla Intro para acceder a la página de inicio de sesión.
- Introduzca el nombre de usuario y la contraseña y haga clic en Iniciar sesión.

3 Comunicarse con la estación interior

Nota: configure el n.º de habitación de la estación interior que esté vinculada con la estación para puerta de chalé. Consulte el manual de usuario de la estación interior de video intercomunicador para más información.

- Haga clic en Ajustes → Intercomunicador → Pulsar botón para llamar, para acceder a la página de ajustes
- Configure los parámetros.
 - Edite el n.º de llamada de todos los botones.
 - Marque Centro de administración de llamadas para establecer el botón del centro de llamadas.

Nota: si marca Centro de administración de llamadas y establece también el n.º de llamada, el centro de administración de llamadas tendrá más privilegios que el n.º de llamada.

- Pulse el botón para llamar a la estación interior.

4 Emitir tarjeta

- Haga clic en Ajustes → Control de acceso y control de ascensor, para acceder a la página de ajustes correspondiente.
- Haga clic en Emitir tarjeta. Coloque la tarjeta en el área de lectura de tarjetas.
- Quando la emisión finalice, las ventanas aparecerán en la página de ajustes.
 - Solo es compatible con tarjetas Mifare y se recomiendan tarjetas Mifare de forma no estándar.
 - Las estaciones para puertas de la gama V pueden emitir y administrar hasta 10000 tarjetas. Se oirá un aviso de voz (“no se pueden emitir más tarjetas”) cuando la cantidad de tarjetas emitidas supere el límite.

5 Desbloquear puerta

Después de emitir las tarjetas, puede desbloquear la puerta presentando la tarjeta emitida.

DEUTSCH

Verweise auf Schaubilder

1 Optik

- Mikrofon
- Kamera
- Statusanzeige
- Taste
- Kartenlesebereich
- Lautsprecher
- Anschlussklemmen
- Debug-Anschluss
- SABOTAGE
- Feststellschraube
- microSD-Kartensteckplatz
- Netzwerkanschluss

Hinweis: Debugging-Anschluss dient ausschließlich dem Debugging.

Anzeigen
Entriegeln: Grün
Anruf: Orange
Kommunikation: Weiß

2 Anschlüsse und Verkabelung

NC: Türschloss-Relaisausgang (NC)
NO: Türschloss-Relaisausgang (NO)
COM: Allgemeine Schnittstelle
AIN1: Für den Anschluss des Türkontakts
AIN3: Für den Anschluss der Ausgangstaste
AIN2 und AIN4: Reserviert
485-: RS-485-Schnittstelle (reserviert)
485+ : RS-485-Schnittstelle (reserviert)
12-V-Gleichspannungseingang: Stromversorgungseingang
Masse: Masse

3 Installationszubehör

- Montageschablone
- Montageplatte

Hinweis: Die Abmessungen der Montageplatte betragen 102,58 × 39,24 × 6,2 mm.

4 Installation

Hinweis: Einfamilienhaus-Türstation mit Video-Gegensprechfunktion unterstützt Unterputz- und Aufputzmontage.

Bevor Sie beginnen:

- Achten Sie darauf, dass alle relevanten Geräte während der Montage ausgeschaltet sind.
- Werkzeuge, die Sie für die Montage vorbereiten müssen: Bohrer (ø 2,846) und Wasserwaage.
- Kaufen Sie die Schutzabdeckung vor der Installation.

★ Aufputzmontage ohne Schutzabdeckung

- Kleben Sie die Montageschablone an die Wand. Bohren Sie Schraubenlöcher entsprechend der Montageschablone. Entfernen Sie die Schablone von der Wand.
- Befestigen Sie die Montageplatte entsprechend den Schraubenlöchern mit 4 mitgelieferten Schrauben an der Wand.
- Installieren Sie die Einfamilienhaus-Türstation auf der Montageplatte. Befestigen Sie das Gerät mit der Feststellschraube auf der Montageplatte.

★ Aufputzmontage mit Schutzabdeckung

- Kleben Sie die Montageschablone an die Wand. Bohren Sie Schraubenlöcher entsprechend der Montageschablone. Entfernen Sie die Schablone von der Wand.
- Richten Sie die Schutzabdeckung mit der Montageschablone aus.
- Befestigen Sie Montageplatte und Schutzabdeckung entsprechend den Schraubenlöchern mit 4 mitgelieferten Schrauben an der Wand.
- Installieren Sie die Einfamilienhaus-Türstation auf der Montageplatte. Befestigen Sie das Gerät mit der Feststellschraube auf der Montageplatte.

5 Konfiguration über das Internet

1 Geräteaktivierung über das Internet

Sie müssen das Gerät vor der Verwendung zunächst aktivieren, indem Sie ein starkes Passwort festlegen.

Standardparameter der Türstation sind wie folgt:

- Standard-IP-Adresse: 192.0.0.65.
- Standard-Port-Nr.: 8000.
- Standard-Benutzername: admin.

- Schalten Sie das Gerät ein und verbinden Sie es mit dem Netzwerk.
- Geben Sie die IP-Adresse in die Adresszeile des Webbrowsers ein und drücken Sie Enter, um die Aktivierungsseite aufzurufen.

Hinweis: Computer und Gerät müssen sich im selben Subnetz befinden.

- Erstellen Sie ein Passwort und geben Sie dieses in das Passwortfeld ein.
- Bestätigen Sie das Kennwort.
- Klicken Sie zum Aktivieren des Geräts auf OK.

Hinweis: Wenn das Gerät nicht aktiviert ist, können grundlegende Bedienung und Fernkonfiguration des Gerätes nicht durchgeführt werden.

2 Zugriff auf das Gerät über Webbrowser

- Geben Sie in die Adresszeile des Browsers die IP-Adresse des Gerätes ein und drücken Sie zum Aufrufen der Anmeldeseite Enter.
- Geben Sie den Benutzernamen und das Passwort ein und klicken Sie auf Anmelden.

3 Mit der Innenstation kommunizieren

Hinweis: Konfigurieren Sie die Raum-Nr. der Innenstation, die mit der Türstation des Einfamilienhauses verbunden ist. Einzelheiten können Sie dem Benutzerhandbuch der Innenstation mit Video-Gegensprechfunktion entnehmen.

- Klicken Sie zum Aufrufen der Einstellungsseite auf Einstellungen → Gegensprechen → Zum Anrufen Taste drücken.
- Legen Sie die Parameter fest.
 - Bearbeiten Sie die Anruf-Nr. für jede Taste.
 - Aktivieren Sie das Kontrollkästchen Anrufmanagement-Center, um die Taste Center anrufen einzustellen.

Hinweis: Wenn Sie das Kontrollkästchen Anrufmanagement-Center aktivieren und die Anruf-Nr. festlegen, hat das Anrufmanagement-Center Vorrang vor der Anruf-Nr.

- Drücken Sie die Taste zum Anrufen der Innenstation.

4 Ausstellen einer Karte

- Klicken Sie zum Aufrufen der entsprechenden Einstellungsseite auf Einstellungen → Zutrittskontrolle und Fahrstuhlüberwachung.
- Klicken Sie auf Karte ausstellen. Zeigen Sie die Karte am Kartenlesebereich vor.
- Bei Abschluss der Ausstellung erscheint ein Fenster auf der Einstellungsseite.
 - Es werden nur Mifare-Karten unterstützt; zudem werden Mifare-Karten mit nicht standardmäßiger Form empfohlen.
 - Über die Türstation der V-Serie können bis zu 10000 Karten ausgestellt und verwaltet werden. Sobald die Kartenanzahl die Obergrenze erreicht, erfolgt die Ansage (Es können keine weiteren Karten ausgestellt werden).

5 Tür entriegeln

Nach der Kartenausstellung können Sie die Tür durch Vorzeigen der ausgestellten Karte entriegeln.

ČEŠTINA

Odkazy na schéma

1 Vzhled

- | | | | | |
|-------------------------|-----------------------------|---------------------------|---------------------------------------|-----------------------------|
| 1 Mikrofon | 2 Kamera | 3 Indikátor | 4 Tlačítko | 5 Oblast čtení karty |
| 6 Reproduktor | 7 Svorky | 8 Ladicí port | 9 PROTI NEOPŘÁVNĚNÉ MANIPULACI | |
| 10 Stavěcí šroub | 11 Slot pro kartu TC | 12 Síťové rozhraní | | |

Poznámka: Ladicí port se používá jen k ladění.

Popis indikátoru			
Odemknout: zelená	Volání: oranžová	Komunikace: bílá	

2 Svorka a zapojení

NC: Reléový výstup zámku dveří (NC)	AIN2 a AIN4: Vyhrazeno
NO: Reléový výstup zámku dveří (NO)	485-: Rozhraní RS-485 (vyhrazeno)
COM: Konektor Common Interface	485+: Rozhraní RS-485 (vyhrazeno)
AIN1: Pro přístup dveřního kontaktu	VSTUP 12 V: Vstup napájení
AIN3: Pro přístup tlačítka odchodu	ZEM: Uzemnění

3 Příslušenství pro instalaci

- | | |
|---------------------------|-------------------------|
| 1 Montážní šablona | 2 Montážní deska |
|---------------------------|-------------------------|

 Poznámka: Rozměry montážní desky jsou 102,58 mm × 39,24 mm × 6,2 mm.

4 Montáž

*Poznámka: Dveřní stanice Villa s modulem pro videokomunikaci umožňují zapuštěnou i povrchovou montáž. **Dříve než začnete:***

- Ujistěte se, že veškerá příslušná zařízení jsou během instalace vypnutá.
- Nástroje, které si musíte připravit na instalaci: Vrták (ø 2,846) a sklonoměr.
- Před instalací zakupte ochranný štít.

Povrchová montáž bez ochranného štítu

- Připevněte montážní desku na stěnu. Vytvrťte otvory podle montážní šablony. Sejměte šablonu ze stěny.
- Zajistěte montážní desku na stěně 4 dodanými šrouby v příslušných otvorech na šrouby.
- Instalujte dveřní stanici Villa na montážní šablonu. Připevněte zařízení na montážní šablonu stavěcím šroubem.

★ Povrchová montáž s ochranným štítem

- Připevněte montážní desku na stěnu. Vytvrťte otvory podle montážní šablony. Sejměte šablonu ze stěny.
- Zarovnejte ochranný štít s montážní šablonou.
- Zajistěte montážní desku a ochranný štít na stěně 4 dodanými šrouby v příslušných otvorech na šrouby.
- Instalujte dveřní stanici Villa na montážní šablonu. Připevněte zařízení na montážní šablonu stavěcím šroubem.

5 Konfigurace po internetu

1 Aktivace zařízení po internetu

Před použitím zařízení je musíte aktivovat nastavením silného hesla.

Výchozí parametry dveřní stanice jsou tyto:

- Výchozí IP adresa: 192.0.0.65.
- Výchozí č. portu: 8000.
- Výchozí uživatelské jméno: admin.

- Zapněte zařízení a připojte zařízení k síti.
- Do adresního řádku webového prohlížeče zadejte IP adresu a kliknutím na Enter otevřete aktivační stránku.

Poznámka: Počítač a zařízení by měly být připojeny do stejné podsítě.

- Vytvořte heslo a zadejte je do pole pro heslo.
- Potvrďte heslo.

5. Pro aktivaci zařízení klikněte na tlačítko OK.

Poznámka: Pokud zařízení není aktivováno, nelze provádět základní operace ani vzdálenou konfiguraci zařízení.

2 Přístup k zařízení z webových prohlížečů

- Do adresního řádku prohlížeče zadejte IP adresu zařízení a stiskněte klávesu Enter. Otevře se stránka pro přihlášení.
- Zadejte uživatelské jméno a heslo a klikněte na tlačítko Přihlásit.

3 Komunikace s vnitřní stanicí

Poznámka: Nastavte číslo místnosti vnitřní stanice, která je připojena k dveřní stanici Villa. Podrobnosti najdete v návodu k použití vnitřní stanice s modulem pro videokomunikaci.

- Klikněte na možnost Nastavení → Intercom → Volání stisknutím tlačítka. Otevře se stránka nastavení.
 - Nastavte parametry.
 - Upravte č. volání pro každé tlačítko.
 - Zaškrtněte Centrum správy hovorů a nastavte centrum volání stisknutím tlačítka.

Poznámka: Pokud zaškrtnete Centrum správy hovorů a nastavíte také č. volání, centrum správy volání bude mít vyšší oprávnění než č. volání.

- Stisknutím tlačítka můžete volat vnitřní stanici.

4 Vydání karty

- Klikněte na Nastavení → Řízení přístupu a ovládání výtahu a otevřete příslušnou stránku nastavení.
- Klikněte na Vydat kartu. Vložte kartu do oblasti čtení karty.
- Po dokončení vydávání se otevře okno se stránkou nastavení.
 - Podporována je jen karta Mifare a doporučuje se karta Mifare nestandardního tvaru.
 - Dveřní stanice řady V mohou vydat a spravovat až 10000 karet. Pokud počet vydaných karet překročí horní limit, může zaznít hlasová výzva (Nelze vydat další karty.).

5 Odemknutí dveří

Po vydání karet můžete dveře odemknout předložením vydané karty.

POLSKI

Opis diagramu

1 Elementy urządzdenia

- | | | | | |
|----------------------------|----------------------------|--------------------------------|--|-----------------------|
| 1 Mikrofon | 2 Kamera | 3 Wskaźnik | 4 Przycisk | 5 Czytnik kart |
| 6 Głośnik | 7 Zaciski | 8 Złącze do debugowania | 9 Zabezpieczenie antysabotażowe | |
| 10 Śruba ustalająca | 11 Gniazdo karty TF | 12 złącze sieciowe | | |

Uwaga: Złącze debugowania jest używane wyłącznie do debugowania.

Opis wskaźników			
Odblokowanie: zielony	Połączenie: pomarańczowy	Komunikacja: biały	

2 Zaciski i okablowanie

NC: wyjście przekaźnika zamka drzwi (rozwierno)	AIN2 i AIN4: zarezerwowane
NO: wyjście przekaźnika zamka drzwi (zwierno)	485-: złącze RS-485 (zarezerwowane)
COM: interfejs wspólny	485+: złącze RS-485 (zarezerwowane)
AIN1: dostęp do stykowego czujnika drzwiowego	12 VDC IN: wejście zasilacza
AIN3: dostęp do przycisku wyjścia	GND: masa

3 Akcesoria instalacyjne

- | | |
|-----------------------------|---------------------------|
| 1 Szablon montażyowy | 2 Płyta montażyowa |
|-----------------------------|---------------------------|

 Uwaga: Płyta montażyowa ma wymiary 102,58 mm × 39,24 mm × 6,2 mm.

4 Instalacja

*Uwaga: Należy skonfigurować numer lokalu panelu wewnętrznego powiązanego z panelem wejściowym. **Zanim rozpoczniez:***

- Upewnij się, że podczas instalacji zasilanie powiązanego wyposażenia jest wyłączone.
- Przed instalacją przygotuj następujące narzędzia: wiertło (ø 2,846) i poziomic.
- Zakup osłonę przed instalacją.

★ Montaż natynkowy bez osłony

- Przymocuj szablon montażyowy do ściany. Wywierć otwory na wkręty zgodnie z szablonem montażyowym. Usuń szablon ze ściany.
- Przymocuj płytę montażyową do ściany czterema dostarczonymi wkrętami, umieszczając je w odpowiednich otworach.
- Przymocuj panel wejściowy willi do płyty montażyowej. Przymocuj urządzenie do płyty montażyowej śrubą ustalającą.

★ Montaż natynkowy z osłoną

- Przymocuj szablon montażyowy do ściany. Wywierć otwory na wkręty zgodnie z szablonem montażyowym. Usuń szablon ze ściany.
- Ustaw osłonę zgodnie z szablonem montażyowym.
- Przymocuj płytę montażyową i osłonę do ściany czterema dostarczonymi wkrętami, umieszczając je w odpowiednich otworach.
- Przymocuj panel wejściowy willi do płyty montażyowej. Przymocuj urządzenie do płyty montażyowej śrubą ustalającą.

5 Konfiguracja internetowa

1 Internetowa aktywacja urządzenia

Przed użyciem urządzenia należy je aktywować, ustawiając silne hasło.

Domyślne parametry panelu wejściowego są następujące:

- Domyślny adres IP: 192.0.0.65.
- Domyślny numer portu: 8000.
- Domyślna nazwa użytkownika: admin.
- Wiącz zasilanie urządzenia i połącź je z siecią.

- Wprowadź adres IP na pasku adresu przeglądarki internetowej, a następnie naciśnij klawisz Enter, aby wyświetlić stronę aktywacji.

Uwaga: Komputer i urządzenie powinny należeć do tej samej podsieci.

- Utwórz hasło i wprowadź je w odpowiednim polu.
- Potwierdź hasło.

5. Kliknij przycisk OK, aby aktywować urządzenie.
Uwaga: Jeżeli urządzenie nie zostanie aktywowane, wykonywanie podstawowych operacji i zdalne konfigurowanie urządzenia nie będzie możliwe.

2 Dostęp do urządzenia przy użyciu przeglądarki internetowej

- Wprowadź adres IP urządzenia na pasku adresu przeglądarki i naciśnij klawisz Enter, aby wyświetlić stronę logowania.
- Wprowadź nazwę użytkownika i hasło, a następnie kliknij przycisk Zaloguj.

3 Komunikacja z panelem wewnętrznym

Uwaga: Należy skonfigurować numer lokalu panelu wewnętrznego powiązanego z panelem wejściowym willi.

Aby uzyskać więcej informacji, skorzystaj z Podręcznika użytkownika panelu wewnętrznego wideodomofonu.

- Kliknij Ustawienia > DomoŃi i naciśnij przycisk połączenia, aby wyświetlić stronę ustawień.
 - Ustaw parametry.
 - Edytuj numer połączenia dla każdego przycisku.
 - Zaznacz pole wyboru Centrum zarządzania połączeniami, aby ustawić centrum połączeń dla przycisku.

Uwaga: Po zaznaczeniu pola wyboru centrum zarządzania połączeniami i ustawieniu numeru połączenia centrum ma wyższy priorytet niż ten numer.

- Naciśnij przycisk, aby ustanowić połączenie z panelem wewnętrznym.

4 Wystawienie karty

- Kliknij Ustawienia → Kontrola dostępu i sterowanie windą, aby wyświetlić odpowiednią stronę ustawień.
- Kliknij przycisk Wystaw kartę. Zbliź kartę do czytnika.
- Po zakończeniu wystawiania na stronie ustawień zostaną wyświetlone okna podręczne.
 - Obsługiwane są tylko karty Mifare. Zalecane są karty Mifare o niestandardowym kształcie.
 - Panel wejściowy z serii V umożliwlia wystawienie i zarządzanie aż 10000 kart i zarządzanie nimi. Monit głosowy „Wystawiono już maksymalną dopuszczalną liczbę kart” jest odtwarzany po przekroczeniu maksymalnej dopuszczalnej liczby wystawionych kart.

5 Odblokowanie drzwi

Po wystawieniu kart można odblokováć drzwi przy użyciu tych kart.

NEEDERLANDS

Schemaverwijzingen

Uiterlijk

- | | | | | |
|-----------------------|-------------------------|------------------------------|----------------------|----------------------------|
| 1 Microfoon | 2 Camera | 3 Pictogram | 4 Toets | 5 Kaartleesgedeelte |
| 6 Luidspreker | 7 Aansluitingen | 8 Poort voor debuggen | 9 MANIPULATIE | |
| 10 Stelschroef | 11 TF-kaartsleuf | 12 Netwerkkinterface | | |

Opmerking: Foutopsporingspoort wordt alleen gebruikt voor foutopsporing.

Indicatorbeschrijving			
Ontgrendelen: Groen	Bellen: Oranje	Communiceren: Wit	

2 Aansluitingen en bedrading

NC: Uitgang deurslotrelais (NC)	AIN2 & AIN4: Gereserveerd
NO: Uitgang deurslotrelais (NO)	485-: RS-485-interface (gereserveerd)
COM: Gemeenschappelijke interface	485+: RS-485-interface (gereserveerd)
AIN1: Voor toegang tot deurcontact	12 V DC IN: Voedingsingang
AIN3: Voor toegang tot verlaatknop	GND: Aarding

3 Installatie-accessoire

- | | |
|----------------------|-----------------------|
| 1 Montagemaal | 2 Montageplaat |
|----------------------|-----------------------|

 Opmerking: De afmetingen van de montageplaat zijn 102,58 mm × 39,24 mm × 6,2 mm.

4 Installatie

*Opmerking: Video-intercom van deurstation van villa ondersteunt inbouwmontage en opbouwmontage. **Vooraf u begint:***

- Zorg ervoor dat alle bijbehorende apparatuur tijdens de installatie is uitgeschakeld.
- Gereedschap dat u nodig hebt voor de installatie: Boor (ø 2,846) en gradiënt.
- Schaf vóór installatie het beschermkappe aan.

★ Opbouwmontage zonder beschermend schild

- Plak de montagesjabloon tegen de muur. Boor schroefgaten volgens de montagesjabloon. Verwijder de sjabloon van de muur.
- Bevestig de montageplaat aan de muur met de 4 meegeleverde schroeven in overeenstemming met de schroefgaten.
- Installeer het deurstation van de villa op de montageplaat. Bevestig het apparaat aan de montageplaat met behulp van de stelschroef.

★ Opbouwmontage met beschermend schild

- Plak de montagesjabloon tegen de muur. Boor schroefgaten volgens de montagesjabloon. Verwijder de sjabloon van de muur.
- Lijn de beschermkap uit met de montagesjabloon.
- Bevestig de montageplaat en de beschermkap aan de muur met de 4 meegeleverde schroeven in overeenstemming met de schroefgaten.
- Installeer het deurstation van de villa op de montageplaat. Bevestig het apparaat aan de montageplaat met behulp van de stelschroef.

5 Configuratie via het web

1 Apparaat activeren via het web

U dient het apparaat voor gebruik eerst te activeren door er een sterk wachtwoord voor in te stellen.

Standaardparameters van het deurstation zijn als volgt:

- Default IP Address: 192.0.0.65.
- Standaard poortnr.: 8000.
- Standaard gebruikersnaam: admin.

- Zet het apparaat aan en verbind het met het netwerk.
- Voer het IP-adres in de adresbalk van de webbrowser in en druk op Enter om de activeringspagina te openen.

Opmerking: De computer en het apparaat moeten tot hetzelfde subnet behoren.

- Maak een wachtwoord aan en voer deze in het wachtwoordveld in.
- Bevestig het wachtwoord.

5. Klik op OK om het apparaat te activeren.
Opmerking: Als het apparaat niet is geactiveerd, kunnen de basisbediening en externe configuratie van het apparaat niet worden uitgevoerd.

2 Toegang tot het apparaat via webbrowsers

- Voer in de adresbalk van de browser het IP-adres van het apparaat in en druk op Enter om de inlogpagina te openen.
- Voer de gebruikersnaam en het wachtwoord in en klik op Inloggen.

3 Communiceren met binnenstation

Opmerking: Configureer het kamernr. van het binnenstation dat is gekoppeld aan het deurstation van de villa.

Raadpleeg Gebruikershandleiding van video-intercom binnenstation voor meer informatie.

- Klik op Instellingen → Intercom → Druk op de bel om de instellingenpagina te openen.
- Stel de parameters in.
 - Bewerk oproeprn. voor elke knop.
 - Vink Beheerderscentrum belen aan om de knop voor het callcenter in te stellen.

Opmerking: Als u Beheerderscentrum belen aanvinkt en tevens het oproeprn. instelt, heeft het beheerderscentrum belen een hogere prioriteit dan oproeprn.

- Druk op de knop om het binnenstation te belen.

4 Pas uitgeven

- Klik op Instellingen → Toegangscontrole en Liftcontrole om de bijbehorende instellingenpagina te openen.
- Klik op Pas uitgeven. Houd de pas bij de kaartlezer.
- Wanneer de uitgifte is voltooid, verschijnen de vensters op de instellingenpagina.
 - Uitsluitend Mifare-pas wordt ondersteund en Mifare-pas met een niet-standaard vorm wordt aanbevolen.
 - Er kunnen maximaal 256 passen worden uitgegeven en beheerd door deurstations in de V-serie. U hoort een spraakmelding (Er kunnen geen passen meer worden uitgegeven.) wanneer het aantal uitgegeven passen de bovengrens overschrijdt.

5 Deur ontgrendelen

Na het uitgeven van passen kunt u de deur ontgrendelen door de uitgegeven pas te presenteren.

HRVATSKI

Grafički prikazi

1 Izgled

- | | | | | |
|-------------------|------------------------------|---------------------------------------|------------------------------|-----------------------------------|
| 1 Mikrofon | 2 Kamera | 3 Indikator | 4 Gumb | 5 Područje čitanja kartice |
| 6 Zvučnik | 7 Terminali | 8 Port za ispravljanje grešaka | 9 NEOVLAŠTENA IZMJENA | |
| 10 Vijak | 11 Utor za TF karticu | 12 Mrežno sučelje | | |

Napomena: Port za ispravljanje pogrešaka koristi se isključivo za ispravljanje pogrešaka.

Opis indikatora			
Otključavanje: zeleno	Poziv: narančasto	Komuniciranje: bijelo	

2 Terminal i električne instalacije

NC: Izlaz releja za bravu (NC)	AIN2 i AIN4: Rezervirano
NO: Izlaz releja za bravu (NO)	485-: Sučelje RS-485 (rezervirano)
COM: Zajedničko sučelje	485+: Sučelje RS-485 (rezervirano)
AIN1: Za pristup kontaktu za vrata	12 VDC IN: Ulaz napajanja
AIN3: Za pristup gumbu za izlaz	GND: Uzemljenje

3 Dodaci za postavljanje

- | | |
|-----------------------------|--------------------------|
| 1 Montažni predložak | 2 Pričvrсна ploča |
|-----------------------------|--------------------------|

 Napomena: Dimenzije montažne ploče su 102,58 mm × 39,24 mm × 6,2 mm.

4 Postavljanje

*Napomena: Stanica za vrata vile s video interfonom podržava ugradbeno montranje i montranje na površini. **Prije početka:***

- Provjerite je li sva pripadajuća oprema isključena tijekom postavljanja.
- Alati koje trebate pripremiti za postavljanje: Bušilica (ø 2,846) i libela.
- Kupite štitnik prije postavljanja.

★ Montaža na površini bez štitnika

- Stavite montažni predložak na zid. Izbušite rupe za vijke prema montažnom predlošku. Uklonite predložak sa zida.
- Osigurajte pričvrсну ploču na zidu tako da postavite četiri isporučena vijka u izbušene rupe.
- Ugradite stanicu za vrata vile na pričvrсну ploču. Osigurajte uređaj na pričvrсноj ploči pomoću isporučenih vijaka.

★ Montaža na površini sa štitnikom

- Stavite montažni predložak na zid. Izbušite rupe za vijke prema montažnom predlošku. Uklonite predložak sa zida.
- Poravnajte štitnik pomoću montažnog predloška.
- Osigurajte pričvrсну ploču i štitnik na zidu tako da postavite četiri isporučena vijka u izbušene rupe.
- Ugradite stanicu za vrata vile na pričvrсну ploču. Osigurajte uređaj na pričvrсноj ploči pomoću isporučenih vijaka.

5 Konfiguracija preko mreže

1 Aktivacija uređaja preko mreže

Pri prvoj aktivaciji uređaja potrebno je postaviti jaku lozinku prije nego ga počnete koristiti.

Zadani parametri stanice za vrata su sljedeći:

- Zadana IP adresa: 192.0.0.65.
- Zadani br. porta: 8000.
- Zadano korisničko ime: admin.

- Uključite uređaj i povežite ga s mrežom.
- Unesite IP adresu u adresu traku web preglednika i kliknite Unesi da biste došli na stranicu za aktivaciju.

Napomena: Računalo i uređaj trebali bi pripadati istoj podmreži.

- Stvorite i unesite lozinku u polje s lozinkom.
- Potvrdite lozinku.
- Kliknite OK da biste aktivirali uređaj.

Napomena: Kada uređaj nije aktiviran, nije moguće izvoditi osnovne radnje i daljnjsku konfiguraciju uređaja.

2 Pristup uređaju putem web-preglednika

ANGOL

Ábra jelölései

1 Kinézet

- | | | | | |
|---|--|--|---|--|
| 1 Mikrofon | 2 Kamera | 3 Jelző | 4 Gomb | 5 Kártyaolvasó terület |
| 6 Hangszóró | 7 Csatlakozók | 8 Hibakereső port | 9 SZABOTÁZSKAPCSOLÓ | |
| 10 Állítócsavar | 11 TF-kártyanyílás | 12 Hálózati csatlakozó | | |

Megjegyzés: A hibakereső port csak hibakeresésre használható.

Jelzés leírása			
Nyitás: Zöld	Hívás: Narancssárga	Kommunikáció: Fehér	

2 Csatlakozó és vezetékek

NC: Ajtózár relékimenet (NC)	AIN2 és AIN4: Fenntartott
NO: Ajtózár relékimenet (NO)	485-: RS-485 csatlakozó (fenntartva)
COM: Közös csatlakozó	485+: RS-485 csatlakozó (fenntartva)
AIN1: Az ajtóérinkezőz eléréséhez	12 VDC IN: Tápegységbemenet
AIN3: A kilépés gomb eléréséhez	GND: Földelés

3 Szerelési eszköz

- | | |
|--|--|
| 1 Szerelőszablon | 2 Tartólemez |
|--|--|

Megjegyzés: A tartólemez mérete: 102,58 mm × 39,24 mm × 6,2 mm.

4 Telepítés

Megjegyzés: A videó-kaputelefon kapuállomása sikba vagy felületre szerelhető.
Mielőtt belekezdené:

- Bizonyosodjon meg arról, hogy minden kapcsolódó eszköz áramtalanított a felszerelés ideje alatt.
- Szerszámok, amelyekre a telepítés során szüksége lesz: Fűrőgép (ø2,846) és vízmérték.
- Vásárolja meg a védőburkolatot a felszerelés megkezdése előtt.

★ Felületre szerelés védőlemez nélkül

- Helyezze a szerelőszablont a falra. Fúrjon furatokat a szerelőszablon alapján. Vegye el a lemezt a falról.
- Rögzítse a csavarfuratok alapján a tartólemezt a falra a 4 mellékelt csavarral.
- Szerelje fel a kapuállomást a tartólemezre. Rögzítse az állítócsavarral a tartólemezhez a készülékét.

★ Felületre szerelés védőburkolattal

- Helyezze a szerelőszablont a falra. Fúrjon furatokat a szerelőszablon alapján. Vegye el a lemezt a falról.
- Igazítsa a védőburkolatot a szerelőszablonhoz.
- Rögzítse a tartólemezt és a védőburkolatot a falra a 4 mellékelt csavarral.
- Szerelje fel a kapuállomást a tartólemezre. Rögzítse az állítócsavarral a tartólemezhez a készülékét.

5 Weben keresztüli konfiguráció

- A készülék weben keresztüli aktiválása

Először egy erős jelszó beállításával kell aktiválnia készülékét, mielőtt használhatná azt. A kapuállomás alapértelmezett paramétereai a következők:

- Alapértelmezett IP-cím: 192.0.0.65.
- Alapértelmezett portszám: 8000.
- Alapértelmezett felhasználónév: admin.

- Kapcsolja be a készüléket, és csatlakoztassa azt a hálózatra.
- Adja meg IP-címét a webböngésző címsorában, majd kattintson a Belépés gombra az aktíváló oldalra való belépéshez.

Megjegyzés: A számítógépnek és a készüléknek ugyanahhoz az hálálózatához kell tartoznia.

- Hozzon létre és adjon meg egy jelszót a jelszó mezőben.
- Erősítse meg a jelszót.
- Kattintson az OK gombra a készülék aktiválásához.

Megjegyzés: Ha a készülék nincs aktíválva, annak alapvető kezelése és távkonfigurálása nem hajtható végre.

2 Bőngészőn keresztüli hozzáférés a készülékhez

- A böngésző címsorában adja meg készüléke IP-címét, majd nyomja meg a Belépés gombot a bejelentkezési oldalra való belépéshez.
- Adja meg felhasználónevét és jelszavát, majd kattintson a Bejelentkezés gombra.

3 Kommunikáció a beltéri egységgel

Megjegyzés: Állítsa be a kapuállomással kapcsolatban álló beltéri egység szobaszámát. Tekintse meg a videó-kaputelefon beltéri egységének használati utasításait a részletekért.

- Kattintson a Beállítások → Videó-kaputelefon → Nyomógomb a híváshoz lehetőségre a beállítások megnyitására.

- Állítsa be a paraméteket.
 - Szerkessze a gombokhoz tartozó hívószámokat.
 - Jelölje be a Híváskezelő központot a hívásközponti gomb beállításához.

Megjegyzés: Amennyiben bejelölte a Híváskezelő központot, és a hívószámokat is beállította, a Híváskezelő központ elsőbbséget élvez a hívószámokkal szemben.

- Nyomjon meg egy gombot a beltéri egység hívására.

4 Kártya kiadása

- Nyomja meg a Beállítások → Belépésvézellés és Felvonóvézellés lehetőséget a megfelelő beállítások megnyitására.
- Kattintson a Kártya kiadása gombra. Helyezze a kártyát a kártyaolvasó területre.
- A kiadás befejeztével ablakok fognak felugrani a beállítások oldalon.
 - Csak a Mifare kártyák támogatottak, illetve a nem szabványos alakú Mifare kártyák használata javasolt.
 - A V sorozatú kapuállomás legfeljebb 10000 kártyát képes kiadni és kezelni. Hangjelzés (Nem adható ki több kártya-) hallható, amikor a kiadható kártyamennyiség elérte a maximumot.

5 Ajtó nyitása

A kártyák kiadása után a kiadott kártya bemutatásával kinyithatja az ajtót.

ROMÂNĂ

Referințe diagramă

1 Aspect

- | | | | | |
|--|---|--|-----------------------------------|--|
| 1 Microfon | 2 Cameră | 3 Indicator | 4 Buton | 5 Zonă citire card |
| 6 Difuzor | 7 Terminale | 8 Port de corectare a erorilor | 9 FURT | |
| 10 Șurub de fixare | 11 Slotul cardului TF | 12 Interfață de rețea | | |

Notă: Portul de depanare este utilizat doar pentru depanare.

Descriere indicator			
Desclocare: Verde	Apelați: Portocaliu	Comunicați: Alb	

2 Terminal și cablare

NC: leșire releu pentru blocare ușă (NC, normal închis)	AIN3: Pentru acces buton leșire
NO: leșire releu pentru blocare ușă (NO, normal deschis)	AIN2 & AIN4: Rezervat
COM: Terminal comun pentru interfață	485-: Interfață RS-485 (Reservată)
AIN1: Pentru acces contact ușă	485+: Interfață RS-485 (Reservată)
	12 VDC IN: Intrare alimentare
	GND: Împământare

3 Accesoriu pentru instalare

- | | |
|---|--|
| 1 Șablon de montare | 2 Placă de montare |
|---|--|

Notă: Dimensiunea plăcii de montare este de 102,58 mm × 39,24 mm × 6,2 mm.

4 Instalarea

Notă: Stația ușă videointerfon vilă acceptă montarea la aceiași nivel și montarea pe suprafață.

Înainte de a începe:

- Asigurați-vă că toate echipamentele aferente sunt oprite în timpul instalării.
- Instrumente de care aveți nevoie pentru a vă pregăti pentru instalare: Burghiu (ø2.846) și boloboc.
- Cumpărați scutul de protecție înainte de instalare.

★ Montare pe suprafață fără scut de protecție

- Lipiiți șabloul de montare pe perete. Executați găuri pentru șuruburi conform șablonului de montare. Îndepărtați șabloul de pe perete.

- Asigurați placa de montare pe perete cu cele 4 șuruburi furnizate, folosind găurile pentru șuruburi.

- Instalați stația ușă videointerfon vilă, pe placa de montare. Fixați dispozitivul pe placa de montare cu ajutorul șurubului de fixare.

★ Montare pe suprafață cu scut de protecție

- Lipiiți șabloul de montare pe perete. Executați găuri pentru șuruburi conform șablonului de montare. Îndepărtați șabloul de pe perete.
- Aliniați scutul de protecție cu șabloul pentru montare.
- Fixați placa de montare și scutul de protecție pe perete cu cele 4 șuruburi furnizate, folosind găurile pentru șuruburi .
- Instalați stația ușă videointerfon vilă, pe placa de montare. Fixați dispozitivul pe placa de montare cu ajutorul șurubului de fixare.

5 Configurare prin Web

1 Activare dispozitiv prin Web

Înainte de a putea utiliza dispozitivul, trebuie să-l activați mai întâi, setând o parolă puternică pentru el.

Parametrii standard ai stației ușă videointerfon sunt următorii:

- Adresă IP implicită: 192.0.0.65.
- Nr. port implicit: 8000.
- Nume utilizator implici: admin.
- 1.Pormiți dispozitivul și conectați-l la rețea.
- 2. Introduceți adresa IP în bara de adrese a browserului web și faceți clic pe Enter pentru a intra în pagina de activare.

Notă: Calculatorul și dispozitivul trebuie să aparțină aceleiași subrețele.

- Creați o parolă și introduceți-o în câmpul pentru parolă.
- Confirmați parola.
- Faceți clic pe OK pentru a activa dispozitivul.

Notă: Când dispozitivul nu este activat, funcțiile de bază și configurația de la distanță a dispozitivului nu pot fi efectuate.

2 Acces la dispozitiv prin browsere web

- În bara de adrese a browserului, introduceți adresa IP a dispozitivului și apăsați tasta Enter pentru a intra în pagina de conectare.
- Introduceți numele de utilizator și parola și faceți clic pe Logare.

3 Comunicați cu stația de interior

Notă: Configurați nr. camerei al stației de interior care este conectată la stația ușă videointerfon pentru vilă. Pentru detalii, consultați Manualul utilizatorului stației de interior videointerfon.

- Faceți clic pe Setări → Interfon → Apăsați butonul pentru apelare, pentru a accesa pagina de setări.
- Setați parametrii.
 - Editați numărul de apel pentru fiecare buton.
 - Selectați Centrul gestionare apeluri pentru a seta butonul de apelare centru.

Notă: Dacă selectați Centrul gestionare apeluri și setați totodată și numărul de apel, Centrul gestionare apeluri are prioritate față de numărul de apel.

- Apăsați butonul pentru a apela stația de interior.

4 Emitere card

- Faceți clic pe Setări → Control acces și Control elevator pentru a accesa pagina de setări corespunzătoare.
- Bifați Emitere card. Prezentați cardul în zona de citire carduri.
 - Când eliberarea s-a încheiat, ferestrele vor apărea pe pagina de setări.
 - Se acceptă doar cardul Mifare și cardul Mifare cu formă non-standard.
 - Până la 10000 de carduri pot fi emise și gestionate de stația ușă videointerfon seria V. Se poate auzi un indicator vocal (Nu mai pot fi emise carduri) atunci când numărul de carduri emise depășește limita superioară.

5 Deblocare ușă

După emiterea de carduri, puteți debloca ușa prezentând cardul emis.

Ποστώτασισ систем безопасности TELECAMERA.RU

ΕΛΛΗΝΙΚΑ

Αναφορές διαγράμματος

1 Εμφάνιση

- | | | | | |
|---|---|--|--|--|
| 1 Μικρόφωνο | 2 Κάμερα | 3 Ενδεικτική λυχνία | 4 Κουμπί | 5 Περιοχή ανάγνωσης καρτών |
| 6 Ηχείο | 7 Τερματικά | 8 Θύρα αντιμετώπισης σφαλμάτων | 9 ΠΑΡΑΠΟΙΗΣΗ | |
| 10 Βίδα στερέωσης | 11 Θύρα κάρτας TF | 12 Διασύνδεση δικτύου | | |

Σημείωση: Η θύρα αντιμετώπισης σφαλμάτων χρησιμοποιείται αποκλειστικά για αντιμετώπιση σφαλμάτων.

Περιγραφή ένδειξης			
Εκκλειδωμα: Πράσινο	Κλήση: Πορτοκαλί	Επικοινωνία: Λευκό	

2 Τερματικό και καλωδίωση

NC: Εξόδος αναμετάδοσης κλειδωμάτος πόρτας (NC)	AIN3: Για πρόσβαση σε Κουμπί Εξόδου
NO: Εξόδος αναμετάδοσης κλειδωμάτος πόρτας (NO)	AIN2 & AIN4: Κρατήθηκε
COM: Κοινή διαεπαφή	485-: Διαεπαφή RS-485 (Κρατήθηκε)
AIN1: Για πρόσβαση σε Επαφή πόρτας	485+: Διαεπαφή RS-485 (Κρατήθηκε)
	12 VDC IN: Εισοδος τροφοδοσίας
	GND: Γείωση

3 Βοήθημα εγκατάστασης

- | | |
|---|---|
| 1 Πρότυπο τοποθέτησης | 2 Πλακέτα τοποθέτησης |
|---|---|

Σημείωση: Οι διαστάσεις της πλακέτας τοποθέτησης είναι 102,58 mm × 39,24 mm × 6,2 mm.

4 Εγκατάσταση

Σημείωση: Ο σταθμός πόρτας βίλας ενδοεπικοινωνίας βίντεο υποστηρίζει εντοιχισμένη και επιφανειακή τοποθέτηση.

Πριν ξεκινήσετε:

- Βεβαιωθείτε ότι όλος ο σχετικός εξοπλισμός είναι απενεργοποιημένος κατά τη διάρκεια της εγκατάστασης.
- Εργαλεία που θα χρειαστείτε για την εγκατάσταση: Τρυπάνι (ø2,846) και αλφάδι.
- Αγοράστε την προστατευτική ασπίδα πριν από την εγκατάσταση.

★ Επιφανειακή τοποθέτηση χωρίς προστατευτική ασπίδα

- Κολλήστε το πρότυπο τοποθέτησης στον τοίχο. Ανοίξτε οπές βιδών σύμφωνα με το πρότυπο τοποθέτησης. Αφαίρεστε το πρότυπο από τον τοίχο.

- Αοφαλίστε την πλακέτα τοποθέτησης στον τοίχο με τις 4 παρεχόμενες βίδες, σύμφωνα με τις οπές βιδών.

- Τοποθετήστε τον σταθμό πόρτας βίλας στην πλακέτα τοποθέτησης. Στερεώστε τη συσκευή στην πλακέτα τοποθέτησης με τη βίδα στερέωσης.

★ Επιφανειακή τοποθέτηση με προστατευτική ασπίδα

- Κολλήστε το πρότυπο τοποθέτησης στον τοίχο. Ανοίξτε οπές βιδών σύμφωνα με το πρότυπο τοποθέτησης. Αφαίρεστε το πρότυπο από τον τοίχο.
- Ευθυγραμμίστε την προστατευτική ασπίδα με το πρότυπο τοποθέτησης.
- Αοφαλίστε την πλακέτα τοποθέτησης και την προσταευτική ασπίδα στον τοίχο με τις 4 παρεχόμενες βίδες, σύμφωνα με τις οπές βιδών.
- Τοποθετήστε τον σταθμό πόρτας βίλας στην πλακέτα τοποθέτησης. Στερεώστε τη συσκευή στην πλακέτα τοποθέτησης με τη βίδα στερέωσης.

5 Ρύθμιση παραμέτρων μέσω δικτύου

1 Ενεργοποίηση συσκευής μέσω δικτύου

Αρχικά θα πρέπει να ενεργοποιήσετε τη συσκευή, ορίζοντας έναν ισχυρό κωδικό πρόσβασης, προτού τη χρησιμοποιήσετε.

Οι προεπιλεγμένες παράμετροι του σταθμού πόρτας είναι οι εξής:

- Προεπιλεγμένη διεύθυνση IP: 192.0.0.65.
- Προεπιλεγμένος αρ. θύρας: 8000.
- Προεπιλεγμένο όνομα χρήστη: admin.
- 1. Ενεργοποιήστε τη συσκευή και συνδέστε τη στο δίκτυο.
- Πληκτρολογήστε τη διεύθυνση IP στη γραμμή διευθύνσεων του προγράμματος περιήγησης στο δίκτυο και κάντε κλικ στο Enter για να εισέλθετε στη σελίδα ενεργοποίησης.

Σημείωση: Ο υπολογιστής και η συσκευή πρέπει να ανήκουν στο ίδιο υποδίκτυο.

- Δημιουργήστε και πληκτρολογήστε έναν κωδικό πρόσβασης στο πεδίο κωδικού πρόσβασης.
- Επιβεβαιώστε τον κωδικό πρόσβασης.
- Κάντε κλικ στο OK για να ενεργοποιήσετε τη συσκευή.

Σημείωση: Όταν η συσκευή δεν είναι ενεργοποιημένη, δεν μπορούν να πραγματοποιηθούν η βασική λειτουργία και η απομακρυσμένη ρύθμιση παραμέτρων της συσκευής.

- Πρόσβαση στη συσκευή μέσω προγραμμάτων περιήγησης στο δίκτυο**
 - Στη γραμμή διευθύνσεων του προγράμματος περιήγησης, πληκτρολογήστε τη διεύθυνση IP της συσκευής και πατήστε το πλήκτρο Enter για να εισέλθετε στη σελίδα εισόδου.

- Πληκτρολογήστε το όνομα χρήστη και τον κωδικό πρόσβασης και κάντε κλικ στην επιλογή «Είσοδος».

3 Επικοινωνία με εσωτερικό σταθμό

Σημείωση: Ρυθμίστε τον αρ. δωματίου του εσωτερικού σταθμού, ο οποίος είναι συνδεδεμένος με τον σταθμό πόρτας βίλας. Για λεπτομέρειες, ανατρέξτε στο Εγχειρίδιο χρήσης Εσωτερικού σταθμού ενδοεπικοινωνίας βίντεο.

- Κάντε κλικ στο Ρυθμίσεις → Ενδοεπικοινωνία → Πατήστε το κουμπί για κλήση, για να εισέλθετε στη σελίδα ρυθμίσεων.
- Ορίστε τις παραμέτρους.
 - Επεξεργαστείτε τον αρ. κλήσης για κάθε κουμπί.
 - Επιλέξτε το Κέντρο διαχείρισης κλήσεων για να ορίσετε το κέντρο κλήσεων κουμπιών.
- Σημείωση: Εάν επιλέξετε το Κέντρο διαχείρισης κλήσεων και ορίσετε τον αρ. κλήσης, το κέντρο διαχείρισης κλήσεων θα έχει υψηλότερα προνομία από τον αρ. κλήσης.*
- Πατήστε το κουμπί για κλήση του εσωτερικού σταθμού.

4 Έκδοση κάρτας

- Κάντε κλικ στο Ρυθμίσεις → Έλεγχος πρόσβασης και Έλεγχος ανελκυστήρα για να εισέλθετε στην αντίστοιχη σελίδα ρυθμίσεων.
- Κάντε κλικ στην επιλογή «Έκδοση κάρτας». Προσκομίστε την κάρτα στην περιοχή ανάγνωσης καρτών.
- Όταν η έκδοση ολοκληρωθεί, εμφανίζονται αναδυόμενα παράθυρα στη σελίδα ρυθμίσεων.
 - Υποστηρίζονται μόνο κάρτες Mifare και προτείνονται κάρτες Mifare με μη τυπικό σχήμα.
 - Μπορούν να εκδοθούν και να υποβληθούν σε διαχείριση έως 10000 κάρτες από τον σταθμό πόρτας σειράς V. Μια φωνητική οδηγία (δεν είναι δυνατή η έκδοση άλλων καρτών) ακούγεται όταν η ποσότητα εκδοθεισών καρτών υπερβείται το ανώτατο όριο.

5 Ξεκλειδωμα πόρτας

Μετά από την έκδοση καρτών, μπορείτε να ξεκλειδώσετε την πόρτα προσκομίζοντας την εκδοθείσα κάρτα.

РУССКИЙ

Пояснения к рисункам

1 Внешний вид

- | | | | | |
|--|--|--|------------------------------------|---|
| 1 Микрофон | 2 Камера | 3 Индикатор | 4 Кнопка | 5 Область считывателя карты |
| 6 Динамик | 7 Разъемы | 8 Порт отладки | 9 ВЗЛОМ | |
| 10 Установочный винт | 11 Слот для карты TF | 12 сетевой интерфейс | | |

Примечание: порт отладки используется только для отладки.

Описание индикатора			
Открытие: зеленый	Вызов: оранжевый	Связь: белый	

2 Терминал и схема соединения

Ν3: выход реле дверного замка (нормально замкнутый)	AIN3: для доступа кнопки выхода
NO: выход реле дверного замка (нормально разомкнутый)	AIN2 и AIN4: зарезервировано
COM: общий интерфейс	485-: интерфейс RS-485 (зарезервировано)
AIN1: для доступа контакта двери	485+: интерфейс RS-485 (зарезервировано)
	12 VDC IN: входное электропитание
	GND: заземление

3 Вспомогательные инструменты для установки

- | | |
|--|--|
| 1 Монтажный шаблон | 2 Монтажная панель |
|--|--|

Примечание: Размер монтажной панели составляет 102,58 мм × 39,24 мм × 6,2 мм.

4 Установка

Примечание: для внешнего видеодомофона возможен скрытый и наружный монтаж.

Прежде чем начать:

- Проверьте, что все сопутствующее оборудование отключено во время установки.
- Инструменты, которые нужно подготовить для установки: Дрель (ø2,846) и градиометр.
- Приобретите защитный щиток перед установкой.