

Tiandy



TC-C32WP

Spec: I5W/E/Y/(M)/2.8mm(4mm)/V4.2

2MP Fixed Color Maker Bullet Camera

Lite Series



KEY FEATURES

- Default: Plastic, M: Metal Housing
- Up to 1920x1080@30fps
- S+265/H.265/H.264
- Min. illumination Color: 0.0008Lux@F1.6
- 2 Warm lights, 15~20m
- Smart IR, IR Range: 50m
- Support tripwire and perimeter
- Built-in Mic, SD Card Slot, Reset Button
- Operating Conditions -35°C~60°C, 0~95%RH
- POE, IP67



Tiandy Technologies Co.,Ltd.

Email: sales@tiandy.com Tel: +86-22-58596178
Website: en.tiandy.com Fax: +86-22-58596048



SPECIFICATIONS

Camera	
Image Sensor	1/2.8" CMOS
Signal System	PAL/NTSC
Min. Illumination	Color: 0.0008Lux@ (F1.6, AGC ON), 0Lux with LED on
Shutter Time	1s to 1/100,000s
Day & Night	Dual IR Cut Filter with Auto Switch
Wide Dynamic Range	Mechanical wide dynamics
Angle Adjustment	Bracket, pan 0~360°, tilt 0~75°, rotate 0~360°
Lens	
Lens Type	Fixed
Focus	2.8mm/4mm
Lens Mount	M12
Aperture	F1.6, Fixed
FOV	Horizontal field of view: 100.6° (2.8mm)/83.3° (4mm)
Illuminator	
IR LEDs	2
IR Range	50
Wavelength	850nm
White LEDs/Warmlights	2
Compression Standard	
Video Compression	S+265/H.265/H.264
Video Bit Rate	32Kbps~6Mbps
Audio Compression	G.711A/G.711U/ADPCM_D
Audio Bit Rate	8K~48Kbps
Image	
Max. Resolution	1920x1080
Main Stream	PAL: 25fps (1920x1080, 1280x720, 704x576, 640x480) NTSC: 30fps (1920x1080, 1280x720, 704x480, 640x480)
Sub Stream	PAL: 25fps (704x576, 704x288, 640x360, 352x288) NTSC: 30fps (704x480, 704x240, 640x360, 352x240)
Third Stream	N/A
Image Setting	Saturation, brightness, contrast, sharpness, adjustable by client software or web browser
Image Enhancement	BLC/3D DNR/HLC
ROI	8
OSD	16x16, 32x32, 48x48, adaptable size, Letters Such as Week, Date, Time, Total 3 Regions
Picture Overlay	N/A
Privacy Mask	Yes, 4 regions
Smart Defog	Yes
Feature	
Alarm Trigger	Motion Detection, Mask Alarm, IP Address Conflict
Video Analytics	Tripwire, Perimeter
Early Warning(EW)	N/A

Tiandy

Network	
ANR	N/A
Protocols	TCP/IP, HTTP, FTP, DHCP, DNS, DDNS, IPV4, NTP, UDP, Telnet, ICMP, RTP, RTSP, UPnP
System Compatibility	ONVIF (PROFILE S/T/G), SDK, P2P(Mutually exclusive with Profile G)
Remote Connection	≤7
Client	Easy7, EasyLive
Web Version	Web6
Interface	
Communication Interface	1 RJ45 10M/ 100M self adaptive Ethernet port
Audio I/O	Mic in
Alarm I/O	N/A
Reset Button	Yes
On-board storage	Built-in MicroSD card slot, up to 512 GB
General	
Firmware Version	-
Web Client Language	17 languages Chinese Simplified/English/Chinese Traditional/Spanish/Italian/Korean/Turkish/Russian/Thai Chinese/Polish/French/Dutch/Hebrew/Vietnamese/Arabic/German/Ukrainian
Operating Conditions	-35°C ~ 60°C, 0 ~ 95% RH
Power Supply	DC 12V±25%, PoE (802.3af)
Power Consumption	MAX: 6W (12V) MAX: 8W (PoE)
Protection	IP67, Lightning protection, surge protection and voltage transient protection meets EN 55035:2017
Heater	N/A
Dimensions	160.8×68×74.5mm (6.33×2.68×2.93inch)
Weight	Metal+Plastic: 0.3Kg (0.66lb) Metal: 0.47Kg (1.04lb)

* Listed resolutions are only selectable options. It does not mean that all streams can work at their maximum resolution at the same time.

AVAILABLE MODEL

TC-C32WP Spec: I5W/E/Y/2.8mm/V4.2

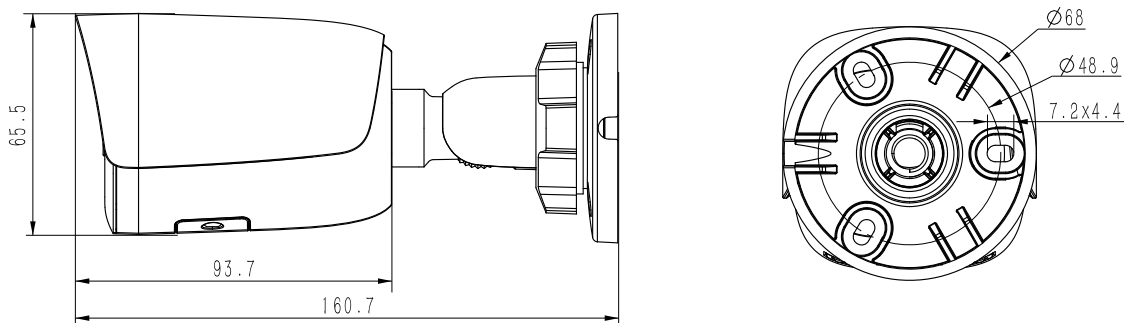
TC-C32WP Spec: I5W/E/Y/4mm/V4.2

TC-C32WP Spec: I5W/E/Y/M/2.8mm/V4.2

TC-C32WP Spec: I5W/E/Y/M/4mm/V4.2

Tiandy

DIMENSIONS (Unit: mm)



ACCESSORIES



A35
CORNER MOUNT



TC-P54BM SPEC: V5
JUNCTION BOX



A36
POLE MOUNT

DISTRIBUTED BY



Tiandy Technologies Co.,Ltd.

Email: sales@tiandy.com

Tel: +86-22-58596178

Website: en.tiandy.com

Fax: +86-22-58596048