



## About the Guide

- This quick start guide is for reference only. Minor difference might be found in user interface.
- All the design and software here are subject to change without prior written notice.
- All trademarks and registered trademarks mentioned are the properties of their respective owners.
- Please visit our website or contact your local service engineer for more information.
- If there is any uncertainty or controversy, please refer to our final explanation.

### Step 4

Wait for booting to be finished, and then the camera indicator flashes with green light.

### Step 5

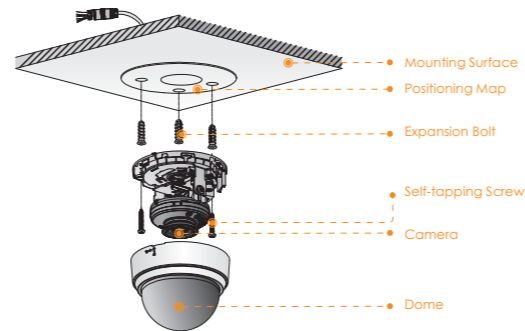
Connect your smart phone to your Wi-Fi network, and make sure your smartphone is connected to Wi-Fi network with 2.4 GHz band, and then do the following operations to finish adding camera.



- Note:**
- If you have more than one camera, do step 5 to add them one by one.
  - If the Wi-Fi network has changed or the indicator status goes wrong, reset the camera, and then do step 5 to add it again.

## Installing Camera

**Note:** Make sure the mounting surface is strong enough to hold at least three times of the device weight.



- Step1** Drill screw holes on the mounting surface as the positioning map shows, and then put in the expansion bolts.
- Step2** Attach the camera pedestal to the mounting surface with the self-tapping screws.
- Step3** Adjust the lens to the ideal angle, and then attach the dome to the camera.

## FAQ

### ► Q: The camera failed to boot up, or cannot operate normally?

Make sure the camera and your smartphone are connected to the Internet successfully. If still cannot work, please press and hold the reset button for 10s to reset the camera, then try again.

### ► Q: Cannot connect the camera to Internet with Imou App?

- Press and hold the reset button for 10s to reset the camera and try again.
- If still cannot work, please connect the camera to Wi-Fi network on web page, then add your camera to Imou account.

- Connect the camera to the PC with Ethernet cable, and set the PC IP to be the same network segment of camera which is 192.168.1.108 by default, then login to the web configuration page.
- Select Setting > Network > Wi-Fi, you will see all Wi-Fi signal around listed. Double-click your Wi-Fi name, enter the Wi-Fi password, and then click Connection.
- After camera is connected to Internet, unplug the Ethernet cable, and then follow the instruction of part "Operate with Imou App" to try again.

### ► Q: Camera is offline?

Please check the LED indicator status:

- If the green light is solid on, check whether your Wi-Fi router is successfully connected to Internet. If Internet is OK, please reboot your camera, or reset the camera to factory default and configure again.
- If the red light flashes slowly or solid on, reset the camera to factory default and configure again.

If still cannot work, we suggest you contacting the aftersales service.

### ► Q: Can I continue recording when the SD Card is full?

When the storage is full, the camera will overwrite the oldest existing records. We suggest you storing your important recordings regularly.

# Imou

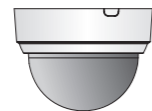
## Quick Start Guide

Version 1.0.1



1.2.51.32.14759-000

### Packing List



Camera x1



QSG x1



Power Adapter x1

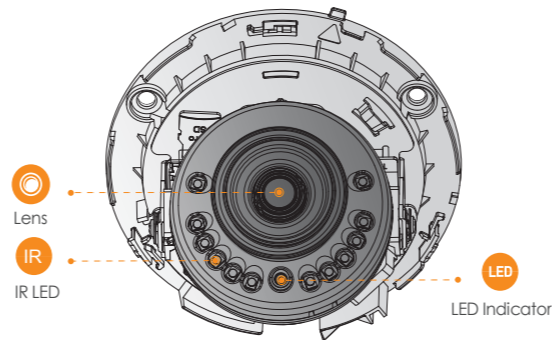


Screw Package x1



Positioning Map x1

### Camera Introduction



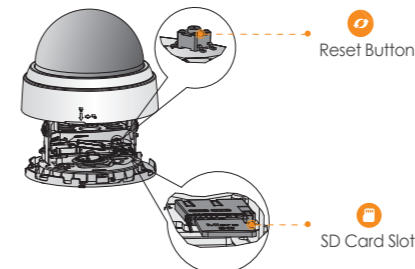
Lens



IR LED



LED Indicator



Reset Button



SD Card Slot

**Note:** Press and hold the reset button for 10 s to reset the camera.  
The pattern of the LED indicator is included in the following table.

LED Indicator Status	Device Status
Off	<ul style="list-style-type: none"> <li>Powered off/LED turned off</li> <li>Rebooting after reset</li> </ul>
Red light on	<ul style="list-style-type: none"> <li>Booting</li> <li>Device malfunction</li> </ul>
Green light flashing	Waiting for network
Green light on	Operating properly
Red light flashing	Network connection failed
Green and Red light flashing alternately	Firmware updating

### Operating With Imou App

#### Step 1

Scan the following QR code or search "Imou" in Google Play or App Store to download and install Imou App.



#### Step 2

Run Imou App, and then register an account for first use.

#### Step 3

Connect the camera to power source with the power adapter.