

ENGLISH

Diagram References

1 Appearance

- ① Screen
- ② Microphone
- ③ Debugging Port
- ④ Network Interface
- ⑤ Loudspeaker
- ⑥ TF Card Slot
- ⑦ Alarm Terminal
- ⑧ Reserved
- ⑨ Power Terminal

Note:  
 • The appearance of the device varies according to different models. Refers to the actual device for detailed information.  
 • The debugging port is used for debugging only.

2 Terminal and Wiring

There are 20 pins in the terminal on the rear panel of the indoor station: 2 RS-485 pins, 5 reserved pins, 4 relay output pins, 8 alarm input pins, and 1 GND pin.

Note: There are 20 pins in the terminal on the rear panel of the DS-KH6320-TE1: 11 reserved pins, 8 alarm input pins, and 1 GND pin. Please refer to the specific model.

3 Installation

It supports wall mounting. There are two installation modes.

Installation Accessory Description

The wall mounting plate and junction box are required to install the indoor station onto the wall.

The dimension of junction box should be 75 mm (width) × 75 mm (length) × 50 mm (depth). The dimension of wall mounting plate is shown.

Before You Start

- Make sure the device in the package is in good condition and all the assembly parts are included.
- The power supply the indoor station supports is 12 VDC. Please make sure your power supply matches your indoor station.
- Make sure all related equipments are power-off during the installation.
- Check the product specification for the installation environment.

★ Wall Mounting with junction Box

1. Chisel a hole in the wall. The size of the hole should be 76 mm (width) × 76 mm (length) × 50 mm (depth).
2. Insert the junction box to the hole chiseled on the wall.
3. Fix the wall mounting plate to the junction box with 2 screws.
4. Hook the indoor station to the wall mounting plate tightly by inserting the plate hooks into the slots on the rear panel of the indoor station, during which the lock catch will be locked automatically.

★ Wall Mounting without junction Box

1. Insert 2 expansion tubes into the wall.
2. Fix the wall mounting plate to the junction box with 2 screws.
3. Hook the indoor station to the wall mounting plate tightly by inserting the plate hooks into the slots on the rear panel of the indoor station, during which the lock catch will be locked automatically.

4 Getting Started

1 Activate Indoor Station

You are required to activate the device first by settings a strong password before you can use the device.

1. Power on the device. It will enter the activation page automatically.
2. Create a password and confirm it.
3. Tap OK to activate the indoor station.

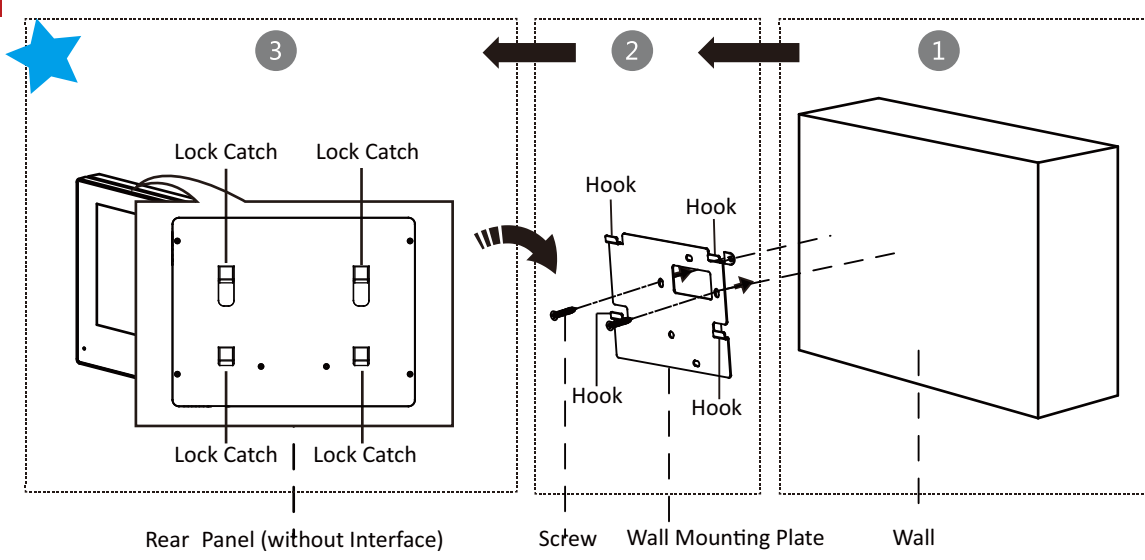
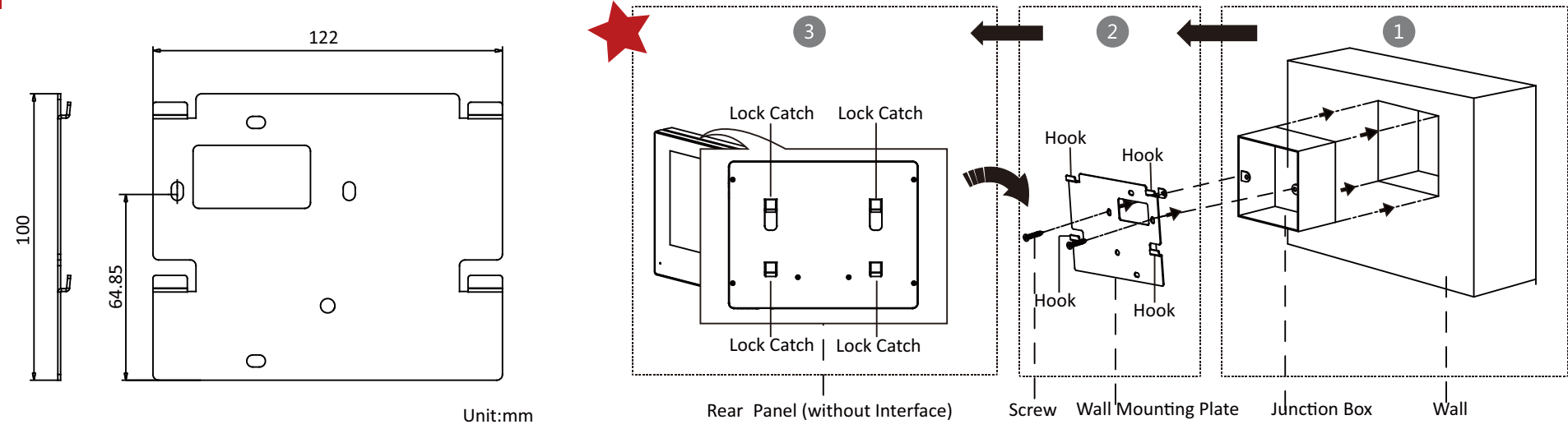
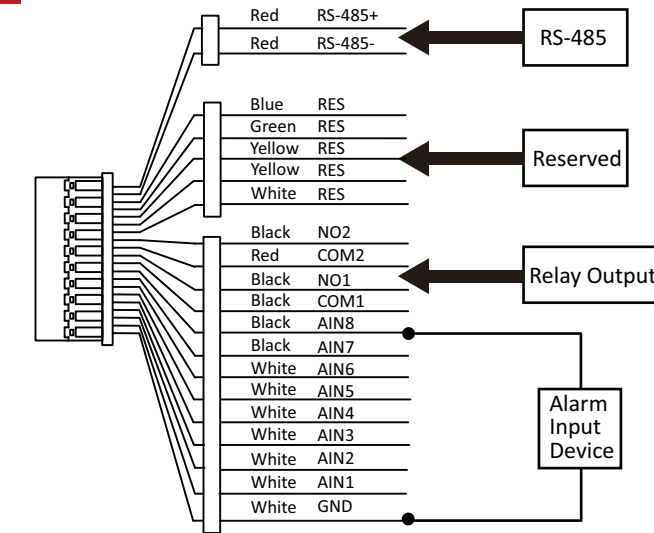
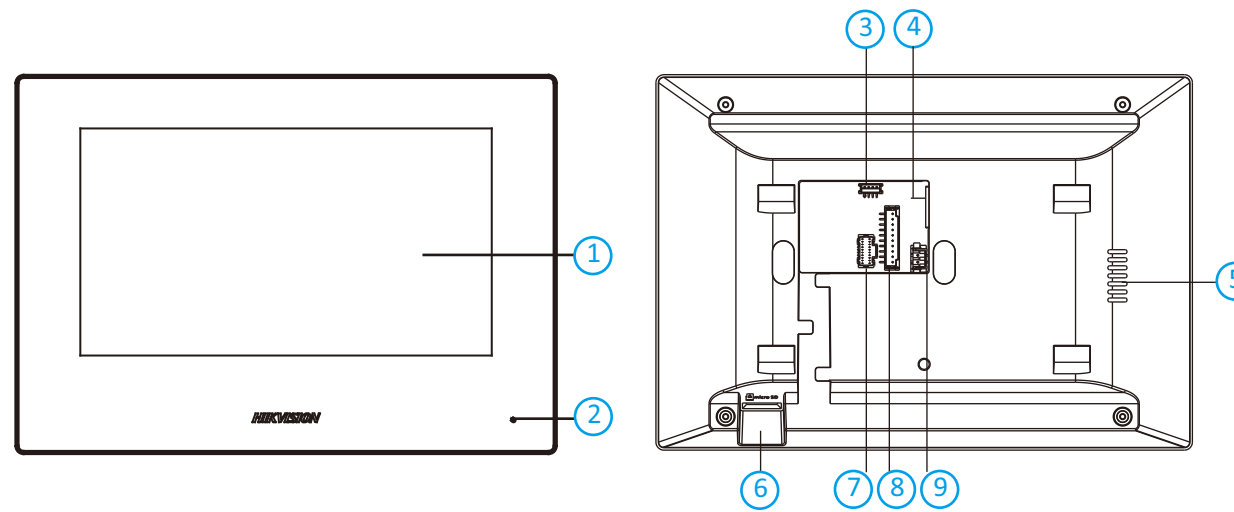
2 Quick Configuration

1. Choose Language and tap Next.
2. Set network parameters and tap Next.
  - Edit Local IP, Subnet Mask and Gateway parameters.
  - Enable DHCP, the device will get network parameters automatically.
3. Configure the indoor station parameters.
  - Select Indoor Station and tap Next to link main door station.
    - a. Edit Floor and Room No.
    - b. Create and confirm SIP register password.
  - c. Tap Advanced Settings to edit Community No, Building No. and Unit No.
  - d. Optional: Enable Indoor Station Settings and select the indoor station to link.
    - Select Indoor Extension and tap Next to link indoor station.
      - a. Edit No., Room Name.
      - b. Create and confirm SIP register password.

Note: If you want to add the indoor station to the door station, the SIP password of the indoor station should be the same as the registration password of the door station.

4. Linked related devices and tap Next. If the device and the indoor station are in the same LAN, the device will be displayed in the list. Tap the device or enter the serial No. to link.
  - a. Tap the settings icon to pop up the Network Settings page.
  - b. Edit the network parameters of the door station manually or enable DHCP to get the network parameters automatically.
  - e. Tap OK to save the settings.
5. Tap Finish to save the settings.

Refers to Video Intercom Network Indoor Station Configuration Guide (Scan the QR code) for details.  
 Refers to Video Intercom Network Indoor Station Operation Guide (Scan the QR code) for details.



Scan the QR code to get the Configuration Guide for detailed information.



Scan the QR code to get the Operation Guide for detailed information.



## FRANÇAIS

### Références du schéma

### 1 Apparence

- |                     |                |                        |
|---------------------|----------------|------------------------|
| ① Écran             | ② Microphone   | ③ Port de débogage     |
| ④ Interface réseau  | ⑤ Haut-parleur | ⑥ Fente de carte TF    |
| ⑦ Terminal d’alarme | ⑧ Réservé      | ⑨ Borne d’alimentation |

Remarque :

- L’aspect de l’appareil varie en fonction des différents modèles. Reportez-vous à l’appareil réel pour des informations détaillées.
- Le port de débogage est réservé uniquement à l’usage prévu.

### 2 Borne et câblage

Remarque : pour la description des bornes et du câblage, reportez-vous à la figure et au manuel de l'utilisateur.

### 3 Installation

*Avant de commencer*

- Assurez-vous que l'appareil dans son emballage est en bonne condition et que toutes les pièces de montage sont incluses.
- Assurez-vous que tous les équipements connexes sont hors tension pendant l’installation.
- Vérifiez que les spécifications du produit sont adéquates à l’environnement d’installation.

Remarque : pour l’installation, reportez-vous à la figure et au manuel d’utilisation.

### 4 Premiers pas

#### 1 Activer un appareil

Vous devrez d’abord activer l’appareil en définissant un mot de passe fort avant de pouvoir l’utiliser.

Activez l’appareil localement ou à distance via le logiciel client iVMS-4200.

#### 2 Configuration rapide

Suivez les instructions sur les interfaces correspondantes.

## DEUTSCH

### Verweise auf Schaubilder

### 1 Aufbau

- |                         |                |                       |
|-------------------------|----------------|-----------------------|
| ① Bildschirm            | ② Mikrofon     | ③ Debug-Anschluss     |
| ④ Netzwerkanschluss     | ⑤ Lautsprecher | ⑥ TF-Kartensteckplatz |
| ⑦ Alarm-Anschlussklemme | ⑧ Reserviert   | ⑨ Anschlussklemme     |

Hinweis:

- Das Erscheinungsbild des Geräts variiert je nach Modell. Für detaillierte Informationen siehe das tatsächliche Produkt.
- Der Debugging-Anschluss wird nur für die Fehlersuche verwendet.

### 2 Anschlüsse und Verkabelung

Hinweis: Beschreibungen der Anschlussklemmen und der Verdrahtung finden Sie in der Abbildung und im Benutzerhandbuch.

### 3 Installation

*Bevor Sie beginnen*

- Achten Sie darauf, dass sich das Gerät in der Verpackung in gutem Zustand befindet und alle Montageteile enthalten sind.
- Achten Sie darauf, dass alle relevanten Geräte während der Montage ausgeschaltet sind.
- Überprüfen Sie die Produktspezifikation für die Installationsumgebung.

Hinweis: Einzelheiten zur Installation finden Sie in der Abbildung und im Benutzerhandbuch.

### 4 Erste Schritte

#### 1 Gerät aktivieren

Bevor Sie das Gerät benutzen können, müssen Sie zunächst ein sicheres Passwort festlegen, um das Gerät zu aktivieren.

Aktivieren Sie das Gerät lokal oder aus der Ferne über die iVMS-4200-Clientsoftware.

#### 2 Schnellkonfiguration

Folgen Sie den Aufforderungen in den entsprechenden Menüs.

## ESPAÑOL

### Referencias del diagrama

### 1 Apariencia

- |                      |             |                          |
|----------------------|-------------|--------------------------|
| ① Pantalla           | ② Micrófono | ③ Puerto de depuración   |
| ④ Interfaz de red    | ⑤ Altavoz   | ⑥ Ranura para tarjeta TF |
| ⑦ Terminal de alarma | ⑧ Reservado | ⑨ Borne de alimentación  |

Nota:

- La apariencia del dispositivo varia en función del modelo. Consulte el dispositivo en concreto para más información.
- El puerto de depuración solo sirve para depurar.

### 2 Terminal y cableado

Nota: para las descripciones de los terminales y del cableado, consulte la figura y el manual de usuario.

### 3 Instalación

*Antes de comenzar*

- Asegúrese de que el dispositivo incluido esté en buenas condiciones y se incluyan todas las piezas de ensamblaje.
- Asegúrese de que todos los equipos relacionados estén apagados durante la instalación.
- Consulte las especificaciones del producto al realizar la instalación.

Nota: Nota: consulte las ilustraciones y el manual de usuario para conocer el procedimiento de instalación.

### 4 Primeros pasos

#### 1 Activar dispositivo

Antes de poder utilizar el dispositivo es necesario activarlo estableciendo una contraseña segura.

Active el dispositivo de forma local o a distancia mediante el software de cliente iVMS-4200.

#### 2 Configuración rápida

Siga los avisos de las interfaces correspondientes.

## Поставщик систем безопасности TELECAMERA.RU

## PORTUGUÊS

### Referências do diagrama

### 1 Aspeto

- |                      |               |                           |
|----------------------|---------------|---------------------------|
| ① Ecrã               | ② Microfone   | ③ Porta de depuração      |
| ④ Interface de rede  | ⑤ Altifalante | ⑥ Ranhura Para Cartão TF  |
| ⑦ Terminal de alarme | ⑧ Reservado   | ⑨ Terminal de alimentação |

Nota:

- O aspeto do dispositivo varia consoante o modelo. Consulte a documentação específica do dispositivo para obter informações detalhadas.
- A Porta de depuração destina-se apenas para fins de depuração.

### 2 Terminal e cablagem

Nota: Para as descrições de cablagem e dos terminais, consulte a figura e o manual do utilizador.

### 3 Instalação

*Antes de começar*

- Certifique-se de que o dispositivo na embalagem se encontra em boas condições e de que todas as peças de montagem estão incluídas.
- Certifique-se de que, durante a instalação, todo o equipamento relacionado se encontra desligado.

- Verifique a especificação do produto para o ambiente de instalação.

Nota: Para a instalação, consulte a figura e o Manual do Utilizador.

### 4 Introdução

#### 1 Ativar dispositivo

Antes de poder utilizar o dispositivo, é necessário ativá-lo primeiro, definindo uma palavra-passe segura.

Ative localmente o dispositivo ou remotamente através do software de cliente iVMS-4200.

#### 2 Configuração rápida

Siga as mensagens apresentadas nas interfaces correspondentes.

## NEDERLANDS

### Schemareferenties

### 1 Uiterlijk

- |                    |                |                       |
|--------------------|----------------|-----------------------|
| ① Scherm           | ② Microfoon    | ③ Poort voor debuggen |
| ④ Netwerkinterface | ⑤ Luidspreker  | ⑥ Sleuf TF-kaart      |
| ⑦ Alarmaansluiting | ⑧ Gereserveerd | ⑨ Aansluiting voeding |

Opmerking:

- Het uiterlijk van het apparaat varieert per model. Raadpleeg het daadwerkelijke apparaat voor meer informatie.
- De foutopsporingspoort wordt alleen gebruikt voor foutopsporing.

### 2 Aansluitingen en bedrading

Opmerking: Raadpleeg voor een beschrijving van de aansluiting en bedrading de afbeelding en de gebruikershandleiding.

### 3 Installatie

*Voordat u begint*

- Zorg dat het verpakte apparaat zich in goede staat bevindt en er geen onderdelen ontbreken.
- Zorg dat alle bijbehorende apparatuur tijdens de installatie is uitgeschakeld.
- Controleer de productspecificatie op geschiktheid in de installatieomgeving.

Opmerking: Raadpleeg voor installatie de afbeeldingen en de gebruikershandleiding.

### 4 Aan de slag

#### 1 Apparaat activeren

U dient het apparaat voor gebruik eerst te activeren door er een sterk wachtwoord voor in te stellen.

Schakel het apparaat ter plekke of op afstand in m.b.v. iVMS-4200-clientsoftware.

#### 2 Snelle configuratie

Volg de aanwijzingen op desbetreffende interfaces.

## ITALIANO

### Riferimento schemi

### 1 Aspetto

- |                        |                |                              |
|------------------------|----------------|------------------------------|
| ① Schermo              | ② Microfono    | ③ Porta di debugging         |
| ④ Interfaccia di rete  | ⑤ Altoparlante | ⑥ Slot per scheda TF         |
| ⑦ Terminale di allarme | ⑧ Riservato    | ⑨ Terminale di alimentazione |

Nota:

- L’aspetto del dispositivo varia in base al modello. Per informazioni dettagliate, fare riferimento al dispositivo effettivo.
- La porta si usa solo per attività di debugging.

### 2 Terminale e cablaggio

Nota: per la descrizione del cablaggio e dei terminali, fare riferimento alla figura e al Manuale dell’utente.

### 3 Installazione

*Prima di iniziare*

- Verificare il dispositivo contenuto nella confezione sia in buone condizioni e che tutti gli elementi di assemblaggio siano presenti.
- Verificare che durante l’installazione tutte apparecchiature correlate siano spente.
- Controllare che le specifiche del prodotto corrispondano a quelle dell’ambiente di installazione.

Nota: Per l’installazione, fare riferimento alla figura e al Manuale dell’utente.

### 4 Operazioni preliminari

#### 1 Attiva dispositivo

Prima di utilizzare il dispositivo è necessario attivarlo impostando una password sicura.

Attivare il dispositivo localmente o da remoto tramite il software client iVMS-4200.

#### 2 Configurazione rapida

Seguire le indicazioni sulle interfacce corrispondenti.

## DANSK

### Diagramoversigt

### 1 Beskrivelse

- |                 |              |                        |
|-----------------|--------------|------------------------|
| ① Skærm         | ② Mikrofon   | ③ Port til fejlfinding |
| ④ Netværksstik  | ⑤ Højtaler   | ⑥ TF-kortplads         |
| ⑦ Alarmterminal | ⑧ Reserveret | ⑨ Strømterminal        |

Bemærk:

- Enhedens udseende varierer i henhold til forskellige modeller. Se den faktiske enhed for nærmere oplysninger.
- Fejlfindingsporten bruges kun til fejlfinding.

### 2 Terminal og ledningsføring

Bemærk: Find beskrivelse af terminaler og ledningsføring i figuren og brugervejledningen.

### 3 Installation

*Før du starter*

- Kontrollér, at enheden i pakken er i god tilstand, og at alle dele til samling medfølger.
- Kontrollér, at alt tilknyttet udstyr er slukket under installationen.
- Kontrollér produktspecifikationerne for installationsmiljøet.

Bemærk: Find oplysninger om installationen i figuren og brugervejledningen.

### 4 Kom godt i gang

#### 1 Aktivér enhed

Du skal først aktivere enheden ved at indstille en stærk adgangskode, før du kan anvende enheden.

Aktivér enheden lokalt eller via fjernadgang via iVMS-4200-klientsoftware.

#### 2 Hurtig konfiguration

Følg talevejledningen på de tilsvarende skærme.

## Поставщик систем безопасности TELECAMERA.RU



