

# DH-PFA10C

## Mount Adapter



- Aluminum alloy material
- Matched with particular cameras, beautiful and elegant designed



### Scene

Suitable for camera mounting with operating temperature from  $-40^{\circ}\text{C}$  to  $+60^{\circ}\text{C}$  ( $-40^{\circ}\text{F}$  to  $+140^{\circ}\text{F}$ ) and relative humidity less than 90%.

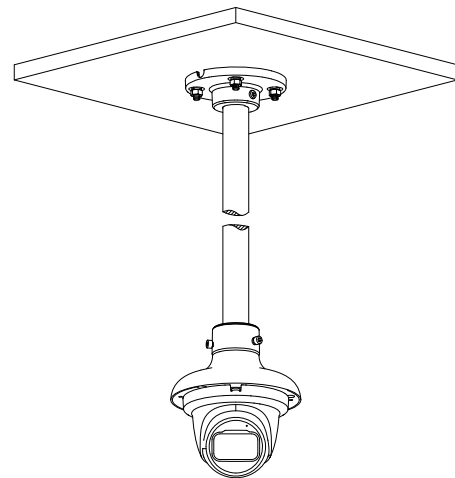
### Technical Specification

Model	DH-PFA10C
Material	Aluminum alloy
Dimensions	166.0 mm $\times$ 166.0 mm $\times$ 83.5 mm (6.53" $\times$ 6.53" $\times$ 3.29") (L $\times$ W $\times$ H)
Weight	0.43 kg (0.95 lb)
Load Bearing	3.0 kg (6.61 lb)
Operating Temperature	$-40^{\circ}\text{C}$ to $+60^{\circ}\text{C}$ ( $-40^{\circ}\text{F}$ to $+140^{\circ}\text{F}$ )
Operating Humidity	<90% (RH)
Color	White
Applicable Camera	Please see "Accessory Selection"

### Ordering Information

Type	Model	Description
Camera Mount	DH-PFA10C	Mount Adapter

### Installation



### Dimensions (mm[inch])

