

QNE-8011R

5M H.265 NW IR Flateye Camera



Key Features

- Max. 5Megapixel (2592 x 1944) resolution
- 2.8mm fixed lens
- 0.15Lux (Color), 0Lux (B/W, IR LED on)
- Max. 30fps@5MP (H.265 / H.264)
- H.265, H.264, MJPEG codec support, Multiple streaming
- Day & Night, WDR (120dB)
- Tampering, Motion detection, Defocus detection
- Micro SD / SDHC / SDXC memory slot (Max. 128GB)
- Hallway view, WiseStream II support
- IR Viewable length 20m
- LDC, PoE

Accessories (Optional)



SBP-125WMW



SBV-125BW



SBP-300WMW1



SBP-300CMW



SBP-300PMW



SBP-300KMW



SBP-300LMW



SBP-300NBW



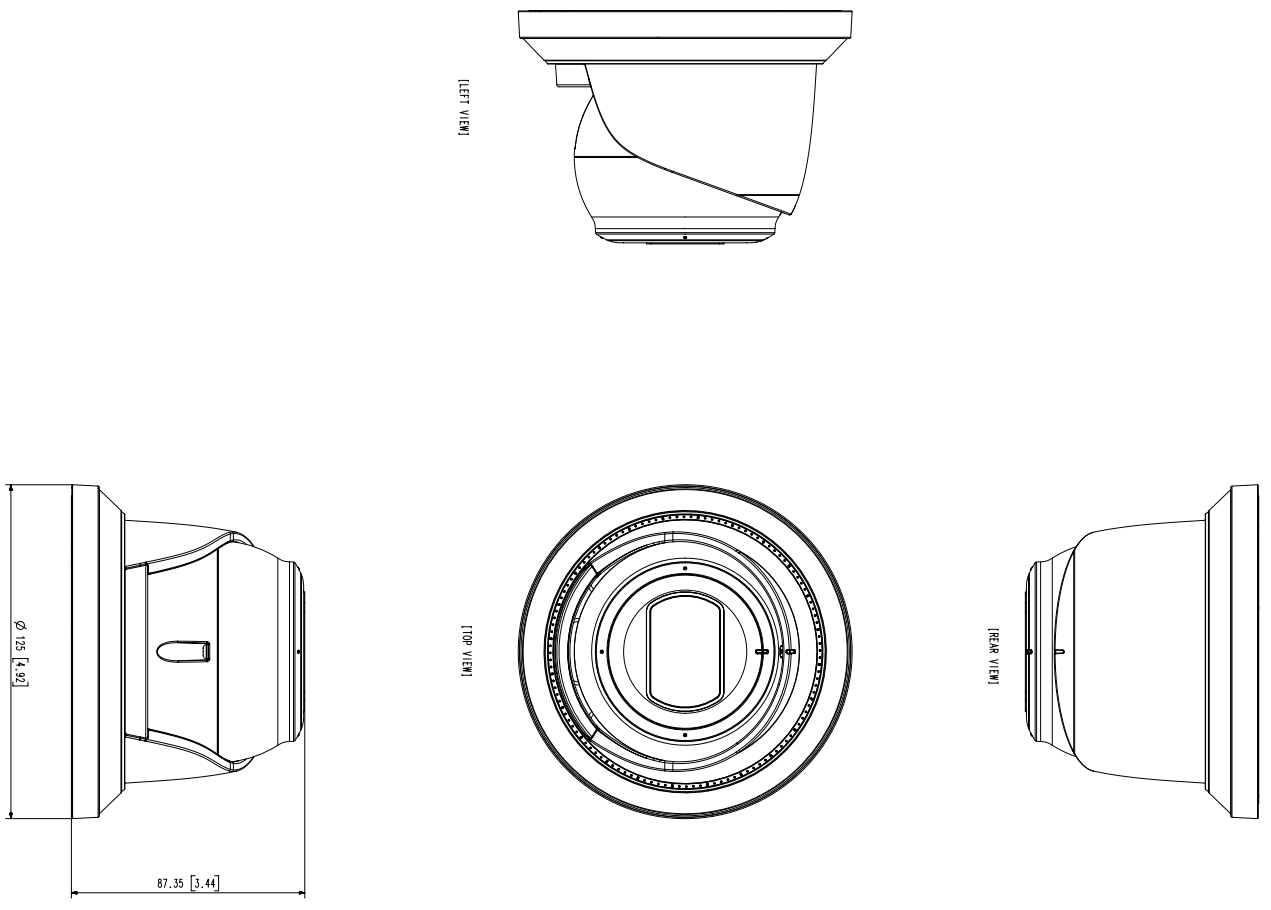
SBP-300BW

Video	
Imaging Device	1/2.8" 5MP CMOS
Effective Pixels	2592(H)x1944(V)
Pan / Tilt / Rotate	
Pan / Tilt / Rotate Range	0°~350° / 0°~75° / 0°~360°
Operational	
IR Viewable Length	20m(65.62ft)
Camera Title	Displayed up to 85 characters
Day & Night	Auto(Electrical)
Backlight Compensation	BLC, WDR, SDR
Wide Dynamic Range	120dB
Digital Noise Reduction	SSNR
Motion Detection	4ea, polygonal zones
Privacy Masking	6ea, rectangular zones
Gain Control	Low / Middle / High
White Balance	ATW / AWC / Manual / Indoor / Outdoor
LDC	Support
Electronic Shutter Speed	Minimum / Maximum / Anti flicker (1/5~1/12,000sec)
Video Rotation	Flip, Mirror, Hallway view(90°/270°)
Analytics	Defocus detection, Motion detection, Tampering
Business Intelligence	People counting
Alarm Triggers	Analytics, Network disconnect
Alarm Events	File upload via FTP and e-mail Notification via e-mail SD/SDHC/SDXC or NAS recording at event triggers
Network	
Ethernet	RJ-45(10/100BASE-T)
Video Compression	H.265/H.264: Main/High, MJPEG
Resolution	2592x1944, 1920x1080, 1280x960, 1280x720, 800x600, 800x448, 720x576, 720x480, 640x480, 640x360
Max. Framerate	H.265/H.264: Max. 30fps/25fps(60Hz/50Hz) MJPEG: Max. 15fps/12fps(60Hz/50Hz)
Smart Codec	WiseStream II
Bitrate Control	H.264/H.265: CBR or VBR MJPEG: VBR
Streaming	Unicast(6 users) / Multicast Multiple streaming(Up to 3 profiles)
Protocol	IPv4, IPv6, TCP/IP, UDP/IP, RTP(UDP), RTP(TCP), RTCP, RTSP, NTP, HTTP, HTTPS, SSL/TLS, DHCP, FTP, SMTP, ICMP, IGMP, SNMPv1/v2c/v3(MIB-2), ARP, DNS, DDNS, QoS, UPnP, Bonjour, LLDP
Security	HTTPS(SSL) Login Authentication Digest Login Authentication IP Address Filtering User access log 802.1X Authentication(EAP-TLS, EAP-LEAP)
Edge Storage	Micro SD/SDHC/SDXC 1slot 128GB

Application Programming Interface	ONVIF Profile S/G/T SUNAPI(HTTP API) Wisenet open platform
Web Viewer	Supported OS: Windows 7, 8.1, 10, Mac OSx10.12, 10.13, 10.14 Recommended Browser: Google Chrome Supported Browser: MS Explore11, MS Edge, Mozilla Firefox(Window 64bit only), Apple Safari(Mac OSxonly)
Memory	512MB RAM, 256MB Flash
Environmental	
Operating Temperature / Humidity	-30°C ~ +55°C(-22°F ~ +131°F) / Less than 90% RH * Start up should be done at above -20°C
Storage Temperature / Humidity	-30°C ~ +60°C(-22°F ~ +140°F) / Less than 90% RH
Certification	IP67, IK10
Electrical	
Input Voltage	PoE(IEEE802.3af, Class3)
Power Consumption	PoE: Max 7.40W, typical 5.50W
Mechanical	
Color / Material	White / Aluminum
RAL Code	RAL9003
Product dimensions / weight	Ø125.0x87.4mm(Ø4.92x3.44"), 645g(1.422 lb)
DORI	
Detect (25PPM/ 8PPF)	40.2m(131.91ft)
Observe (63PPM/ 19PPF)	16.1m(52.76ft)
Recognize (125PPM/ 38PPF)	8.0m(26.38ft)
Identify (250PPM/ 76PPF)	4.0m(13.19ft)

- The latest product information / specification can be found at hanwha-security.com
- Design and specifications are subject to change without notice.
- Wisenet is the proprietary brand of Hanwha Techwin, formerly known as Samsung Techwin.

A1
CHANGE



• Dimension Unit : mm [inch]

UNIT	MM	DESIGN	CHECK	APPROVAL	PART NAME
SCALE	1/1	CH01_R.S		CH01_Y.S	APPEARANCE_QNE-801R
		19.04.08		19.04.08	QNE-801LR/QNE-802LR
					CODE NO.
					QNE-801LR/QNE-802LR

NO	PART NAME	CODE NO.	MATERIAL	QTY	REMARK
1	ASSY-TOTAL_QNE-801LR_Y1	000001		1	