

DH-PFB310W

Integration Bracket of PTZ Camera



Features

- Neat & Integrated design, wall-mount.
- Material: Aluminum.
- Come with a junction box at the bottom of the bracket, there are two out-holes (G3/4) designed at the bottom, which is convenient for cable hiding and wiring.
- Safety rope hook attached, secure and reliable.
- Snap-in type, easy installation by snap locking the two parts together.
- Its Load Bearing is 8.0kg, compatible with most of our PTZ cameras.

Camera Mount Series | DH-PFB310W

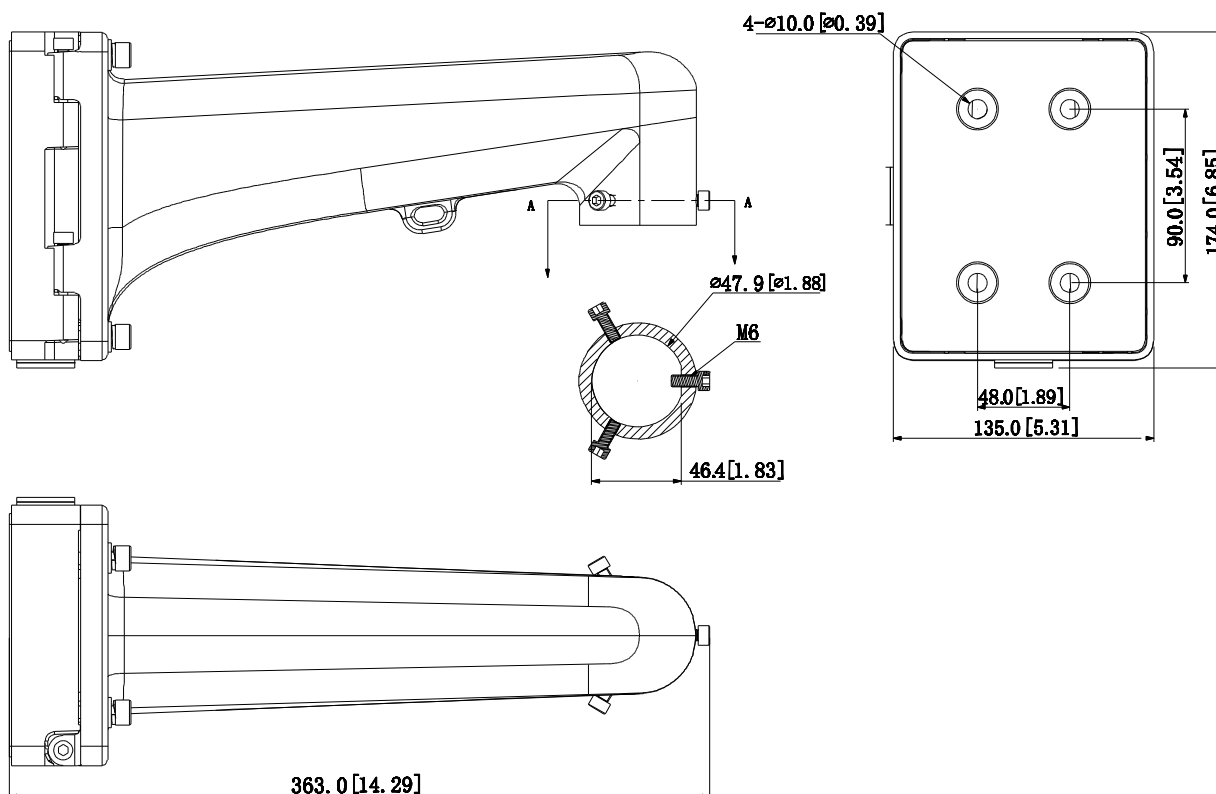
Technical Specifications

Model	DH-PFB310W
General	
Material	Aluminum
Dimension (W x H x D)	363mmx174mmx135mm(14.29"x6.85"x5.31")
Weight	2.0kg(4.41lb)
Load Bearing	8.0kg(17.64lb)
Color	White
Operating Temperature	-40°C ~60°C(-40°F ~140°F)
Humidity	0~90% RH

Order Information

Type	Part Number	Description
Camera mount	DH-PFB310W	Integration Bracket of PTZ Camera _ Dahua brand
	PFB310W	Integration Bracket of PTZ Camera _ Neutral, no brand

Dimensions (mm/inch)



Camera Mount Series | DH-PFB310W

Application



Package Information

- Integration Bracket *1
- Application manual *1
- Wrench *2

Package data	
Box Dimension	393mmx212mmx180mm (15.47"x8.35"x7.09")
Box Weight	2.5kg (5.51lb)
Protective Box Dimension	662mmx412mmx393mm (26.06"x16.22"x15.47")
Box In Protective Box	6 In 1