



YLI ELECTRONIC

# ANSI standard Heavy Duty Electric Strike W/Signal

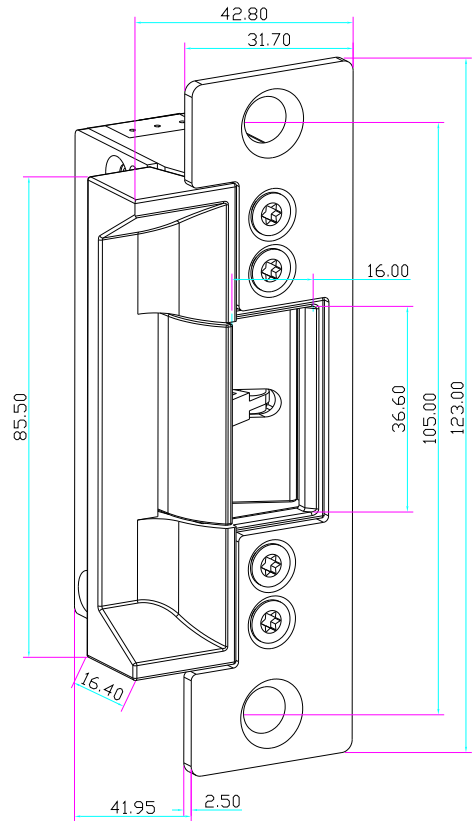
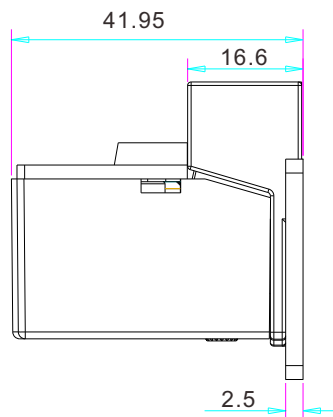
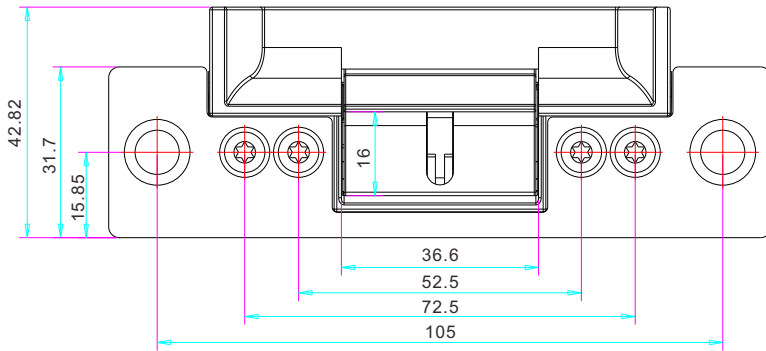
Model:YS-136NO/NC-S



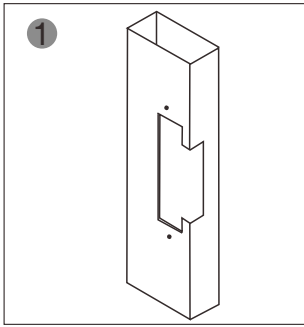
## Specification

<b>Lock size</b>	123Lx43Wx42H(mm)
<b>Voltage</b>	12VDC(24VDCneed order)
<b>Current</b>	320mA
<b>Face plate</b>	304 stainless steel force structure
<b>Lock</b>	Zinc alloy(baking varnish by high temperature)
<b>Signal output</b>	Lock status output NO/NC/COM
<b>Feature</b>	Fail secure / Fail safe(NO & NC adjustment)
<b>Suitable For</b>	Wooden Door, Metal Door, PVC Door
<b>Weight</b>	0.34kg

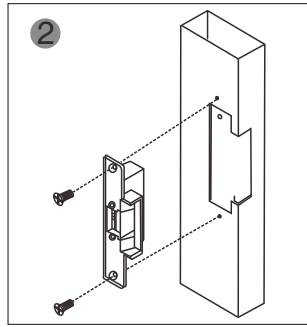
## Diagram(unit:mm)



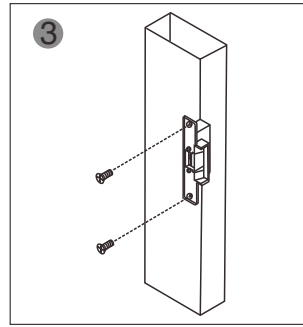
## Installation



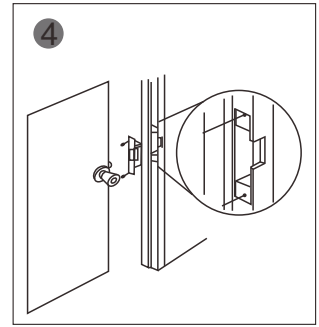
1 Cut hole according to the dimension of strike.



2 Assemble the lock and connect it to the power to test

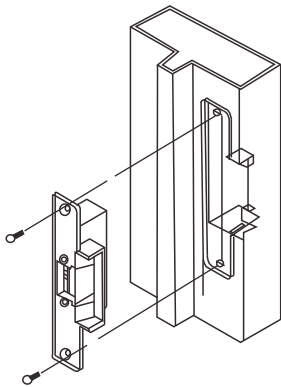


3 Fix the electric strike

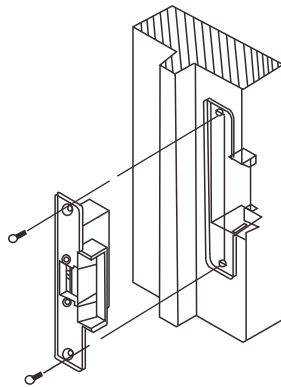


4 Finished

## Suitable for



Metal Door Frame



Wooden Door Frame

+	⊗	Red	Positive
-	⊗	Black	Negative
NC	⊗	Yellow	Door Status output
COM	⊗	White	N.C. contact output : open status
NO	⊗	Green	N.O. contact output : closed status
NC	⊗	Brown	Lock Status output
COM	⊗	Gary	N.O. contact output : open status
NO	⊗	Blue	N.C. contact output : closed status

## Wire connection

