



# GC150

Fingerprint & RFID Access Control  
and Time & Attendance Terminal



WiFi



Battery

GC150 is the new generation colorful fingerprint time & attendance and access control terminal for easy and flexible operation. GC150 houses color LCD that is easy to understand and self-explanatory. The terminal also equips with Anviz latest waterproof and dust-proof fingerprint sensor and core BioNANO<sup>®</sup> algorithm. The optional Wi-Fi and battery features let GC150 has higher flexible installation options. A standard EM card or an optional mifare card module is also equipped with the terminal. The rich access control interfaces let the terminal realize easy directly lock control.

# GC150

## Fingerprint & RFID Access Control and Time & Attendance

### Features



**32-bit High Speed CPU**  
Realizes low power consumption and high efficiency



**Optional Battery**  
The long life battery ensuring up to 10 hours portable application.



**Optional WIFI**  
The WiFi function ensures power on to work, and realize the flexible installation of the device.



**Physical Keypad**  
The big physical keypad ensures the best user experiences and easily to use for all people around the world

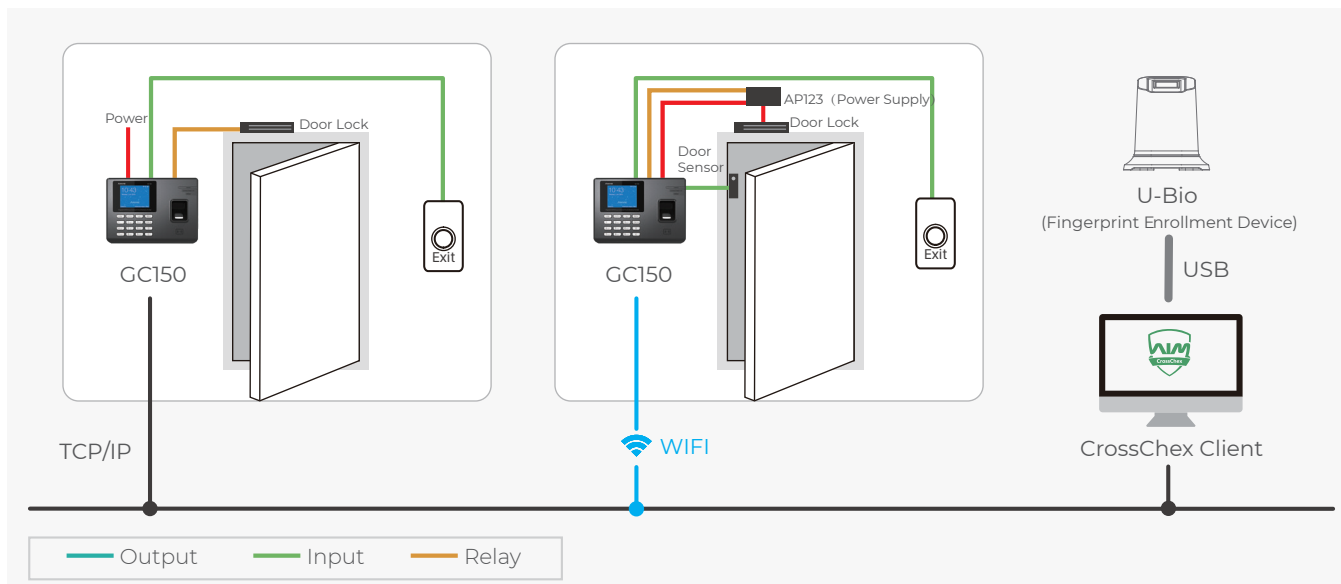


**Colorful LCD Screen**  
The Colorful LCD screen ensures the best interaction and user experiences and can also provide clear notifications to the users.

### Key Specifications

CPU	32-bit Processor
User	1,000
Card	1,000
Record	100,000
Communication	TCP/IP, RS485, Mini USB, Wi-Fi
Card Reading Distance	1~5cm ( 125KHz), 13.56MHz >2CM ) for standard CR80 card
Identification Mode	Finger, Password, Card(standard EM, Optional mifare)
RFID card	Standard EM, Optional mifare
Working Temperature	-30°C~60°C
Humidity	20% to 90%
Power	DC12V/Optional 2600MAH battery

### System configurations



### Anviz Global Inc.

41656 Christy Street Fremont, Fremont, CA, 94538  
Tel: 1-510-573-6552 | Toll-free: 1-855-268-4948 | [sales@anziv.com](mailto:sales@anziv.com) | [www.anviz.com](http://www.anviz.com)

©2020 Anviz Global Inc. Anviz and identifying product names and numbers herein are registered trademarks of Anviz Global Inc. All non-Anviz brands and product names are trademarks or registered trademarks of their respective companies. Product appearance, build status and/or specifications are subject to change without notice.

Due to the consistent improvement of the product, this specification and appearance are subject to change without notice.