

Smart Lock Installation V1.0.0

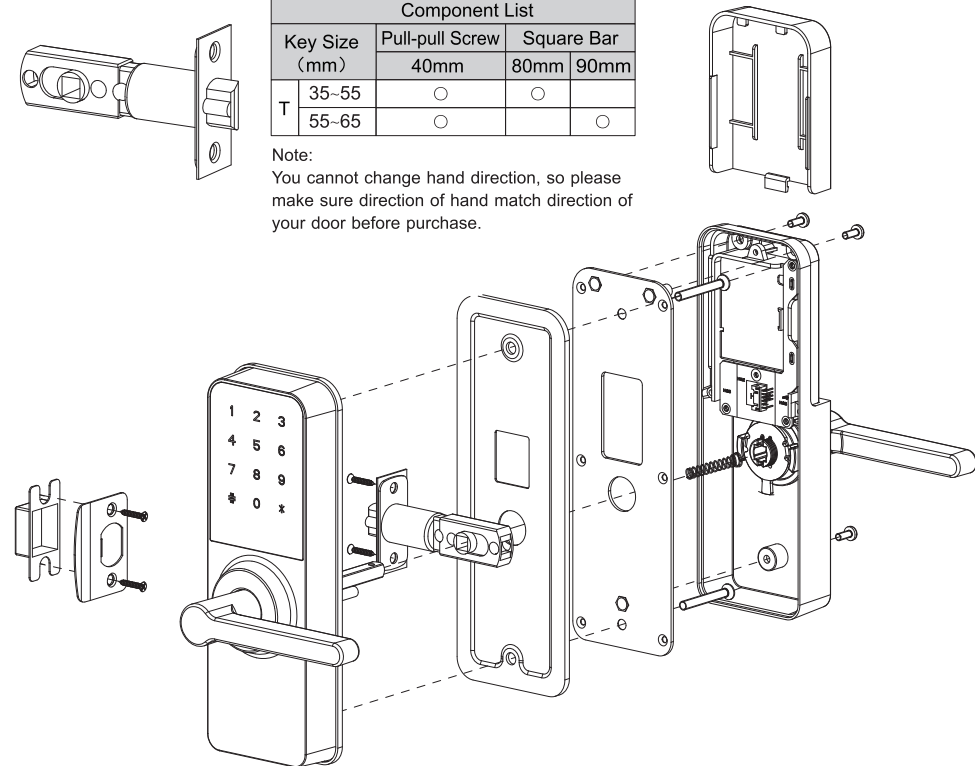
I Installation Map

Note: Door opens outward from right

Component List			
Key Size (mm)	Pull-pull Screw		Square Bar
	40mm	80mm	90mm
T	35-55	○	○
	55-65	○	○

Note:

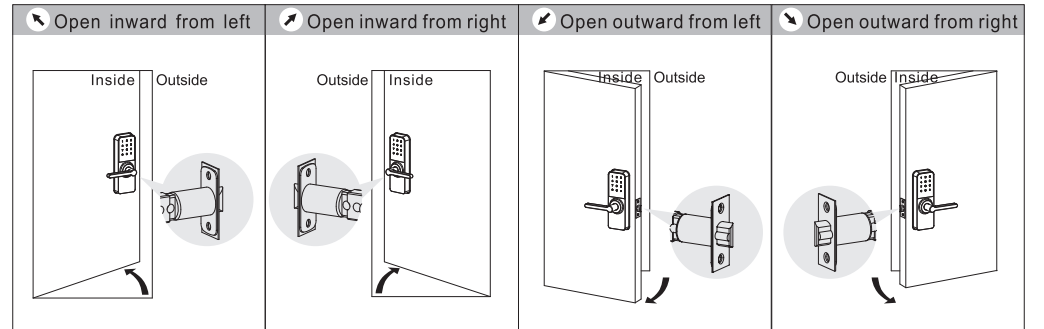
You cannot change hand direction, so please make sure direction of hand match direction of your door before purchase.



II Component List

a External panel	b External silicone pad	c Internal panel	d Internal silicone pad	e Internal panel	f Latchbolt	g L-type wrench	h Spring
				i Pull-pull screw			
				j M5*10 or ST4.2*16			
				k User' manual			
				m Open hole Map			
				n Card			
				o Key			
				p Square Bar			

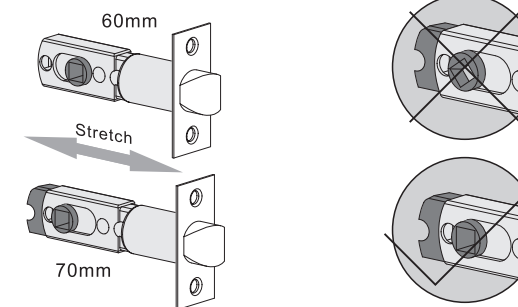
III Environment of Installation



IV Change Lock Direction

Note: Door opens outward from right and then inward from right.

Change Direction

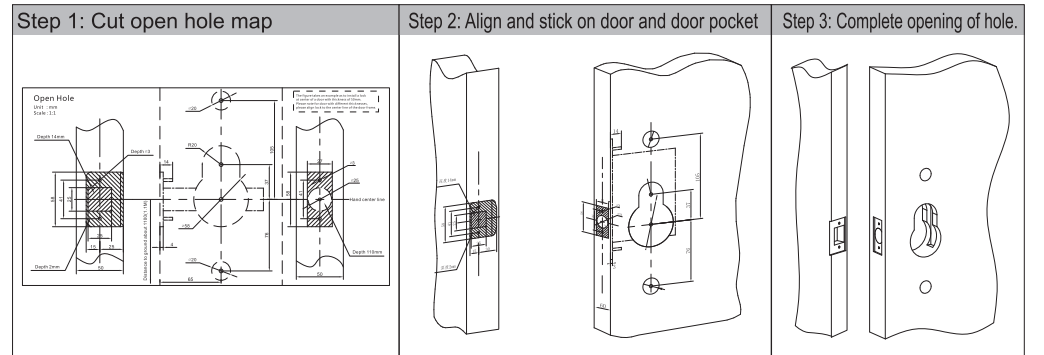


Installation Steps

Cylinder backset distance is 60mm or 70mm switchable. Please follow the above instructions to stretch cylinder and DO NOT incline the square hole.

V Open Hole Square

Note: Door opens outward from right.



Installation of Lock

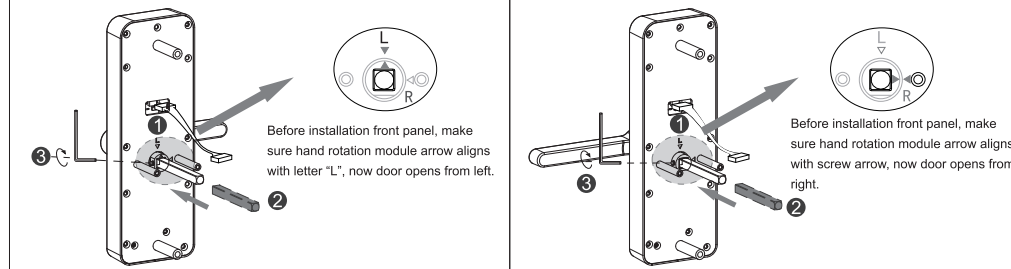
Note: Door opens outward from right.

Installation Map	Steps	Completion Status
	<ol style="list-style-type: none"> Fix lock inside door via screw o. <p>Note: Confirm unlock function.</p> <ol style="list-style-type: none"> Fix buckle and buckle box on door frame via screw o. 	

Change Square Bar

Change square bar when open door from right

Change square bar when open door from right



Steps

- Make sure arrow of square bar rotation module match actual hand direction.
- Before installation, select square bar r in accordance with door thickness.
- Insert square bar r into rotation module, and use no. i L-type wrench to fix square bar at rotation module.

Install External Panel

Note: Door opens outward from right.

Installation Map	Steps	Completion Status
	<ol style="list-style-type: none"> Paste no.b silicone pad on external panel base, and aim square bar at hand hold of the lock, insert into hole. Paste no.b silicone pad on internal panel base, and lean external panel against door. Insert 20PIN plug through internal panel base. Fix external panel and internal panel base on the door with screw n. 	

Install Internal Panel

Note: Door opens outward from right.

Installation Map	Steps	Completion Status
	<ol style="list-style-type: none"> Insert 20PIN plug into slot under battery box. Place spring m into internal panel hand hole (big end toward inside), install hand facing square bar. With screw p fix internal panel at internal panel base. 	

Confirmation

After installation, open door and check if the following items are correct:

- If battery model is 4 AA 1.5V alkaline, if installation direction matches standard in box.
- After you install battery, whether buttons light up.
- Lift internal panel handle, bolt can be ejected. Press to return bolt and latch bolt.
- Lift external panel handle, bolt can be ejected, press it to idle, cannot return bolt and latch bolt.
- At external base insert mechanical key and twist, meanwhile press external handle to return bolt and latch bolt.
- Close door, lift handle and bolt ejects as normal.
- All screws are fastened.
- Power on to enable touch panel (make palm touch screen and slowly slide), button light up, enter initial password (123456+#) following prompt, press external panel hand to return bolt and latch bolt.
- If door cannot be pushed after closed.
- Please keep a spare key with you for emergency need.



Zhejiang Dahua Vision Technology CO.,LTD.

Address : No.1199 Bin' an Road, Binjiang District, Hangzhou, China
 Postcode: 310053
 Tel: +86-571-87688883
 Fax: +86-571-87688815
 Email:overseas@dahuatech.com
 Website: http://www.dahuasecurity.com