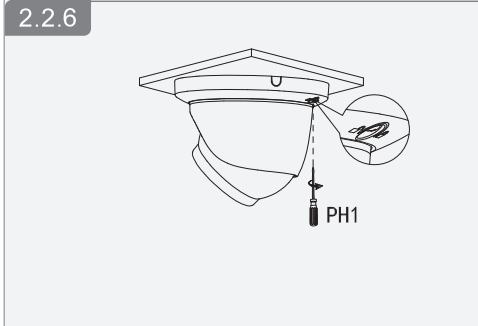
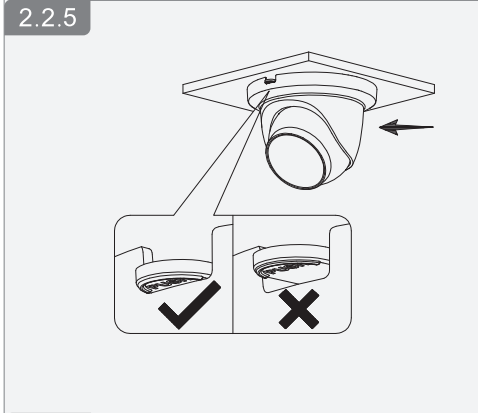
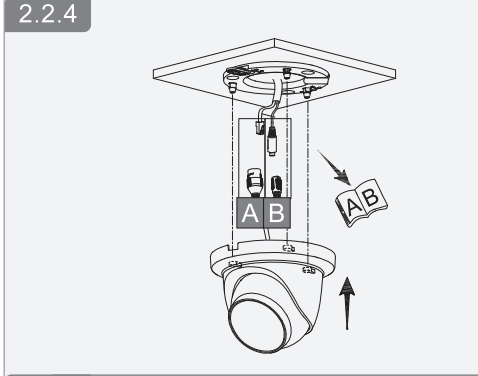
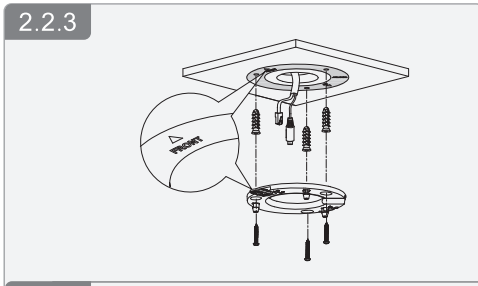
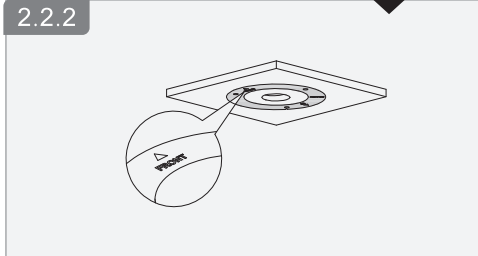
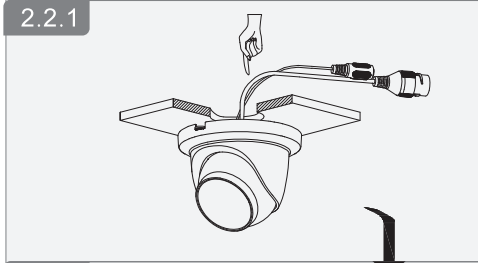
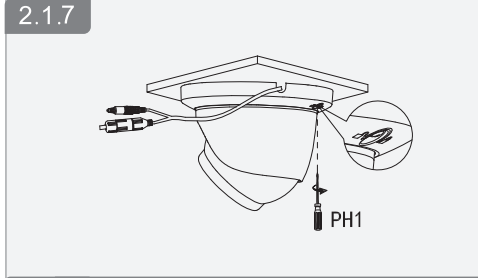
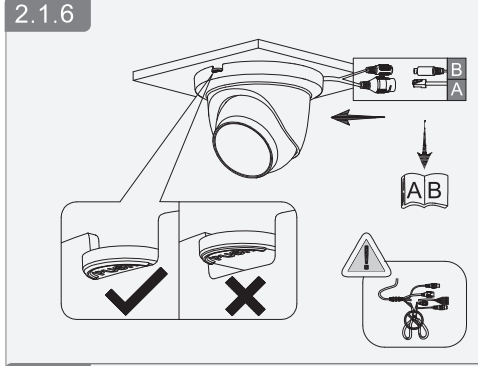
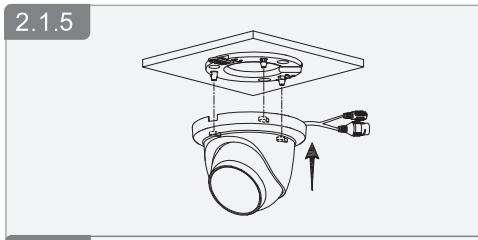
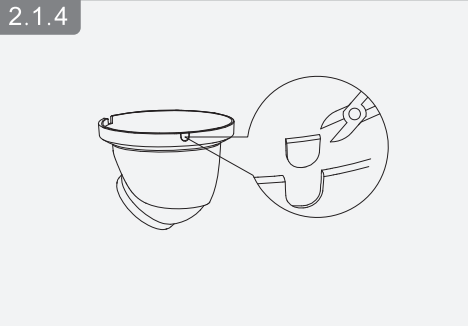
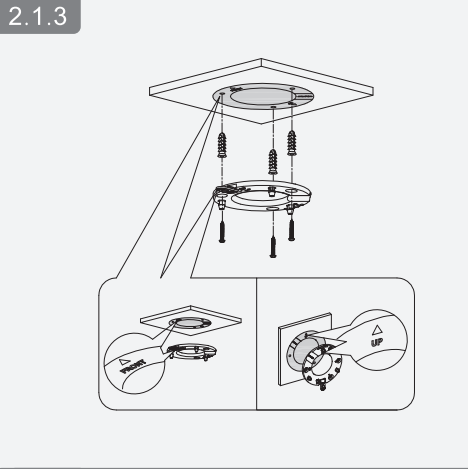
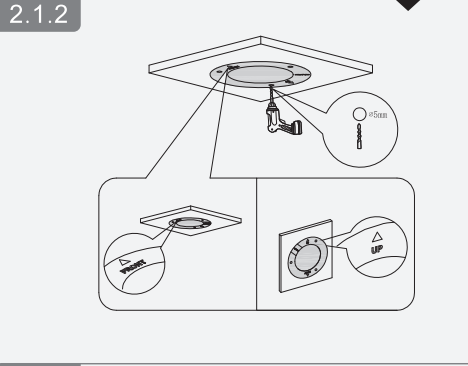
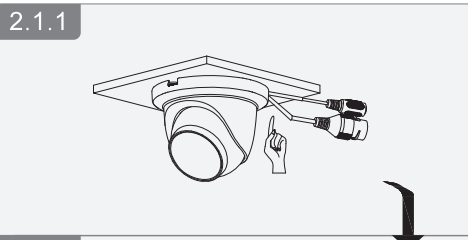
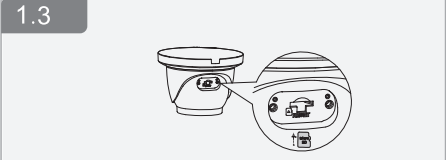
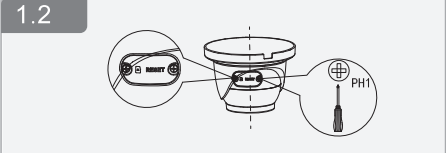
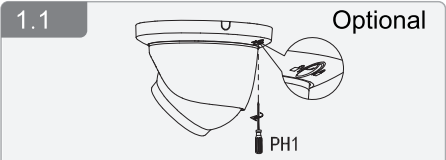
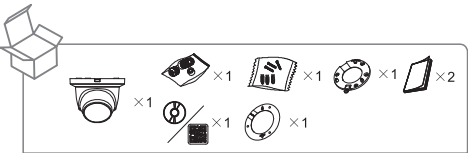


1.2.51.32.15838-000

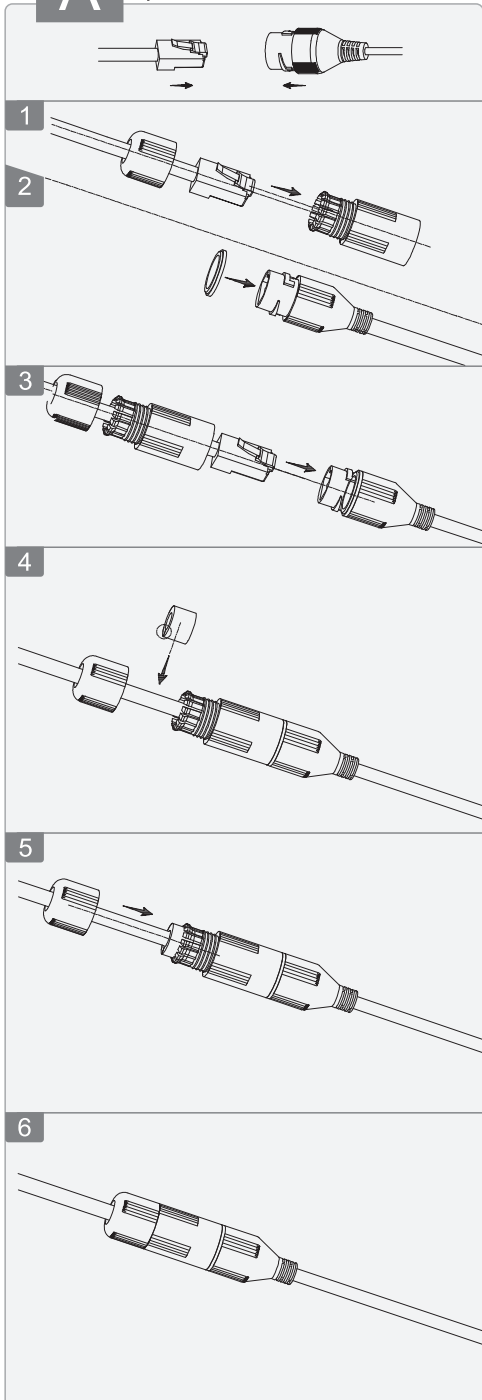
Eyeball Network Camera

Installation Manual

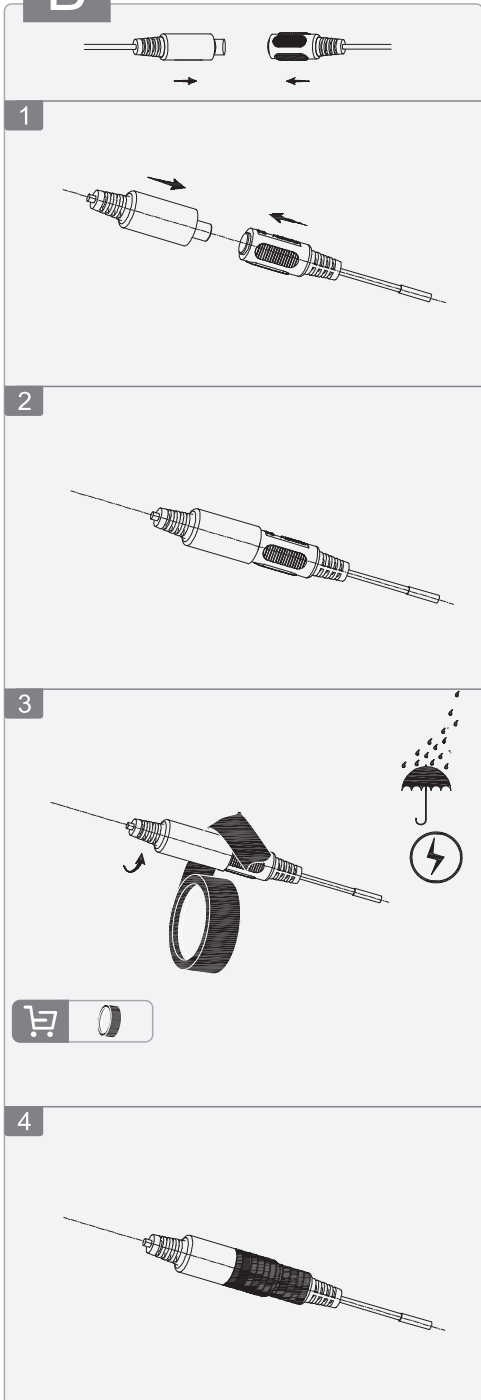
V1.0.0



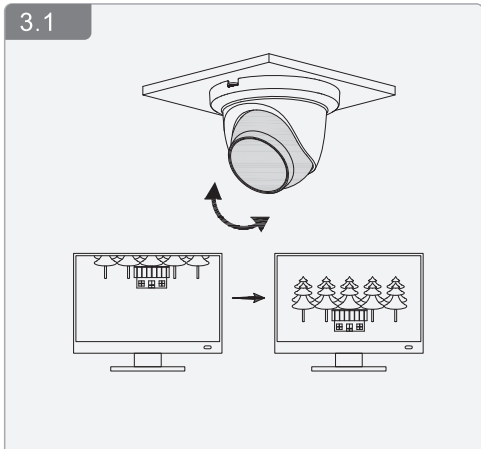
A Optional



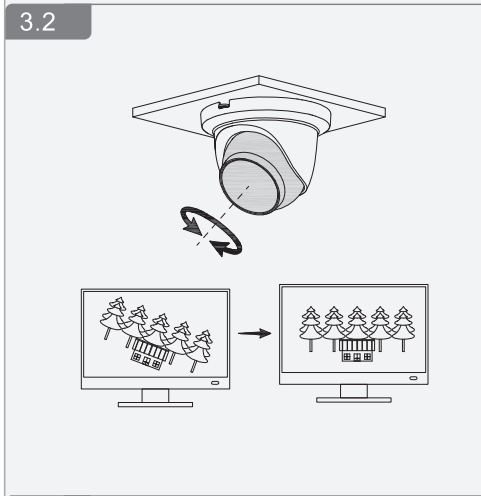
B



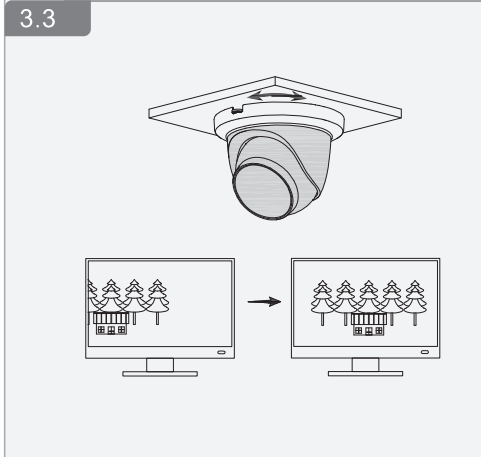
3.1



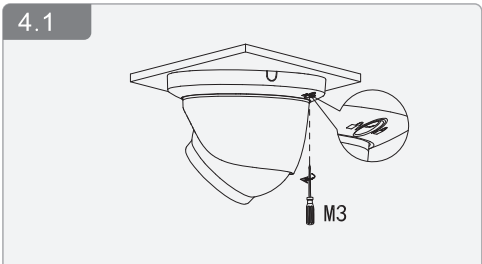
3.2



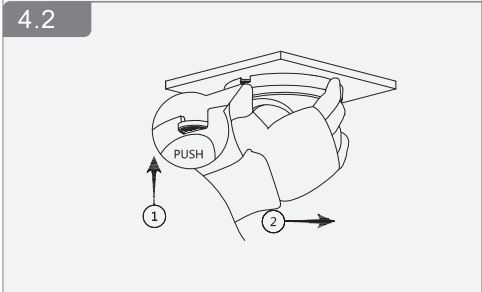
3.3



4.1



4.2



4.3

