

# CF60 with solenoid, for remote opening

## Code

CF6STRSR9ICE

## Performance

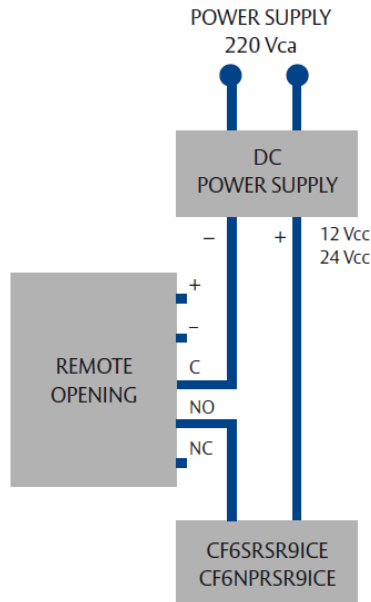
- Locking the cylinder, the external follower of the lock gets blocked and the door can not be opened. However, as it is a panic lock, the door can always be open from inside by activating the lever or the panic exit bar.
- With an electric signal, the electro switch clutches the inner mechanism of the lock allowing the door to be opened from outside operating the lever.
- When the signal disappears, the lock becomes blocked again from outside.



## Certification

- CE mark, according UNE-EN12209 & UNE-EN1125

## Installation



## Electrical consumption

Power Supply
12-24 VDC (-10% / +15%)
Consumption
max 550 mA (12 VDC)
stop 240 mA (12 VDC)
max 270 mA (24 VDC)
stop 110 mA (24 VDC)

## General Dimensions

