

Intelligent Lock Installation Guide v1.0.0

1.2.51.32.10314-001

I Installation Map

*Note: Door opens inward from left.

Specifications of Components		Pulled Pair Screw		Square Rod			Flat Pole	
Key Size		40	70	50	65	110	60	100
T	40~65	○						
	65~95		○					
O	20~35			○				
	35~50				○			
I	20~35			○			○	
	35~50				○			
	35~75							○
	50~95							○

II Component List

a External Panel	b Internal Bottom	c Internal Panel	d Lock Body	f Port Graph	j Key	m Pulled Pair Screw	n Spring
				g User's Manual		o M5*10 or ST4.2*16	
						Metal door only	Wooden door only
			e Hand	h Card	k M5*15	p Square Rod	
				i Battery	l M4*10	q Flat Pole	

III Environment of Installation

Open inward from left	Open inward from right	Open outward from left	Open outward from right
<p>Inside Outside</p> <p>The turning block marked with "W" shall face outward.</p> <p>The bevel faces outward.</p>	<p>Outside Inside</p> <p>The turning block marked with "W" shall face outward.</p> <p>The bevel faces outward.</p>	<p>Inside Outside</p> <p>The turning block marked with "W" shall face outward.</p> <p>The bevel faces inward.</p>	<p>Outside Inside</p> <p>The turning block marked with "W" shall face outward.</p> <p>The bevel faces inward.</p>

IV Change Lock Direction

*Note: Door open direction changes from left inward to right inward.

Change Direction	Complete Status
<p>Component with "W" faces outward</p> <p>1 2 3 4</p>	<p>Two arrows aligned</p>

Steps

*Note: Before installation, confirm direction to open door.

- 1 Confirm door direction. Face surface with "W" on hand outward, bolt download and lock body upright. The lock bolt on the left opens toward right and the lock bolt on the right opens toward left. Bolt surface faces inward if it opens outward and vice versa.
- 2 Loosen the screw on hand.
- 3 Switch the positions of external hand piece with "W" and internal hand piece with "N", and ensure alignment of the arrows, fix them with screws.
- 4 Insert cross screwdriver into the hole, push out bolt hard and rotate 180°.

V Open Hole

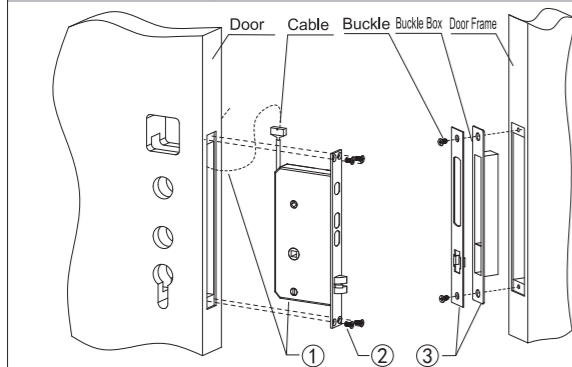
*Note: Door opens inward from left.

Step 1: Cut open hole graph	Step 2: Paste graph aligning with door and door pocket	Step 3: Complete status

Install Lock Body

*Note: Door opens inward from left.

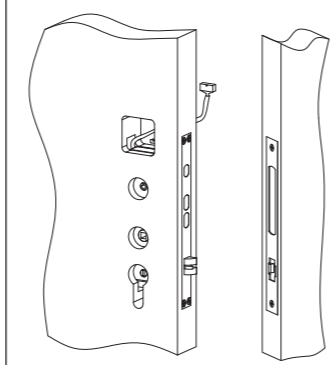
Installation Graph



Steps

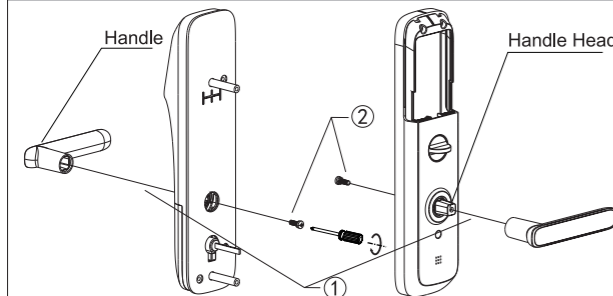
- ① Insert lock body into door after hole is open.
* Note: Before step 1, wire according to the figure.
- ② Fix lock body inside door via 0 screw.
* Note: Confirm unlock function.
- ③ Fix buckle box and buckle via 0 screw.

Complete Status

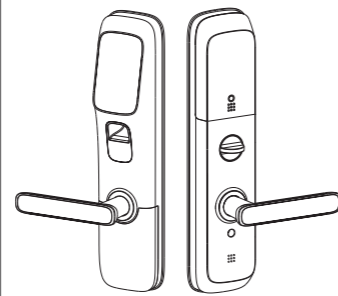


Handle Installation

Left open handle installation



Complete Status

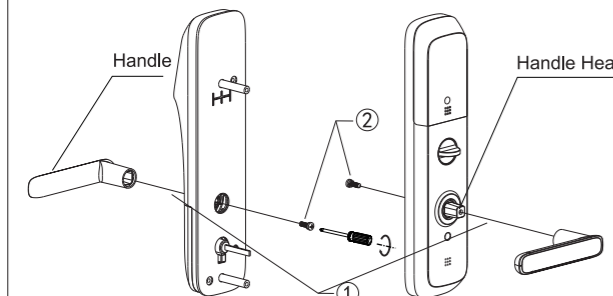


Steps

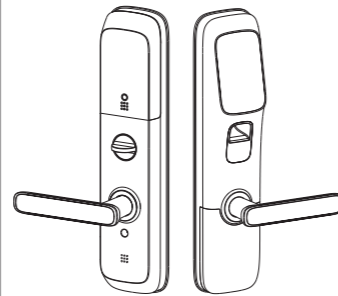
*Note: Confirm door open direction before installation.

- ① Cover handle on handle head according to door open direction.

Right open handle installation



Complete Status

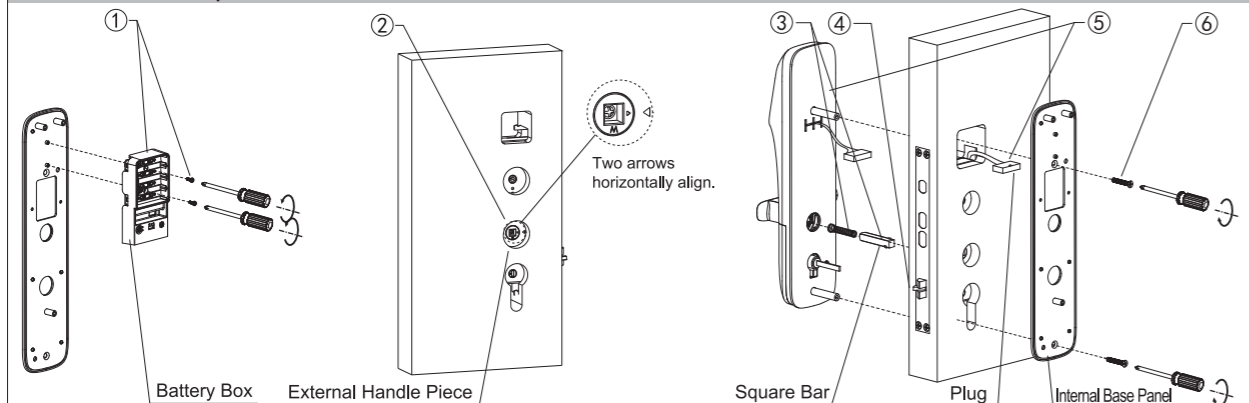


- ② Fix handle on panel with K screw.
* Note: Handle must be secured.

External Panel Installation

*Note: Door opens inward from left.

Installation Steps



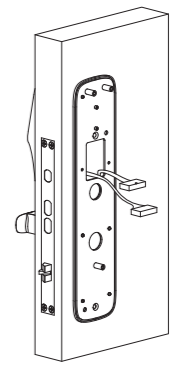
External Panel Installation

*Note: Door opens inward from left.

Steps

- ① Loosen and take down battery box screw, take down battery box;
 - ② Rotate the external hand piece to position where the two arrows align.
 - ③ Place n spring into hand hole (large end face inside), and aim p square rod at the hole on lock, insert it.
 - ④ Aim hand hole at p square rod and aim flat pole at lock pin, insert both separately.
 - ⑤ Close external panel against door, and pull 20PIN plug and lock body through internal panel base separately.
 - ⑥ Fix bases of external panel and internal panel on door with m screw.
- *Note: Hand hole position on base shall be aligned with center of lock hand piece.

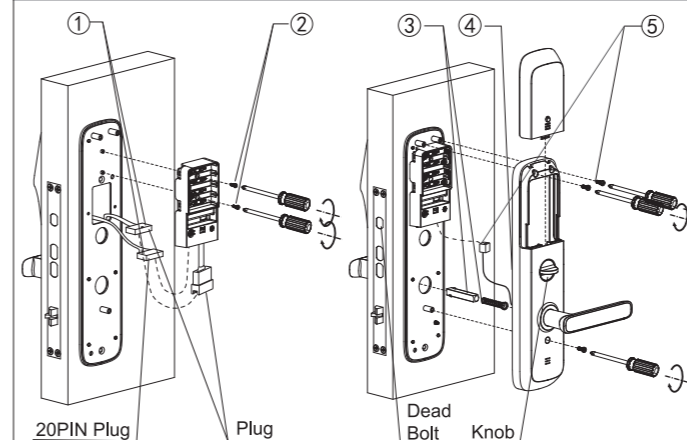
Complete Status



Internal Panel Installation

*Note: Door opens inward from left.

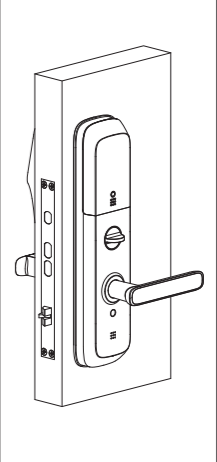
Graph



Steps

- ① Connect lock body plug and install inside door, insert 20PIN plug into slot under battery box.
 - ② Fix battery box at internal panel base with screw.
 - ③ Place n spring into hand hole (large end face inside), and aim p square rod at the square hole on lock, insert square rod.
 - ④ Aim knob flat pole at knob hole on lock, insert flat pole.
 - ⑤ Insert speaker plug into slot on main panel. Close internal panel against door. Fix speaker on internal panel base with I screw.
- *Note: When dead bolt is not ejected, knob is horizontal.

Complete Status



Confirmation

※ After installation, open door and check if the following items are correct:

- If battery model is 4 AA 1.5V alkaline, if installation direction matches standard in box.
- If there is a DI sound after battery is installed with blue light off once.
- Lift internal panel hand, bolt can be ejected. Press to return bolt and latch bolt.
- Lift external panel hand, bolt can be ejected, press it to idle, cannot return bolt and latch bolt.
- Internal panel knob is horizontal when bolt returns, rotating knob can smoothly eject and return bolt.
- Open external panel slide cover, insert mechanical key and rotate, meanwhile press external hand to return bolt and latch bolt.
- Power on to enable touch panel (make palm touch screen and slowly slide), button light up, enter initial password (123456+#) following prompt, press external panel hand to return bolt and latch bolt.
- If door cannot be pushed after closed.
- If all screws are tightened.