

VTM127/VTM128

Mount box



VTM127



VTM128

Technical Specification

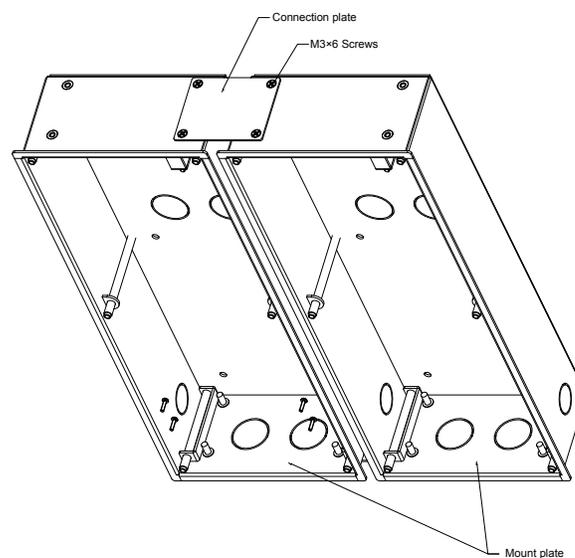
Model	VTM127
Color	Silver
Dimensions	133mm×233.20mm×68.0mm(5.24"×9.18"×2.68")
Installation mode	Supports surface mounting and flush mounting
Panel Material	Aluminum

Model	VTM128
Appearance color	Silver
Dimensions	133mm×333.40mm×68.0mm(5.24"×13.13"×2.68")
Installation mode	Supports surface mounting and flush mounting
Panel Material	Aluminum

Ordering Information

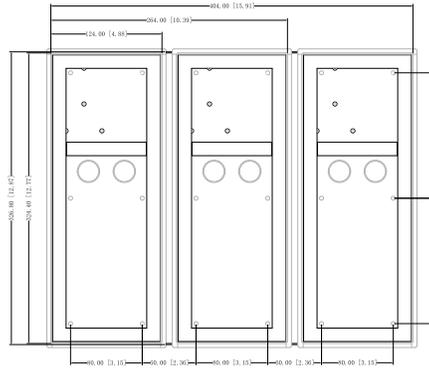
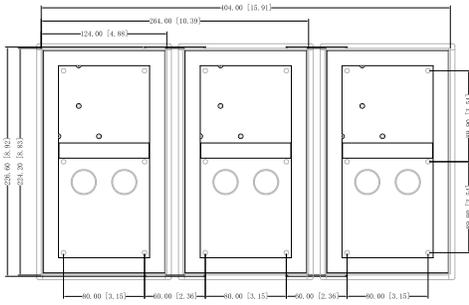
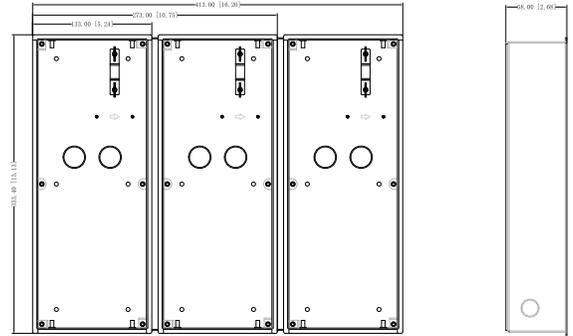
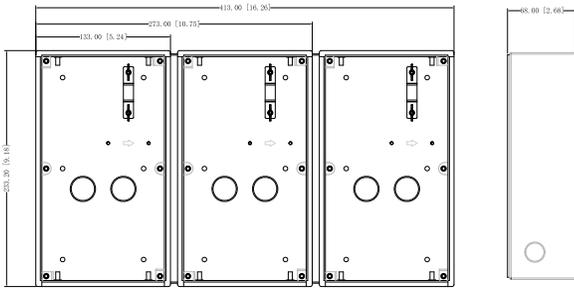
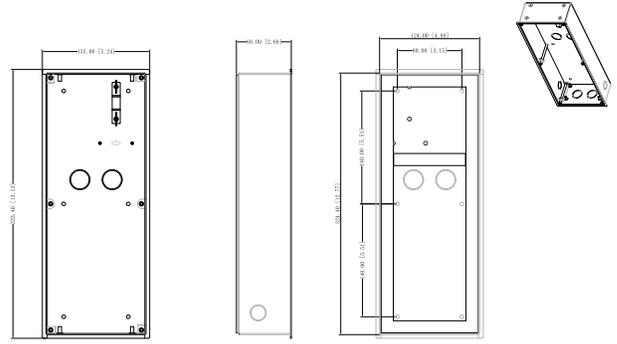
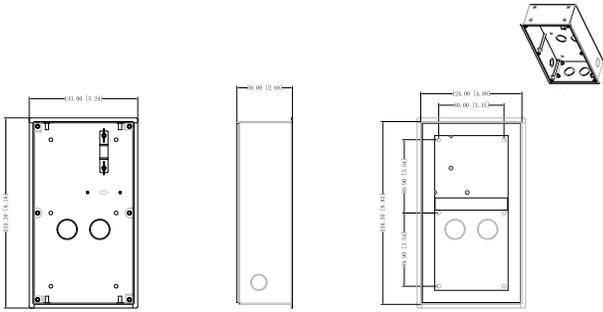
Model	Description
VTM127	2-modular mounting box, used with VTM125, and applicable to VTO4202F-X series
VTM128	3-modular mounting box, used with VTM126, and applicable to VTO4202F-X series

Installation



VTO4 Series | VTM127/VTM128

Dimensions (mm[inch])



VTM127

VTM128