

DH-OTC102

Single Channel HDCVI Optical Transceiver



DH-OTC102T (Transmitter)



DH-OTC102R (Receiver)

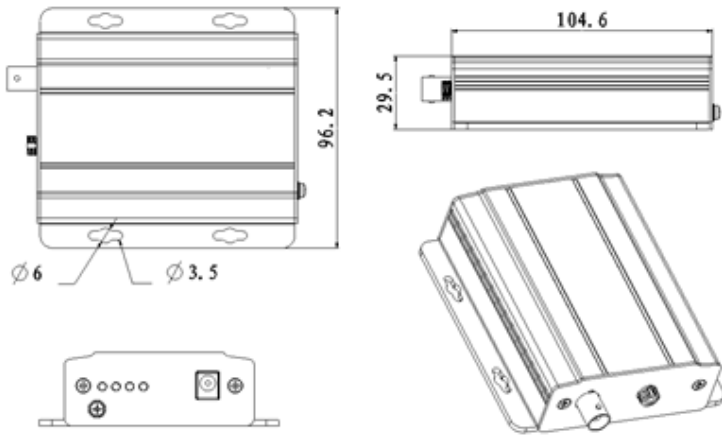
Features

- Lossless non-compression real time transmission
- Auto recognition of input video format as 25/30/50/60fps@720P & 25/30fps@1080P
- UPnP, easy installation
- 4 LED indicators
- Wide-range temperature application: -40°C ~75°C

Technical Specification	
Model	DH-OTC102T/R
Optical Index	
Physical Port	FC port, Single-mode fiber
Transmission Distance	0-20km
Input/ Output Wave Length	Transmitter(OTC102T): 1310nm transmit 1550nm receive Receiver(OTC102R): 1550nm transmit 1310nm receive
HDCVI Video Index	
Transmitter Input Level	>500mVp-p
Receiver Output Level	1Vp-p
Input Auto Cable Balance	1080p: 75-5 coaxial support 300m 720p: 75-5 coaxial support 500m
Transmitter Input Relection Loss	>15dB
Input/Output Impedance	75Ω
Physical Port	BNC port
Input/ Output Port Number	1 ch
Video Bandwidth	45MHz
Sampling Bandwidth	10bit
Sampling Frequency	108MHz

HDCVI Coaxial Control Data Index	
Work Mode	Half-dual
Error Rate	<10 ⁻⁹
Baud Rate	1200-9600bps
Other	
Indicator	Light linker, power, data, video source indicator
Power	DC12V 1A
Power Consumption	≤5W
Working Temperature	-40°C ~75°C
Humidity	10%~90% RH
Weight	200g
Dimension	104.6mm×96.2mm×29.5mm
Installation	Wall mount

Dimensions (mm)



Application

